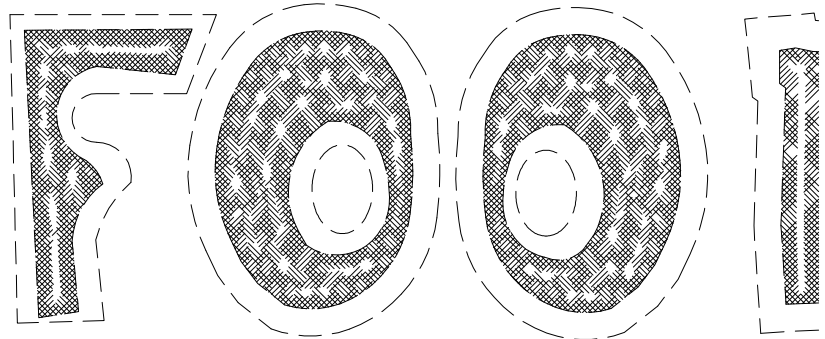
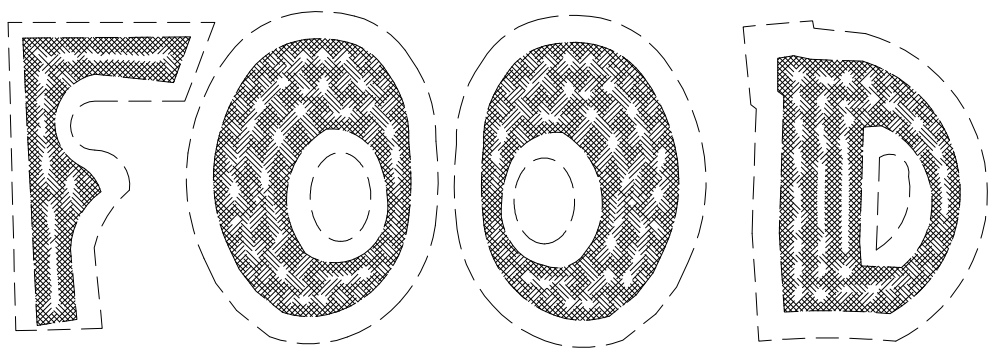
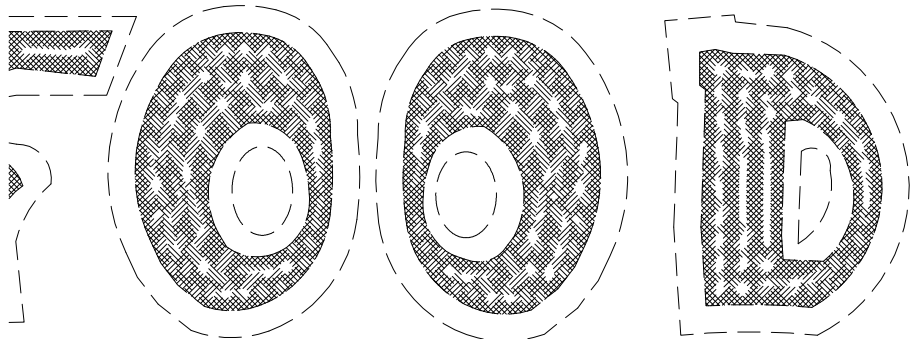


NOTE:

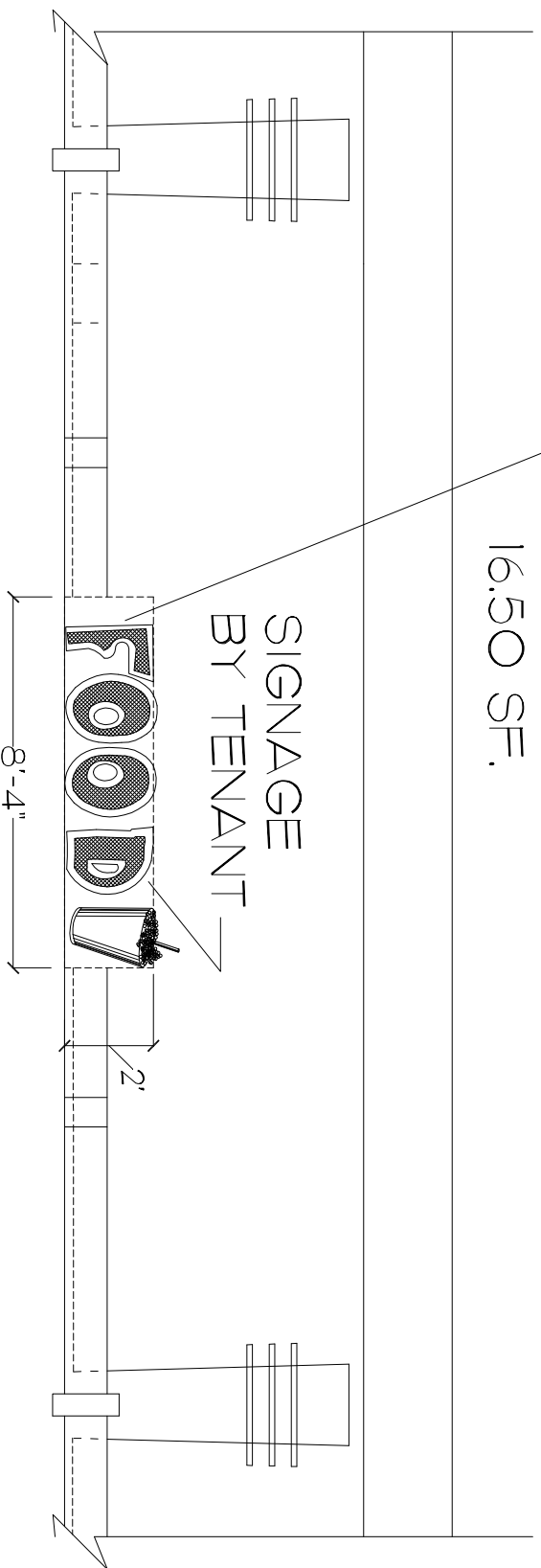
MISC. LAKEWOOD FOOD
COURT SIGNAGE DETAILS



COVER SHEET

LAKEMOOD
FOOD COURT
DETAIL DRAWINGS

MAXIMUM PERMITTED
SIGN AREA FOR ANY
FOOD COURT TENANT:
16.50 SF.



SIGNAGE
BY TENANT

14.A PERMITTED SIGN AREA

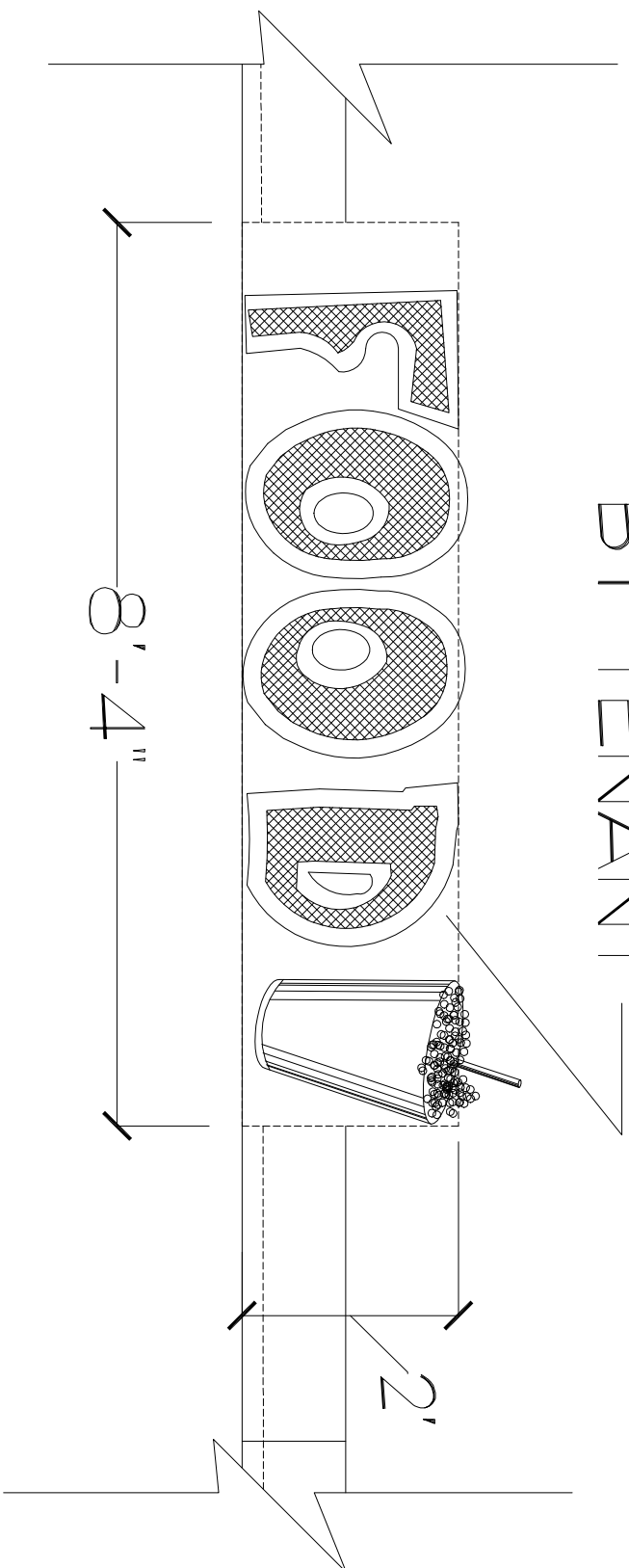
SCALE: N.T.S.

NOTE:
Details on this sheet do not necessarily
apply to all Tenant Spaces. Tenants are
required to verify which conditions exist
in their specific location. This plan is
not to be scaled.



LAKEWOOD
FOOD COURT
DETAIL DRAWINGS

SIGNAGE
BY TENANT



14.B PERMITTED SIGN AREA

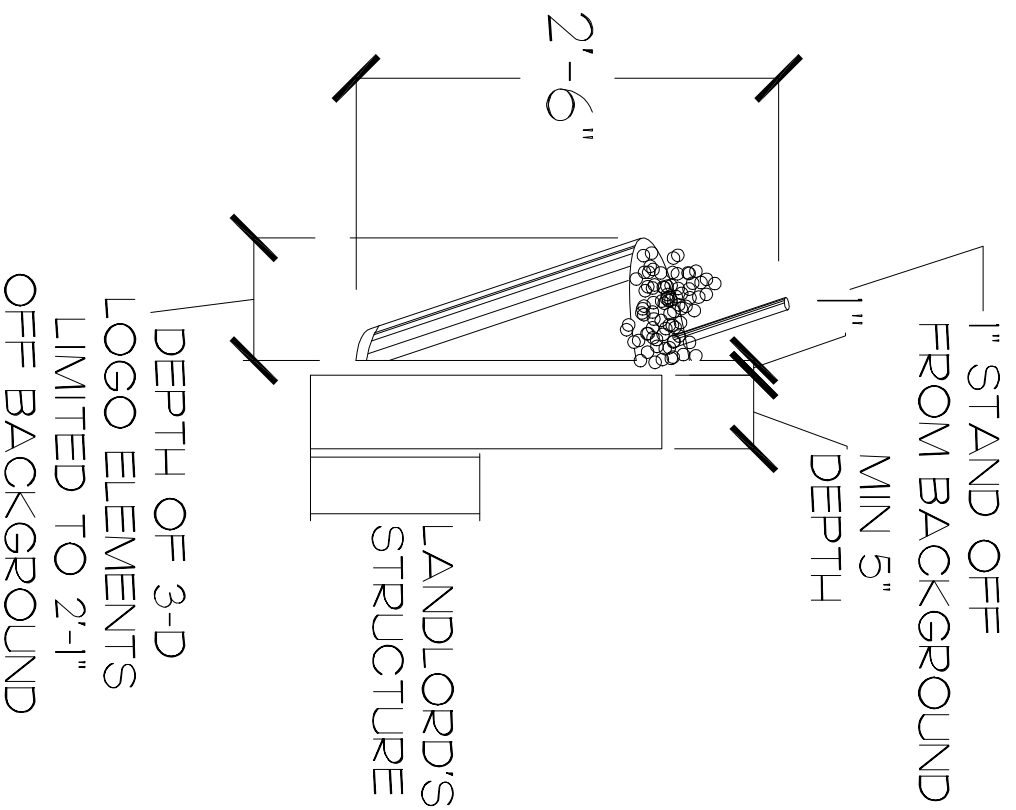
SCALE: N.T.S.



The Macerich
Company

NOTE:
Details on this sheet do not necessarily apply to all Tenant Spaces. Tenants are required to verify which conditions exist in their specific location. This plan is not to be scaled.

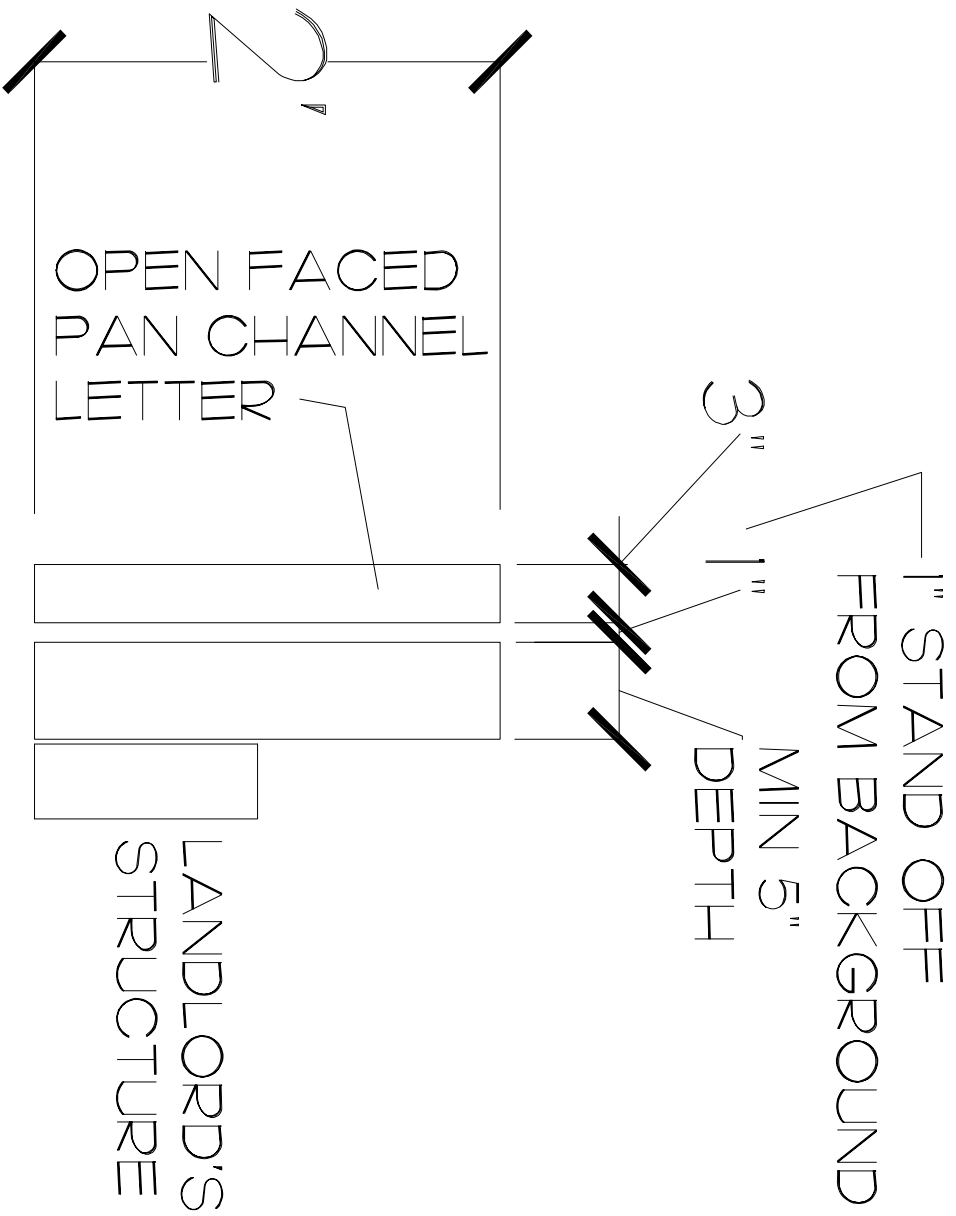
LAKEMOOD FOOD COURT DETAIL DRAWINGS



14.D LOGO INFO.

SCALE: N.T.S.

LAKEWOOD
FOOD COURT
DETAIL DRAWINGS



14.E LETTER INFO.

SCALE: N.T.S.



NOTE:
Details on this sheet do not necessarily apply to all Tenant Spaces. Tenants are required to verify which conditions exist in their specific location. This plan is not to be scaled.