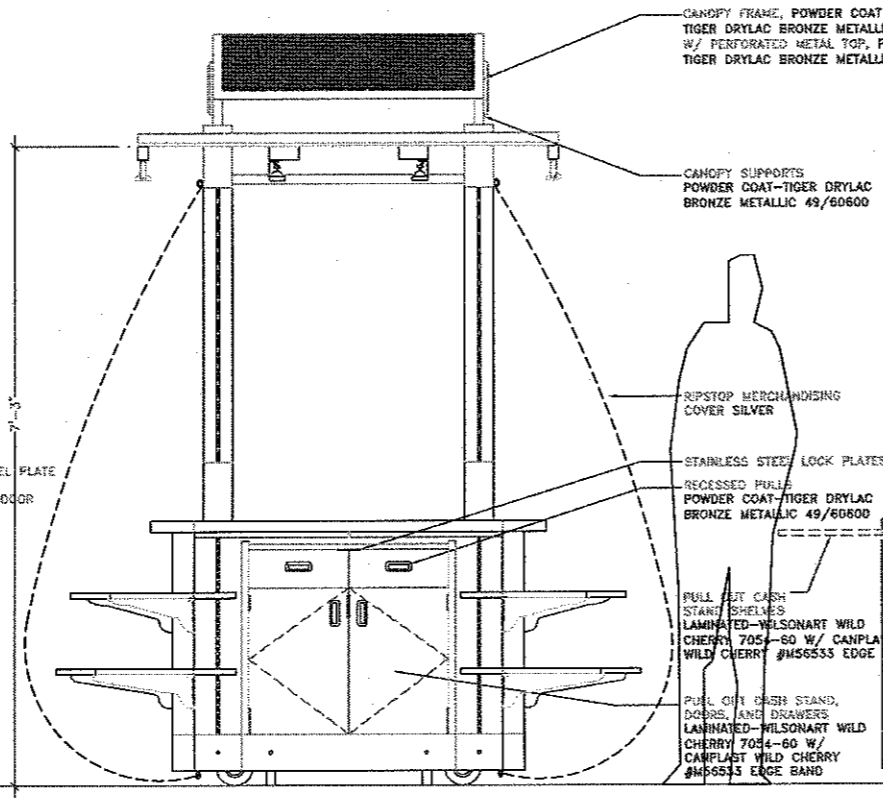
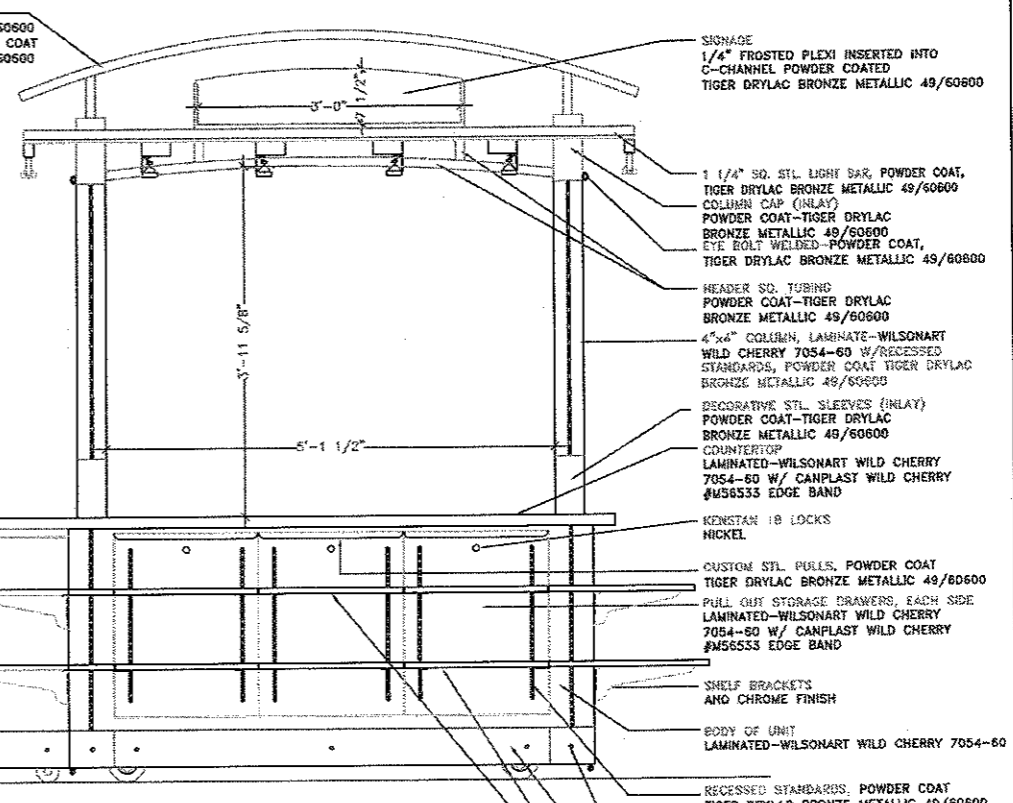


ELEVATION 3  
SCALE: 1"=1'-0"



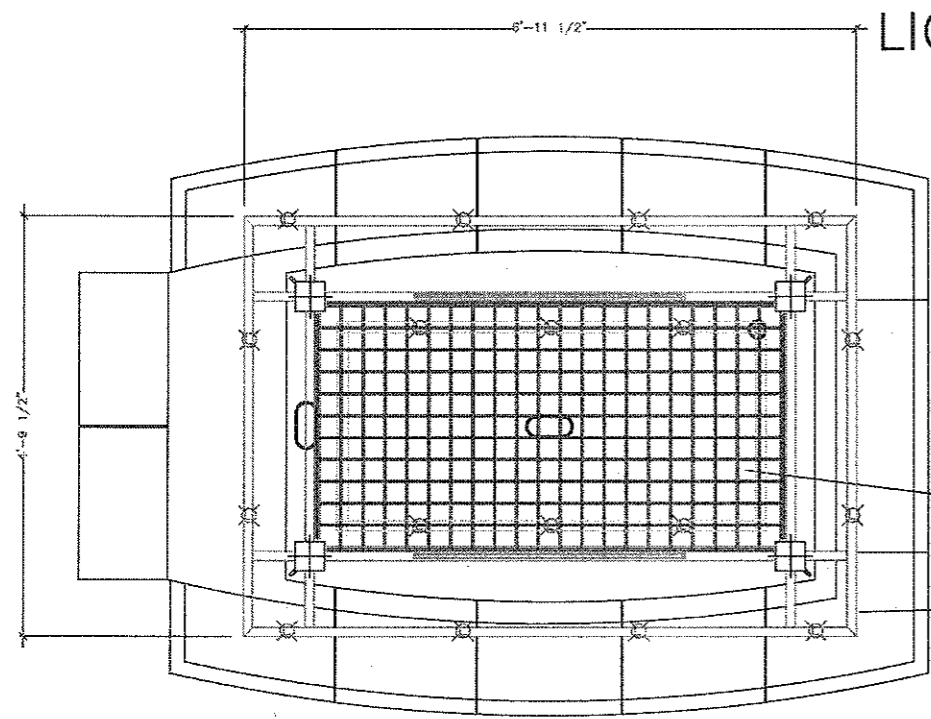
ELEVATION 2



ELEVATION 1  
SCALE: 1"=1'-0"

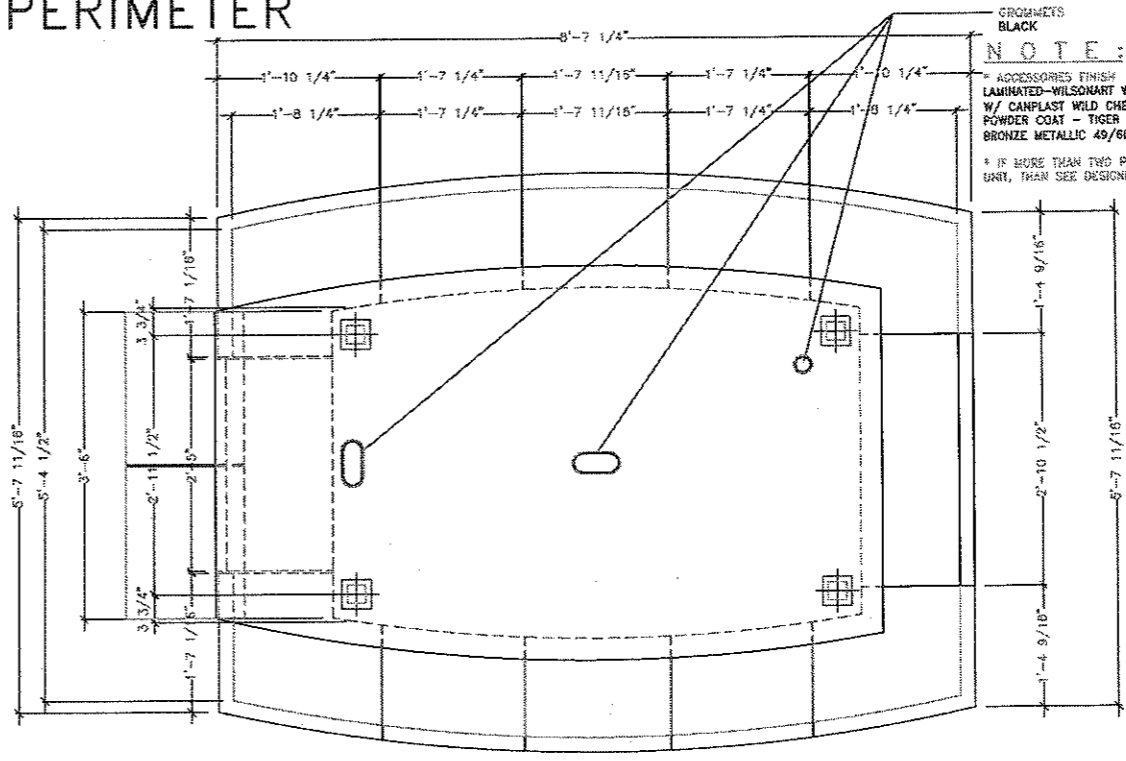
WILMORITE; EASTVIEW MALL  
ELLIPTICAL WITH SQUARE COLUMNS,  
SIDE DRAWERS AND PERIMETER  
LIGHTBAR

- NOTES:
- \* INSTALL APPLIANCE PLUG INSTEAD OF DIMENSION CORD PLUG.
  - \* APPLY CABLE/UTILITY CLIPS FOR ELECTRICAL CHASE.
  - \* INSTALL PHONE JACK
  - \* INSTALL TRASH CAN
  - \* INSTALL BAG HOOK KNAPE & VOIGHT 1132NP-4" LONG ON INSIDE OF RIGHT HAND DOOR OF THE CASH STAND.



REFLECTED CEILING PLAN  
SCALE: 1"=1'-0"

- 3" x 3" x 1/4" WIRE GRID, POWDER COAT-TIGER DRYLAC BRONZE METALLIC 49/60600 WITH (QTY.6) BLACK MR16 LIGHT FIXTURES MOUNTED TO TRACK ON GRID.
- (QTY. 12) BLACK MR16 LIGHT FIXTURES



PLAN @ COUNTER  
SCALE: 1"=1'-0"

NOTE:  
\* ACCESSORIES FINISH LAMINATED-WILSONART WILD CHERRY 7054-60 W/ CANPLAST WILD CHERRY #M56533 EDGE BAND  
\* IF MORE THAN TWO POWDER COATS ON UNIT, THEN SEE DESIGNER

- CANOPY FRAME, POWDER COAT TIGER DRYLAC BRONZE METALLIC 49/60600 W/ PERFORATED METAL TOP, POWDER COAT TIGER DRYLAC BRONZE METALLIC 49/60600
- CANOPY SUPPORTS POWDER COAT-TIGER DRYLAC BRONZE METALLIC 49/60600
- SUPSTOP MERCHANDISING COVER SILVER
- STAINLESS STEEL LOCK PLATES
- RECESSED PULLS POWDER COAT-TIGER DRYLAC BRONZE METALLIC 49/60600
- PULL OUT CASH STAND SHELVES LAMINATED-WILSONART WILD CHERRY 7054-60 W/ CANPLAST WILD CHERRY #M56533 EDGE BAND
- PULL OUT CASH STAND DOORS AND DRAWERS LAMINATED-WILSONART WILD CHERRY 7054-60 W/ CANPLAST WILD CHERRY #M56533 EDGE BAND
- SIGNAGE 1/4" FROSTED PLEXI INSERTED INTO C-CHANNEL POWDER COATED TIGER DRYLAC BRONZE METALLIC 49/60600
- 1 1/4" SQ. STL. LIGHT BAR, POWDER COAT, TIGER DRYLAC BRONZE METALLIC 49/60600 COLUMN CAP (INLAY) POWDER COAT-TIGER DRYLAC BRONZE METALLIC 49/60600 EYE BOLT WELDED-POWDER COAT, TIGER DRYLAC BRONZE METALLIC 49/60600
- HEADER SQ. TUBING POWDER COAT-TIGER DRYLAC BRONZE METALLIC 49/60600
- 4"x4" COLUMN, LAMINATE-WILSONART WILD CHERRY 7054-60 W/ RECESSED STANDARDS, POWDER COAT TIGER DRYLAC BRONZE METALLIC 49/60600
- DECORATIVE STL. SLEEVES (INLAY) POWDER COAT-TIGER DRYLAC BRONZE METALLIC 49/60600
- COUNTERTOP LAMINATED-WILSONART WILD CHERRY 7054-60 W/ CANPLAST WILD CHERRY #M56533 EDGE BAND
- KINGSTAN 18 LOCKS NICKEL
- CUSTOM STL. PULLS, POWDER COAT TIGER DRYLAC BRONZE METALLIC 49/60600
- PULL OUT STORAGE DRAWERS, EACH SIDE LAMINATED-WILSONART WILD CHERRY 7054-60 W/ CANPLAST WILD CHERRY #M56533 EDGE BAND
- SHELF BRACKETS AND CHROME FINISH
- BODY OF UNIT LAMINATED-WILSONART WILD CHERRY 7054-60
- RECESSED STANDARDS, POWDER COAT TIGER DRYLAC BRONZE METALLIC 49/60600
- BOLTS-POWDER COAT TIGER DRYLAC BRONZE METALLIC 49/60600
- 16 GA. STL. BASE, POWDER COAT TIGER DRYLAC BRONZE METALLIC 49/60600
- ADJUSTABLE SHELVING LAMINATED-WILSONART WILD CHERRY 7054-60 W/ CANPLAST WILD CHERRY #M56533 EDGE BAND
- GROMMETS BLACK

CLIENT: WILMORITE  
JOB DESCRIPTION: EASTVIEW MALL

ELLIPTICAL RMU  
JOB NUMBER: 2034268  
SUB-JOB NUMBER: N/A

DATE: 09.08.03  
DESIGNED BY: LT  
DRAWN BY: KD

SHEET NUMBER: 1 OF 1 SHEETS  
REVISIONS: 09.19.03 KD

SCALE: 1"=1'-0"  
QTY. 10

This drawing is the property of T. L. Horton Design, Inc. and may not be reproduced or copied in whole or in part. Its unauthorized use on any other project may be subject to penalty by law.

DESIGN APPROVAL BY: TLH  
CLIENT:

FABRICATION APPROVAL BY: TLH  
W.KROHN

- \* ELLIPTICAL BASE
- \* SQUARE POSTS
- \* SIDE DRAWERS
- \* ELLIPTICAL RACE TRACK

WILMORITE MALL  
EASTVIEW MALL  
ELLIPTICAL RMU