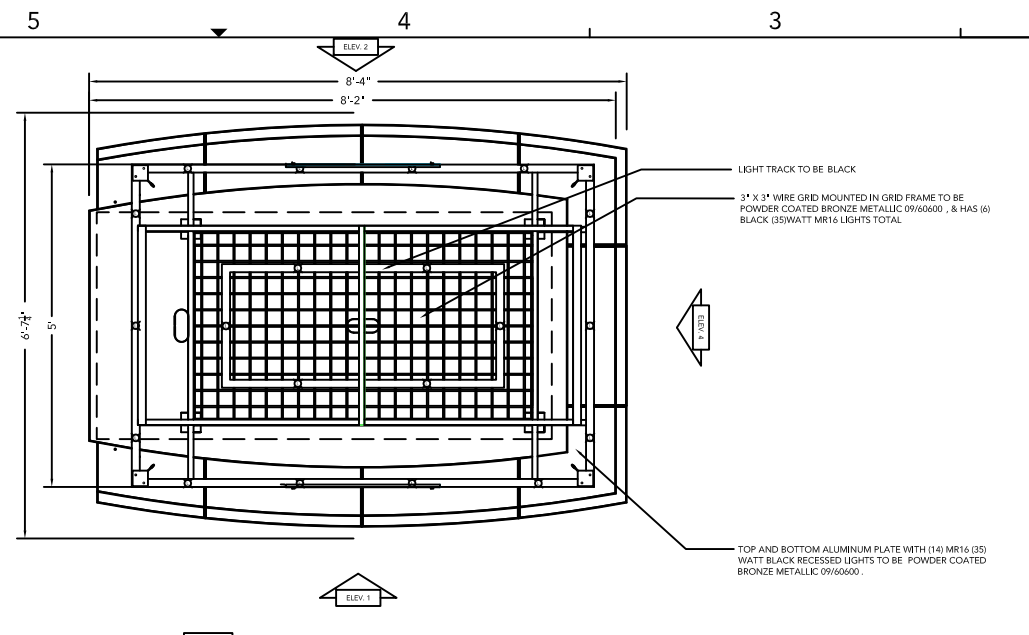
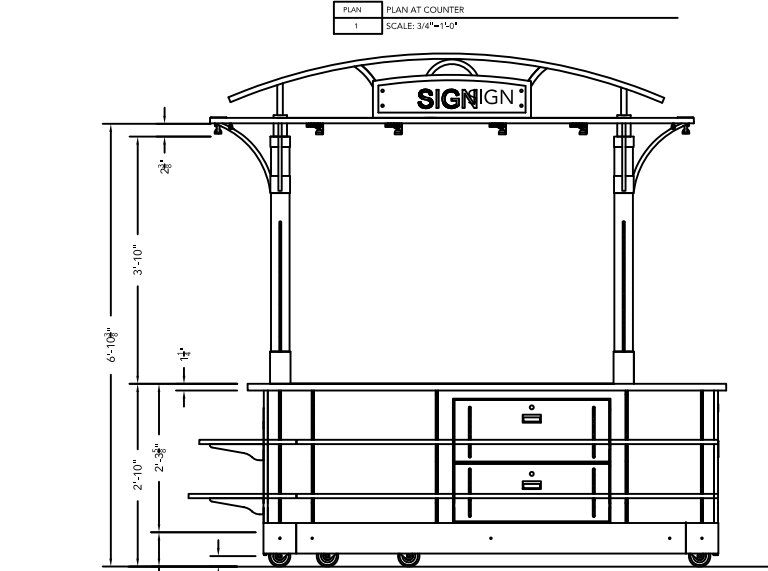


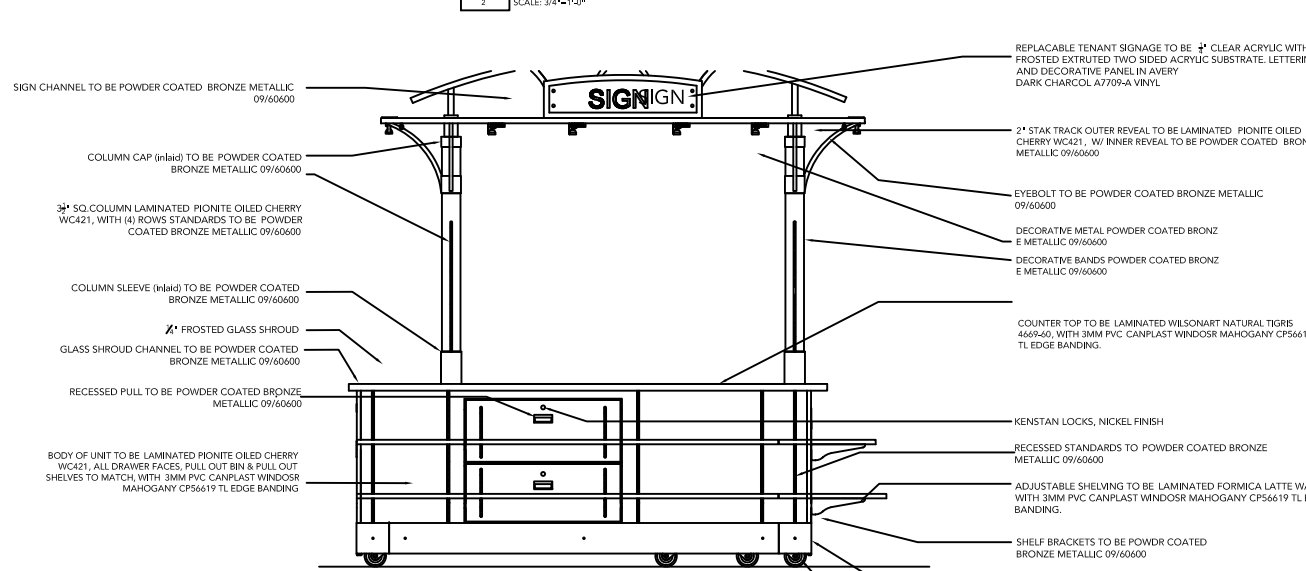
PLAN 1 PLAN AT COUNTER
SCALE: 3/4"=1'-0"



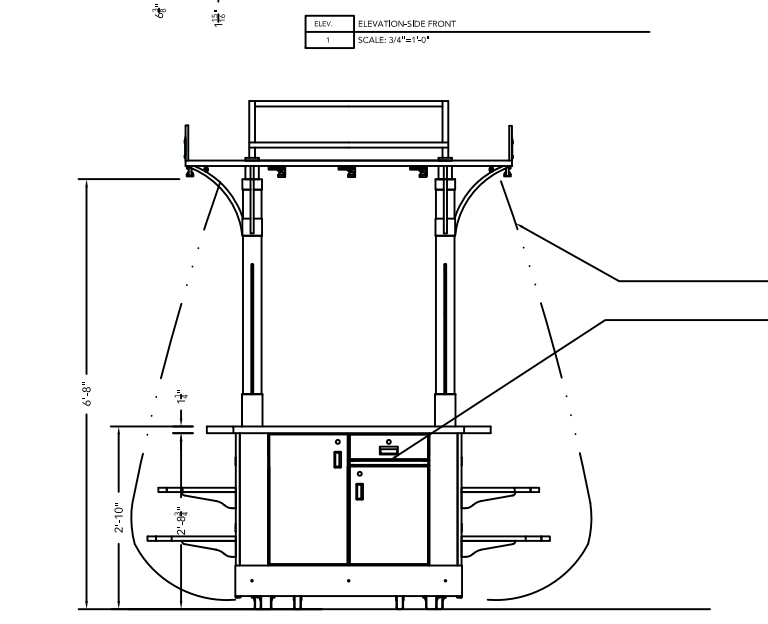
PLAN 2 PLAN @ CANOPY
SCALE: 3/4"=1'-0"



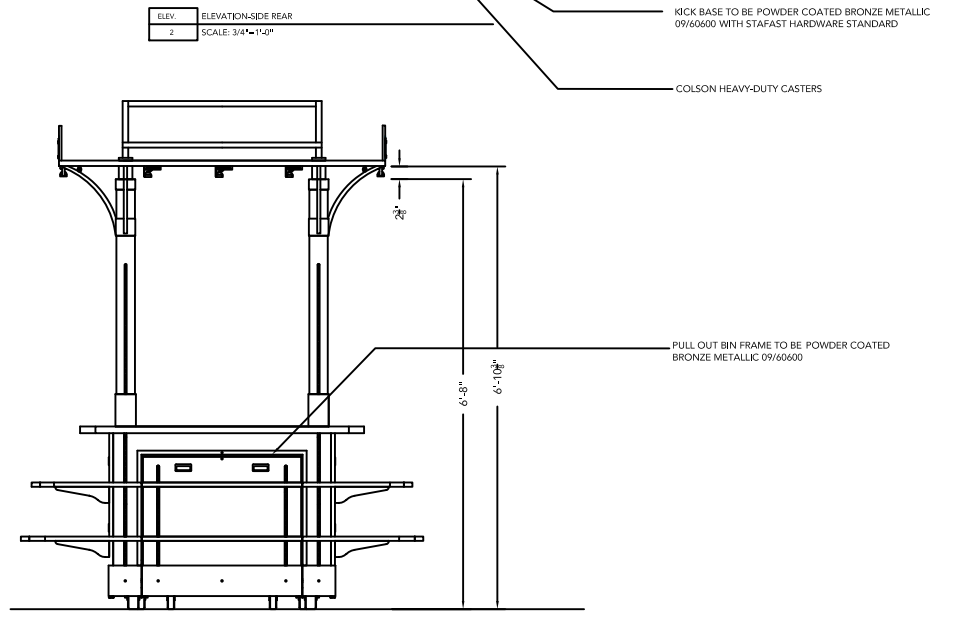
ELEV 1 ELEVATION-SIDE FRONT
SCALE: 3/4"=1'-0"



ELEV 2 ELEVATION-SIDE REAR
SCALE: 3/4"=1'-0"



ELEV 3 ELEVATION-CASH STAND
SCALE: 3/4"=1'-0"



ELEV 4 ELEVATION-STORAGE END
SCALE: 3/4"=1'-0"

REVISIONS					
ZONE	REV	DESCRIPTION	DATE	DETAILER	
A1	1				
FINISHES					
SUB-ASSEMBLY	DESIGNATION	DESCRIPTION	BRAND	MATERIAL	
				COLOR	NUMBER
Base	Kick Base	POWDER COATED BRONZE METALLIC 09/60600			
	Bolts to Kick Base	STAFFAST HARDWARE STANDARD			
	Body of Unit Base	LAMINATED PIONITE OILED CHERRY WC421			
	Pull out Bin Frame	POWDER COATED BRONZE METALLIC 09/60600			
	Edge Banding-doors	3MM PVC CANPLAST WINDOSR MAHOGANY CP56619 TL			
	Edge Banding-drawers	3MM PVC CANPLAST WINDOSR MAHOGANY CP56619 TL			
	Edge Banding-Bin	3MM PVC CANPLAST WINDOSR MAHOGANY CP56619 TL			
	Shelving	LAMINATED PIONITE OILED CHERRY WC421			
	Shelving-Edge Banding	3MM PVC CANPLAST WINDOSR MAHOGANY CP56619 TL			
	Pulls	POWDER COATED BRONZE METALLIC 09/60600			
	Locks	NICKEL FINISH			
	Standards	POWDER COATED BRONZE METALLIC 09/60600			
	Grommets	BLACK			
	Counter Top	LAMINATED FORMICA LATTE WALNUT 6931-NT			
	Counter Top-Edge	3MM PVC CANPLAST WINDOSR MAHOGANY CP56619 TL			
Shroud	Glass Channel	POWDER COATED BRONZE METALLIC 09/60600			
	Glass	1/4" TEMPERED FROSTED GLASS			
Square Columns	Metal Sleeve (inlet)	POWDER COATED BRONZE METALLIC 09/60600			
	Columns	LAMINATED PIONITE OILED CHERRY WC421			
	Column Cap (inlet)	POWDER COATED BRONZE METALLIC 09/60600			
	Standards	POWDER COATED BRONZE METALLIC 09/60600			
	Eye Bolt	POWDER COATED BRONZE METALLIC 09/60600			
	DECORATIVE BANDS	POWDER COATED BRONZE METALLIC 09/60600			
Stak Track	(outer) Reveal	LAMINATED PIONITE OILED CHERRY WC421			
	(inner) Reveal	POWDER COATED BRONZE METALLIC 09/60600			
	Top & Bottom Plates	POWDER COATED BRONZE METALLIC 09/60600			
	Recessed Light Fixture	(14) 35 WATT MR16 LIGHTS BLACK			
	Type of Light Bulbs	35 WATT MR16 LIGHTS			
	Logo Substrate	1/4" FROSTED EXTRUDED ONE SIDED ACRYLIC			
	Sign Frame Channel	POWDER COATED BRONZE METALLIC 09/60600			
Tenant Sign	Sign Replacement Panel	1/4" Clear Acrylic			
	Sign Substrate	1/4" FROSTED EXTRUDED TWO SIDED ACRYLIC			
	Sign Frame Channel	POWDER COATED BRONZE METALLIC 09/60600			
	Logo & Dec. Panel	VINYL AVERY DARK CHARCOL A7709-A			
Canopy	Grid Frame	POWDER COATED BRONZE METALLIC 09/60600			
	Track Lighting Track	BLACK			
	Track Lighting Lights	(6) BLACK FIXTURES WITH 35 WATT LIGHT BULBS			
	Decorative Metal	POWDER COATED BRONZE METALLIC 09/60600			

FABRICATION NOTE:

- *KIOSK FIRE RATED TO CLASS B STANDARD WITH INSPECTA-SHIELD FIRE RETARDANT.
- *KIOSK ELECTRICAL RATED FOR 120V/20AMP/60HZ.
- *INSTALL APPLIANCE PLUG INSTEAD OF TALL EXTENSION CORD PLUG.
- *APPLY CABLE UTILITY CLIPS FOR ELECTRICAL CHASE.
- *INSTALL PHONE JACK WITH MULTIPLE LINE SPLIT.
- *INSTALL TRASH CAN.
- *INSTALL INSIDE OF LEFT HAND DOOR IN THE CASH STAND BAG HOOK, KNAFE & VOGHT 1132NP - 4" LONG.
- *KIOSK SOFT SECURITY COVER FIRE RATED TO CPA84-FIRE RETARDANT.

STAK DESIGN

PROJECT: STONES RIVER MALL

CLIENT: STANWOOD

DATE: 08-20-2007

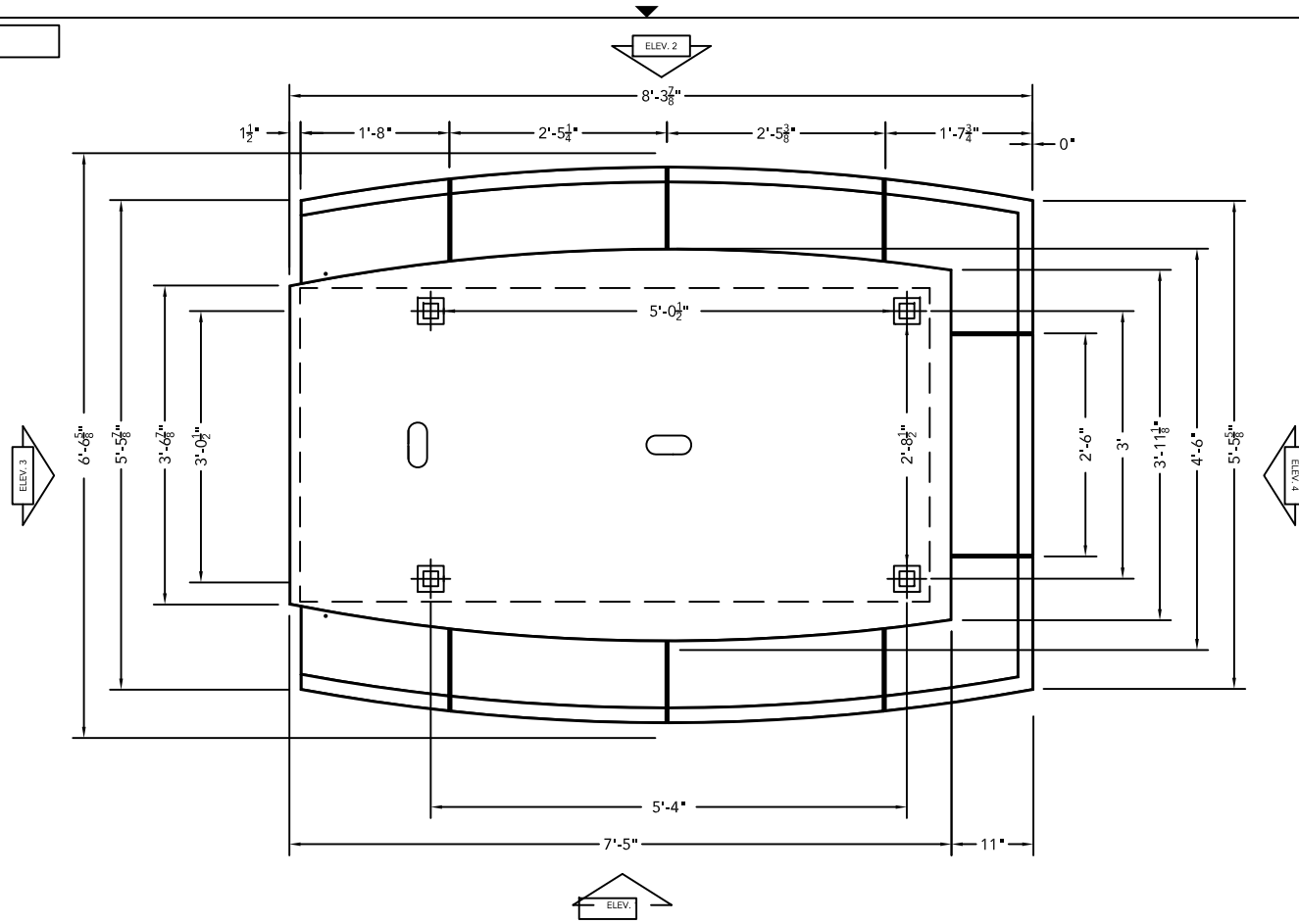
SCALE: 1/4" = 1'-0"

14

1 OF 1

STAK DESIGN INC.
1540 LUNA ROAD
CARROLLTON, TX 75006
972-393-0100
WWW.STAKDESIGN.COM

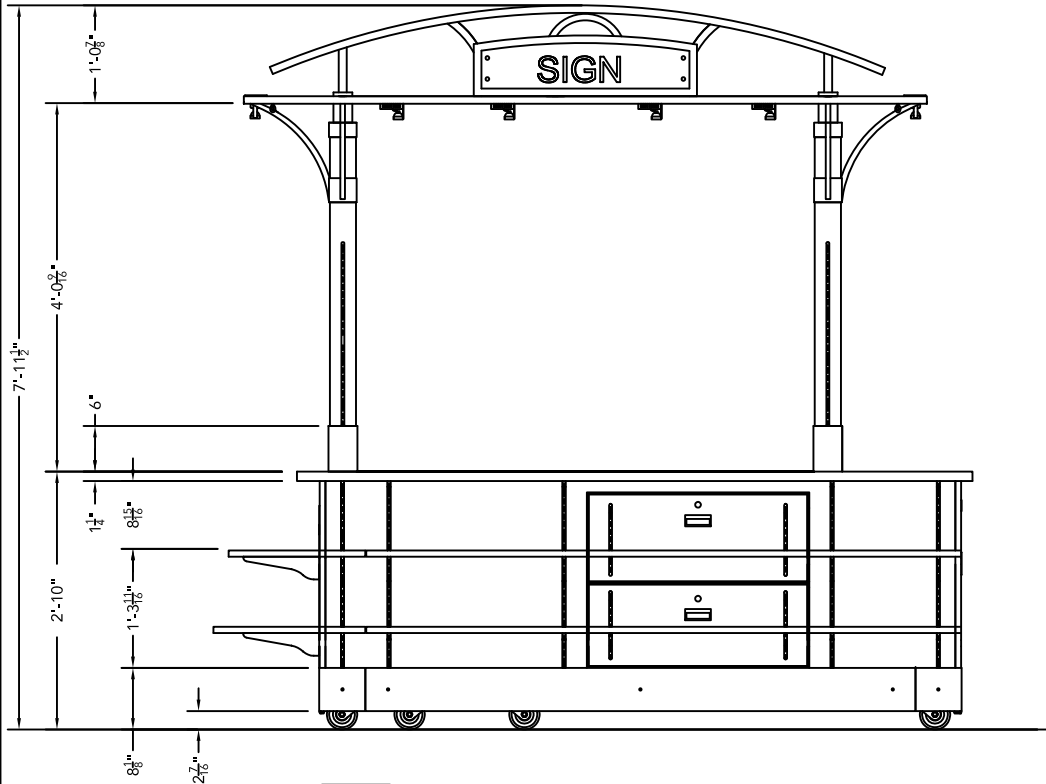
merchandising diagram



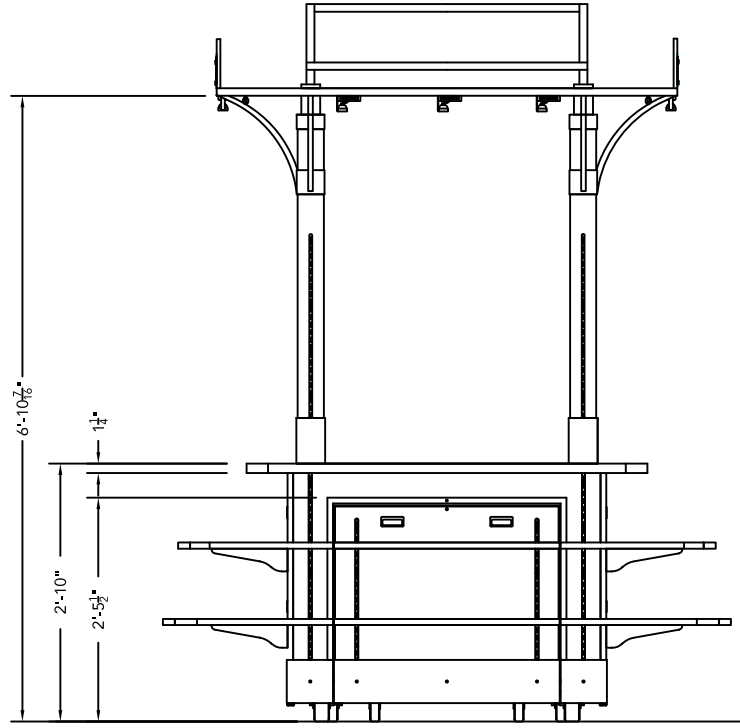
PLAN 1 PLAN AT COUNTER
SCALE: 3/4"=1'-0"

		DATE: 06-28-2007
		DATE: 06-28-2007
MACERICH PROJECT:		SHEET: 8 TOTAL SHEETS: 1 of 2
DANBURY FAIR MALL PROJECT:		PROJECT: STANWOOD W/ SQUARE COLUMNS
STANWOOD PROJECT:	PROJECT MANAGER: D. JAMBENT PROJECT: STAK DESIGN INC. 1540 LUNA ROAD CARROLLTON, TX 75006	PROJECT: STANWOOD W/ SQUARE COLUMNS PROJECT: STAK DESIGN INC. 1540 LUNA ROAD CARROLLTON, TX 75006
DESIGNER: G. BECERRA PROJECT:	PROJECT MANAGER: D. JAMBENT PROJECT: STAK DESIGN INC. 1540 LUNA ROAD CARROLLTON, TX 75006	PROJECT: STANWOOD W/ SQUARE COLUMNS PROJECT: STAK DESIGN INC. 1540 LUNA ROAD CARROLLTON, TX 75006
DATE:	DATE:	PROJECT: STANWOOD W/ SQUARE COLUMNS PROJECT: STAK DESIGN INC. 1540 LUNA ROAD CARROLLTON, TX 75006
WWW.STAKDESIGN.COM		PROJECT: STANWOOD W/ SQUARE COLUMNS PROJECT: STAK DESIGN INC. 1540 LUNA ROAD CARROLLTON, TX 75006

merchandising diagram



ELEV. ELEVATION-SIDE FRONT
1 SCALE: 3/4"=1'-0"



ELEV. ELEVATION-STORAGE END
4 SCALE: 3/4"=1'-0"

		SHEET NO: SD-2447 DATE: 06-28-2007
		PROJECT: STANWOOD-W/ SQUARE COLUMNS
PROJECT NAME: DANBURY FAIR MALL		SHEET NO: 8 OF 2
DESIGNER: G. BECERRA	PROJECT MANAGER: J. MCELLER	PROJECT ARCHITECT: D. ZABENT
THE DRAWING AND THE INFORMATION CONTAINED HEREIN IS THE PROPERTY OF STAK DESIGN, INC. IT MAY NOT BE REPRODUCED OR COPIED IN WHOLE OR IN PART. ANY UNAUTHORIZED USE ON ANY OTHER PROJECT MAY BE SUBJECT TO PROSECUTION BY LAW.		
COMPANY: STAK DESIGN INC. 1540 LUNA ROAD CARROLLTON, TX 75006		PHONE: 972-323-0100 FAX: 972-323-0126 WWW.STAKDESIGN.COM

Sample Board



PIONITE
OILED CHERRY
WC 421

BODY OF UNIT
COLUMNS



CANPLAST
PEARWOOD
CP 5214 TL

SHELF EDGES
DOORS
DRAWERS
COUNTER TOP EDGE



POWDER COAT
BRONZE METALLIC 09/60600

ALL METAL WORK



LOEWENSTEIN
SF4990

CHAIR



CAFE TWO



NAUGAHYDE
MOCHA
US 381
SEAT

STAK DESIGN

<small>CLIENT:</small> MACERICH		<small>JOB NUMBER:</small> R17 2647	<small>DATE:</small> 07.26.2007
<small>JOB NAME:</small> DANBURY FAIR MALL		<small>NOOR TYPE:</small> STANWOOD W/ SQUARE COLUMNS	
<small>JOB DESCRIPTION:</small> SAMPLEBOARD		<small>CITY:</small> 8	
<small>DESIGNER:</small> G. BECERRA	<small>PROJECT ENGINEER:</small> J. MOELLER	<small>PROJECT MANAGER:</small> D. ARIENT	
<small>DATE:</small> 	<small>DATE:</small> 	<small>FACTORY:</small> STAK DESIGN INC. 1540 LUNA ROAD CARROLLTON, TX 75006 <small>PHONE:</small> 972.323.0100 <small>FAX:</small> 972.323.0126 <small>WEB:</small> WWW.STAKDESIGN.COM	
<small>This drawing, and the information contained herein, is the property of STAK Design INC. It may not be reproduced or copied in whole or in part. Any unauthorized use on any other project may be subject to penalty by law.</small>			