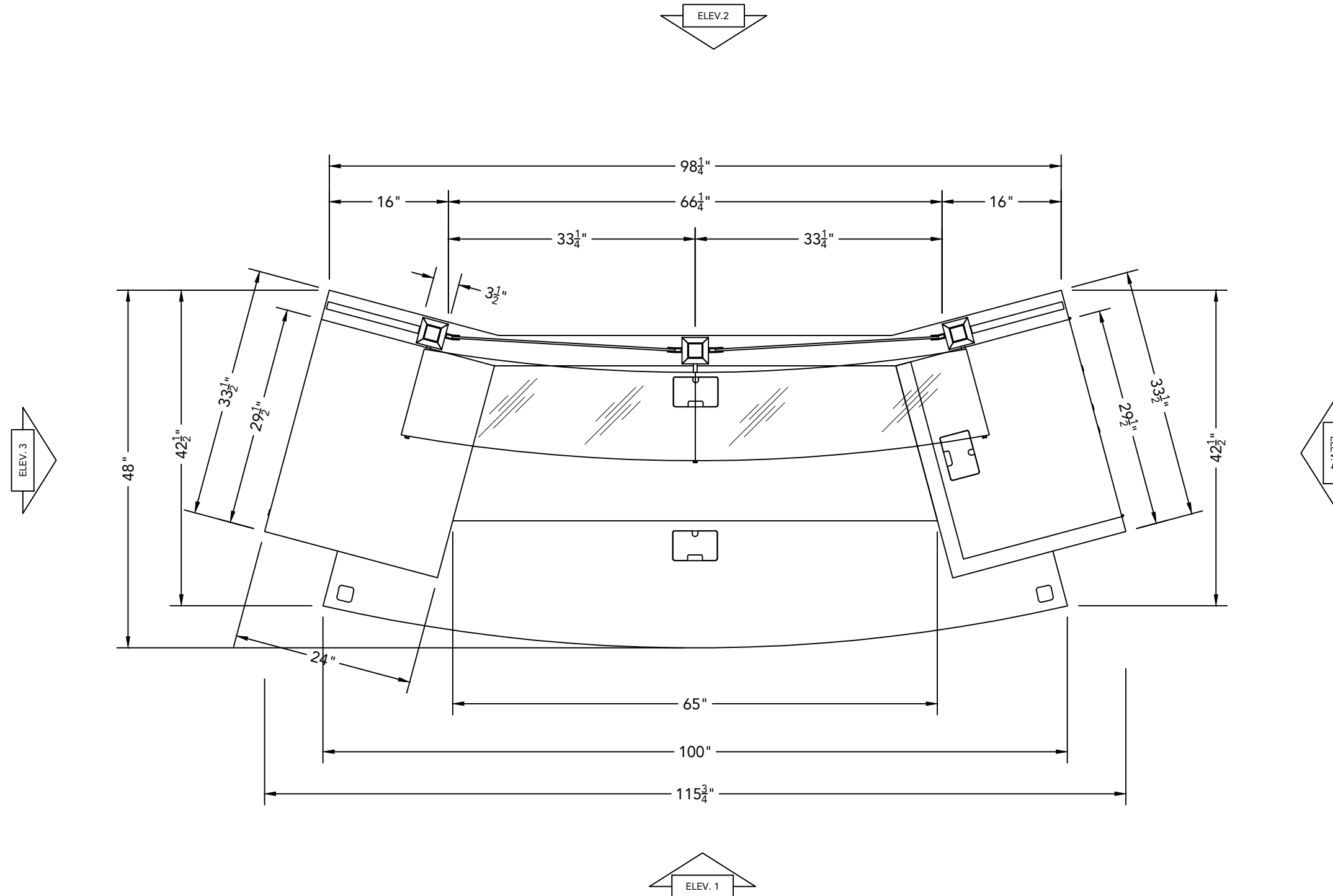


merchandising diagram



PLAN	PLAN AT COUNTER
1	SCALE: 3/4"=1'-0"

JOB NUMBER: R112.2914
 DATE: 5.25.2012
 CLIENT: MACERICH
 PROJECT: QUEENS CENTER
 DESIGNER: H.WANG
 DETAILER: J.VASQUEZ
 PROJECT MANAGER: L.PATZ
 QUANTITY: 7
 DRAWING FILE: QUEENS CENTER-RAIL UNIT

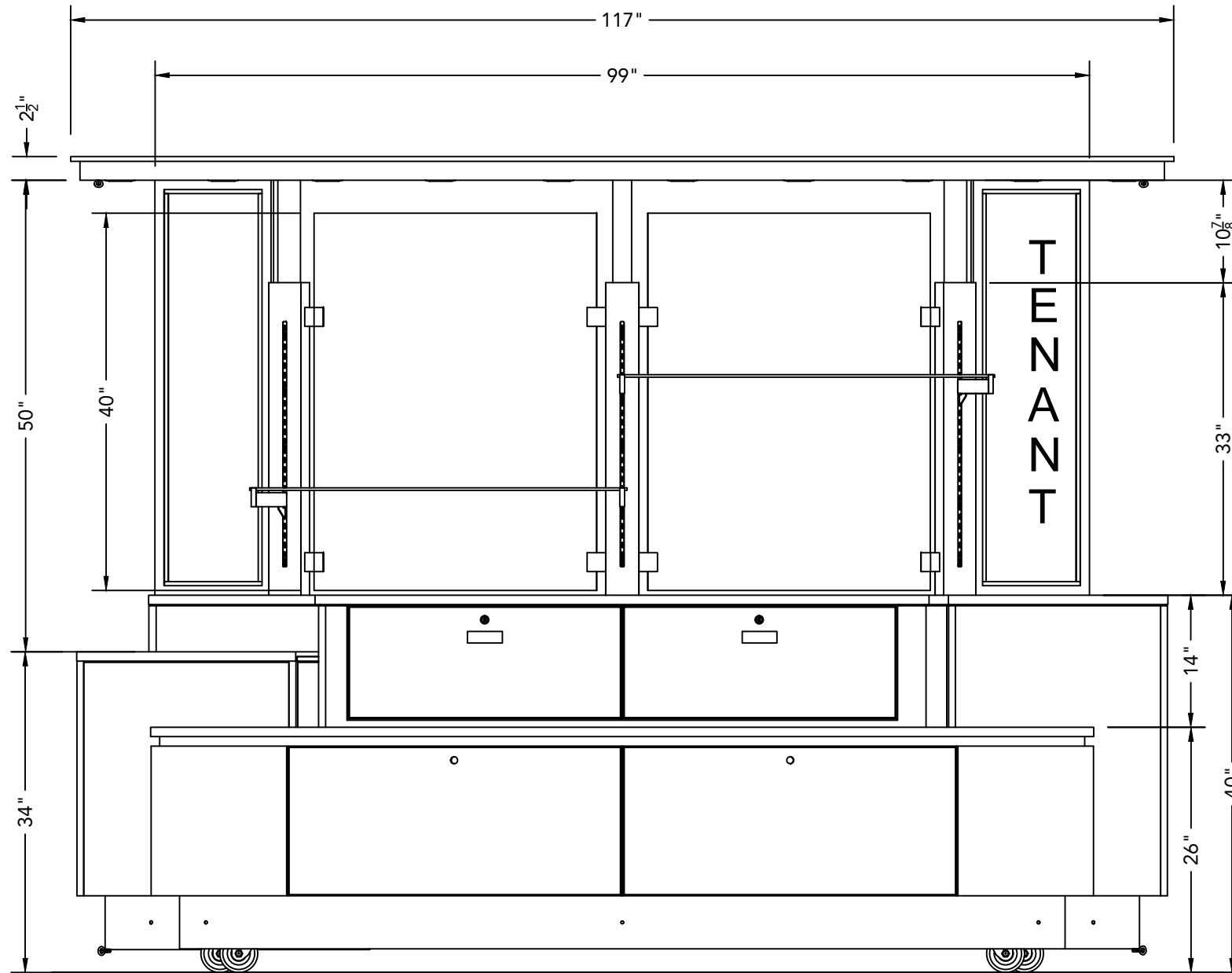
MACERICH
 QUEENS CENTER
 RAILING RMU

This drawing, and the information contained herein, is the property of STAK Design INC. It may not be reproduced or copied in whole or in part. Any unauthorized use on any other project may be subject to penalty by law.

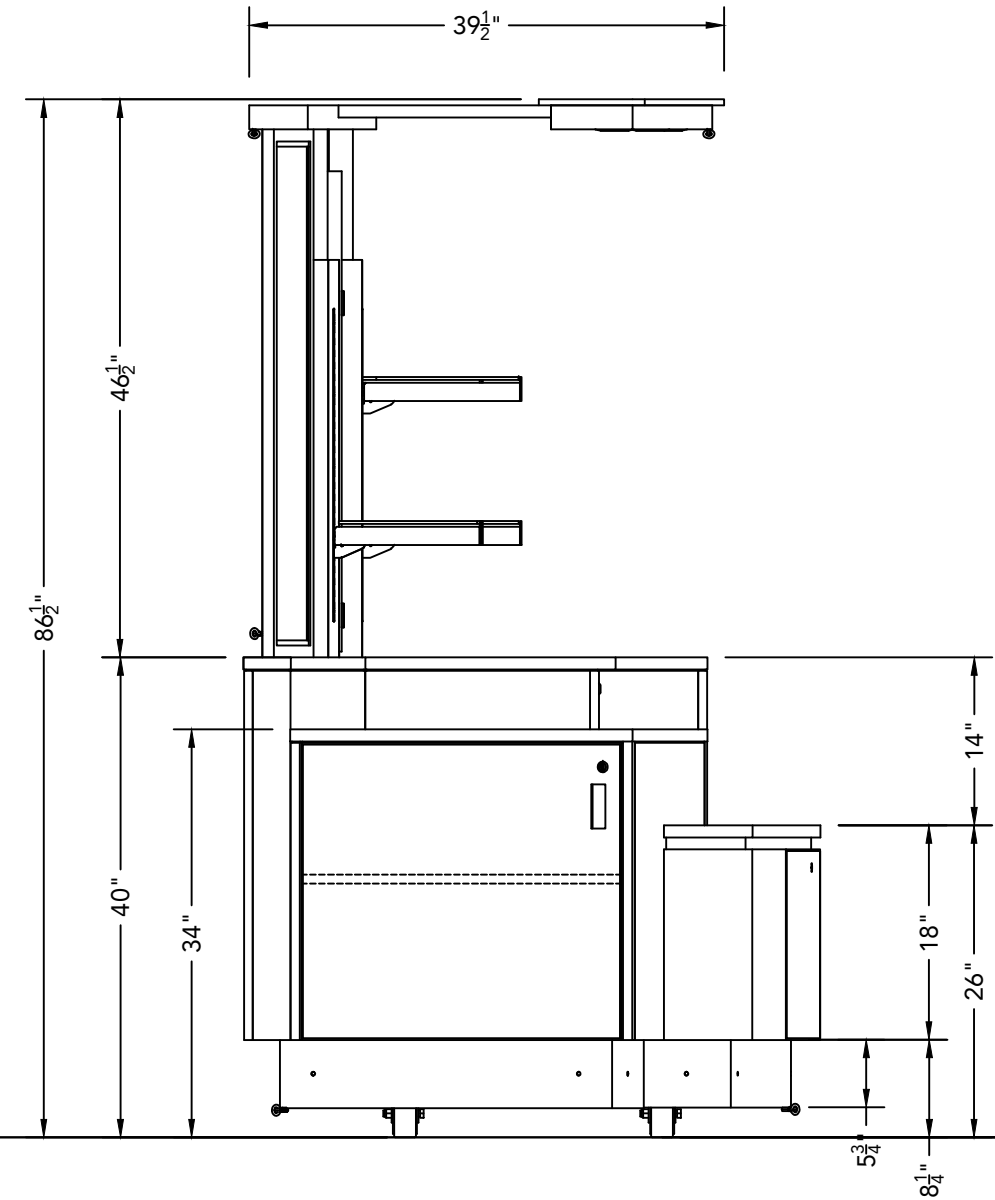
STAK DESIGN
 1540 LUNA ROAD
 CARROLLTON, TX 75006
 972.323.0100
 WWW.STAKDESIGN.COM



merchandising diagram



ELEV.	ELEVATION-SIDE FRONT
1	SCALE: 3/4" = 1'-0"



ELEV.	ELEVATION-STORAGE END
3	SCALE: 3/4" = 1'-0"

JOB NUMBER:
R112.2914
DATE:
5.25.2012
CLIENT:
MACERICH
PROJECT:
QUEENS CENTER
DESIGNER:
H.WANG
DETAILER:
J.VASQUEZ
PROJECT MANAGER:
L.PATZ
QUANTITY:
7
DRAWING FILE:
QUEENS CENTER-RAIL UNIT

MACERICH
QUEENS CENTER
RAILING RMU

This drawing, and the information contained herein, is the property of STAK Design, INC. It may not be reproduced or copied in whole or in part. Any unauthorized use on any other project may be subject to penalty by law.

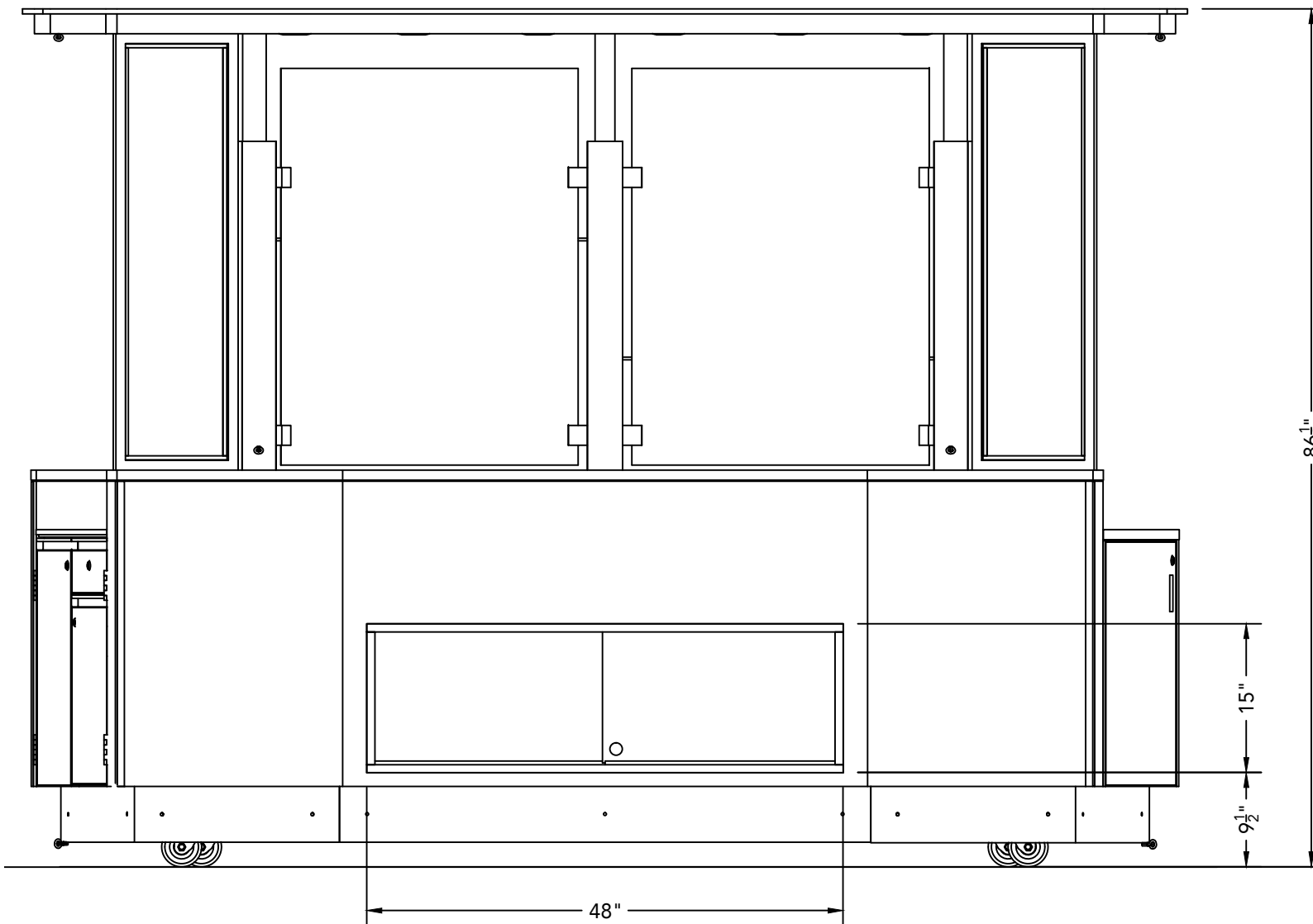
STAK DESIGN

1540 LUNA ROAD
CARROLLTON, TX 75006
972.323.0100
WWW.STAKDESIGN.COM

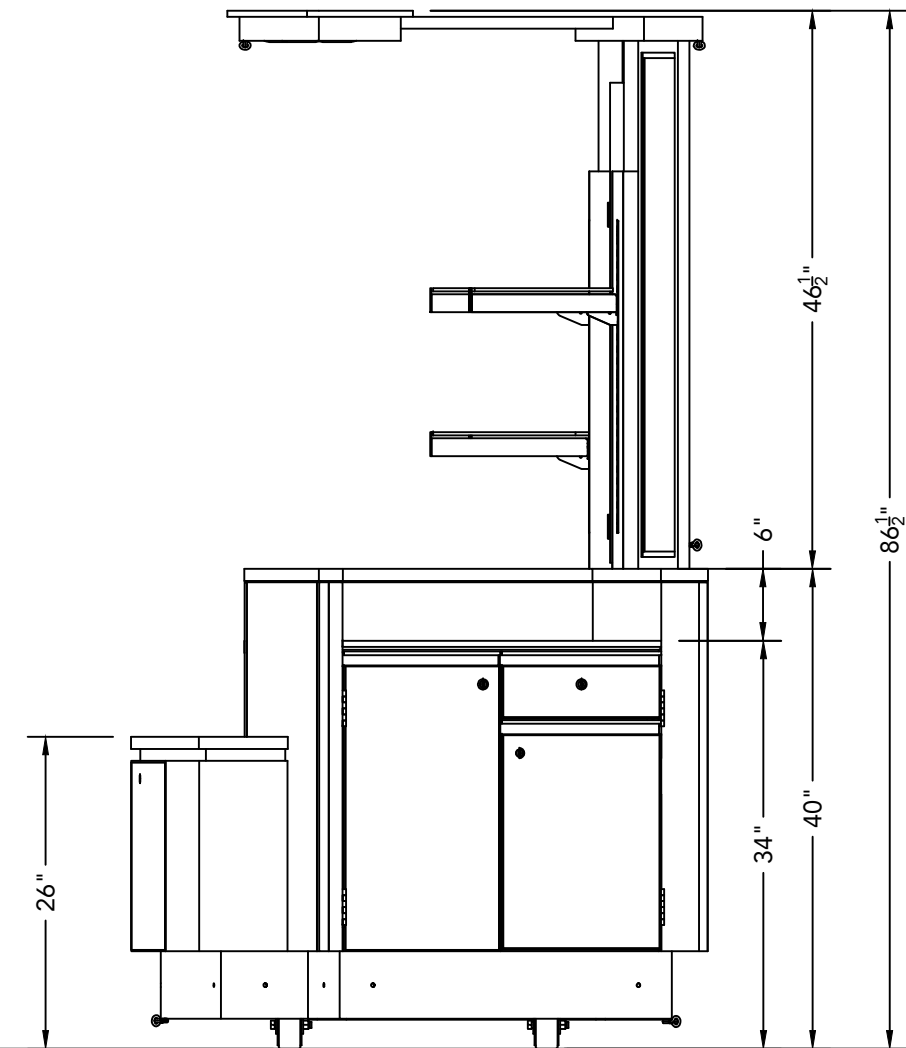


merchandising diagram

JOB NUMBER: R112.2914
 DATE: 5.25.2012
 CLIENT: MACERICH
 PROJECT: QUEENS CENTER
 DESIGNER: H.WANG
 DETAILER: J.VASQUEZ
 PROJECT MANAGER: L.PATZ
 QUANTITY: 7
 DRAWING FILE: QUEENS CENTER-RAIL UNIT



ELEV.	ELEVATION-SIDE BACK
2	SCALE: 3/4"=1'-0"



ELEV.	ELEVATION-CASH STAND
4	SCALE: 3/4"=1'-0"

MACERICH
 QUEENS CENTER
 RAILING RMU

This drawing, and the information contained herein, is the property of STAK Design INC. It may not be reproduced or copied in whole or in part. Any unauthorized use on any other project may be subject to penalty by law.

STAK DESIGN

1540 LUNA ROAD
 CARROLLTON, TX 75006
 972.323.0100
 WWW.STAKDESIGN.COM

