

RENDERING

| | |
|----------|----------|
| QTY | 17 |
| DRAWN BY | MJ |
| DATE | 05/16/19 |

| | |
|---------|---|
| REVISED | |
| 1 | 3 |
| 2 | 4 |

| | |
|----------|-------------------------|
| CUSTOMER | MACERICH |
| | RMU 47" X 96" X 82"H |
| DRAWING | |

| | |
|------|---------------|
| JOB# | QUEENS CENTER |
|------|---------------|

| | |
|----------|-----|
| PAGE No. | A.6 |
|----------|-----|

QTY 17

DRAWN BY MJ

DATE 05/16/19

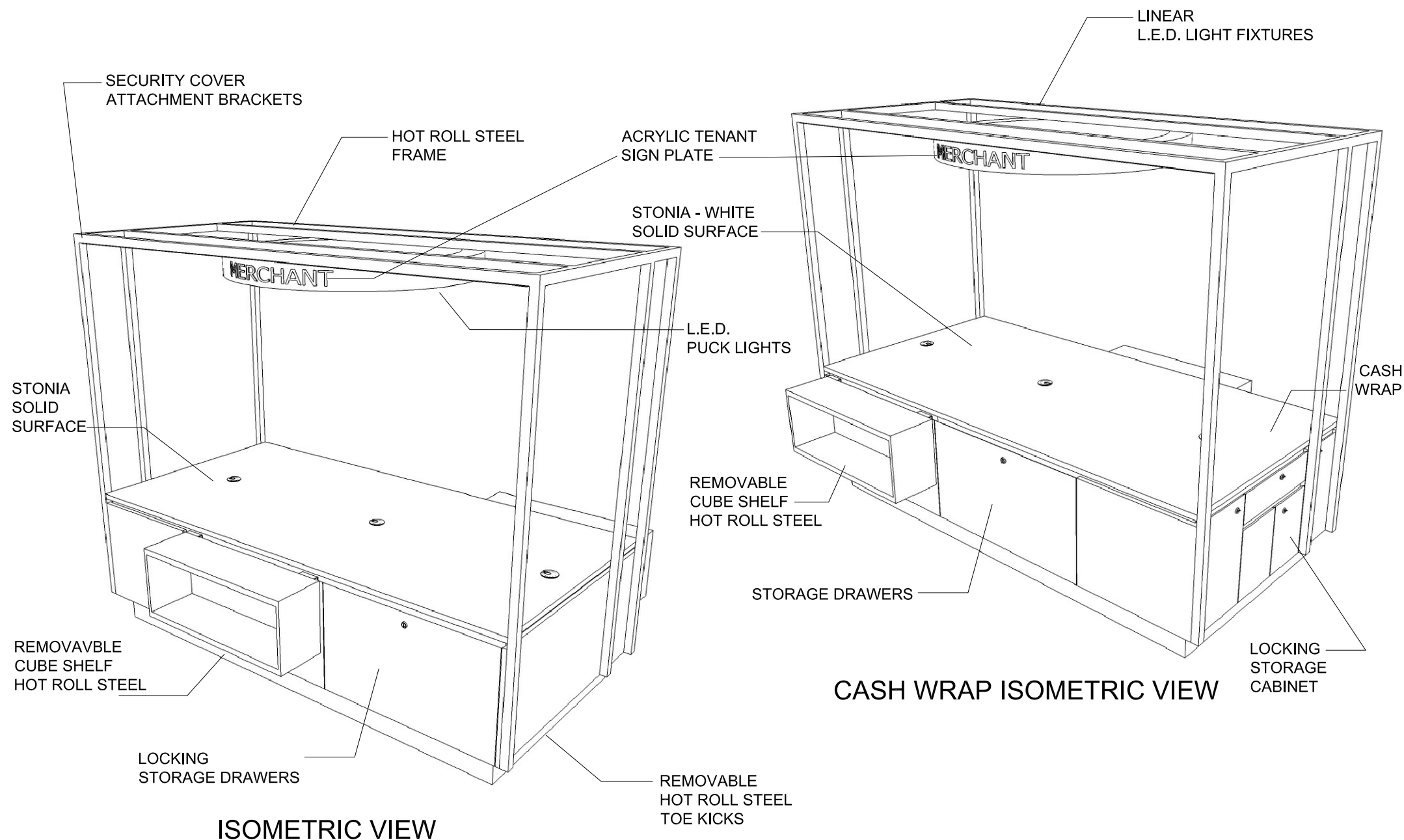
REVISED

| | | |
|---|--|---|
| 1 | | 3 |
| 2 | | 4 |

| | |
|----------|-------------------------|
| CUSTOMER | MACERICH |
| | RMU 47" X 96" X 82"H |
| DRAWING | |

JOB#
 QUEENS CENTER

PAGE No.
A.7



ISOMETRIC VIEW

CASH WRAP ISOMETRIC VIEW



8520 WELLSFORD PLACE,
 SANTA FE SPRINGS, CA 90670
 PHONE 562 696 1400 FAX 562 696 1411
 www.nbifixtures.com

QTY 17

DRAWN BY MJ

DATE 05/16/19

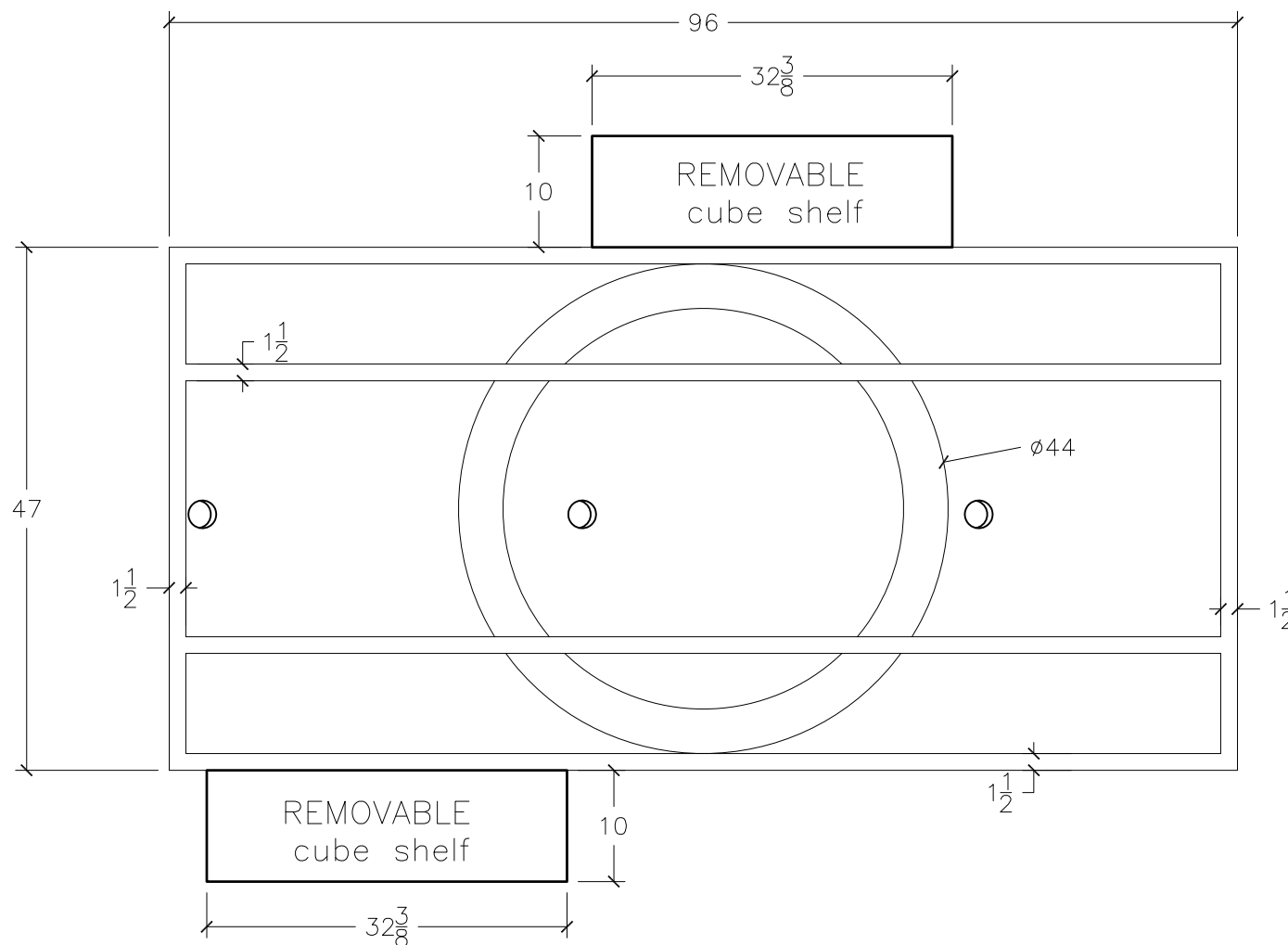
REVISED

| | | |
|---|--|---|
| 1 | | 3 |
| 2 | | 4 |

| | |
|----------|-------------------------|
| CUSTOMER | MACERICH |
| | DRAWING |
| | RMU 47" X 96" X 82"H |

JOB#
 QUEENS CENTER

PAGE No.
A.8



PLAN VIEW
 SCALE: 3/4 " = 1'



8520 WELLSFORD PLACE,
SANTA FE SPRINGS, CA 90670
PHONE 562 696 1400 FAX 562 696 1411
www.nbifixtures.com

QTY 17

DRAWN BY MJ

DATE 05/16/19

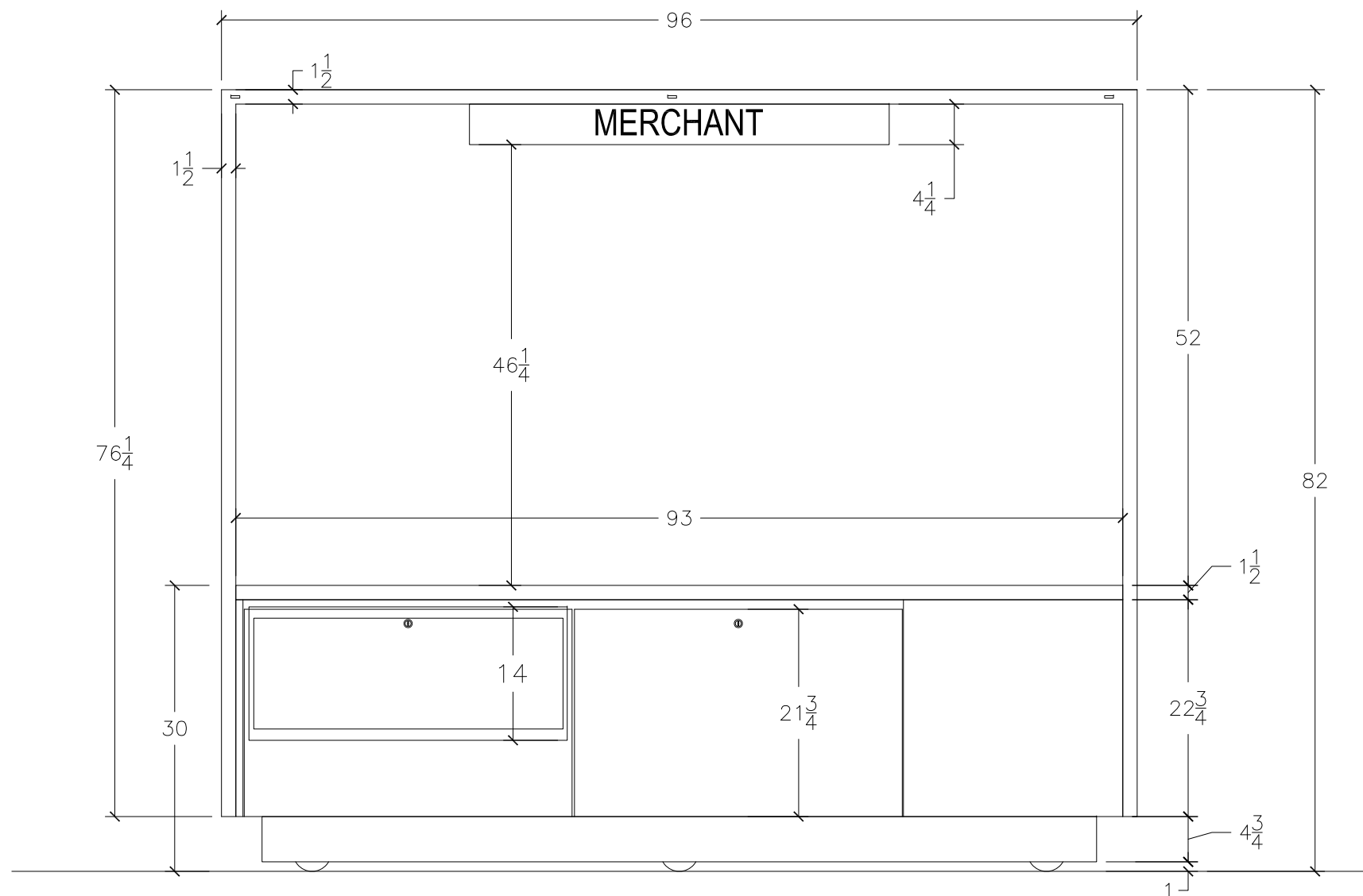
REVISED

| | | |
|---|--|---|
| 1 | | 3 |
| 2 | | 4 |

| | |
|----------|-------------------------|
| CUSTOMER | MACERICH |
| | RMU 47" X 96" X 82"H |
| DRAWING | |

JOB#
QUEENS CENTER

PAGE No.
A.9



SIDE ELEVATION
SCALE: 3/4 " = 1 '



8520 WELLSFORD PLACE,
 SANTA FE SPRINGS, CA 90670
 PHONE 562 696 1400 FAX 562 696 1411
 www.nbifixtures.com

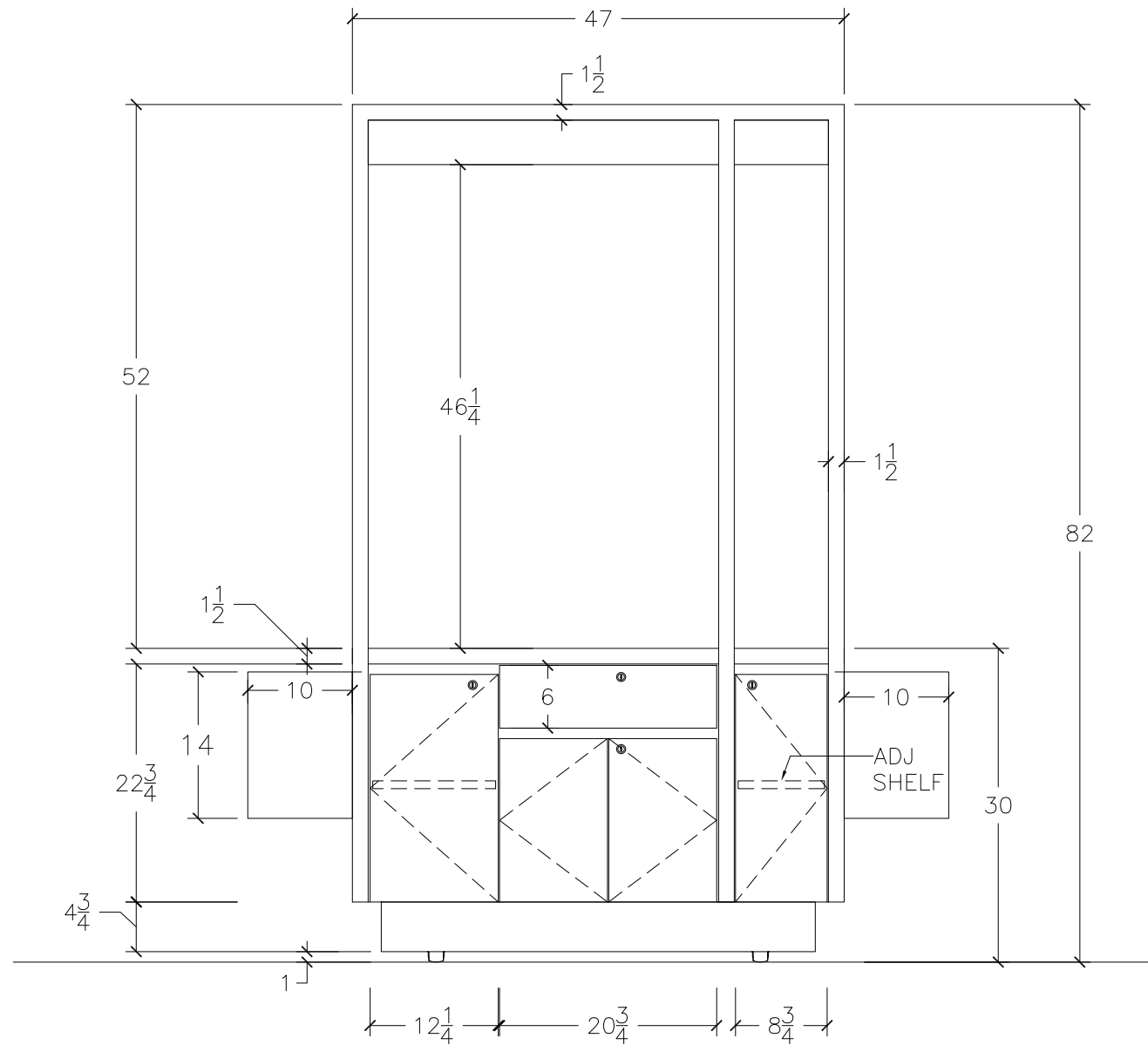
QTY 17

DRAWN BY MJ

DATE 05/16/19

REVISED

| | | |
|---|--|---|
| 1 | | 3 |
| 2 | | 4 |



END ELEVATION
 SCALE: 3/4" = 1'

| | | |
|----------|-------------------------|--|
| CUSTOMER | MACERICH | |
| | DRAWING | |
| | RMU 47" X 96" X 82"H | |

JOB#
 QUEENS CENTER

PAGE No.
 A.10



8520 WELLSFORD PLACE,
SANTA FE SPRINGS, CA 90670
PHONE 562 696 1400 FAX 562 696 1411
www.nbifixtures.com

QTY 17

DRAWN BY MJ

DATE 05/16/19

REVISED

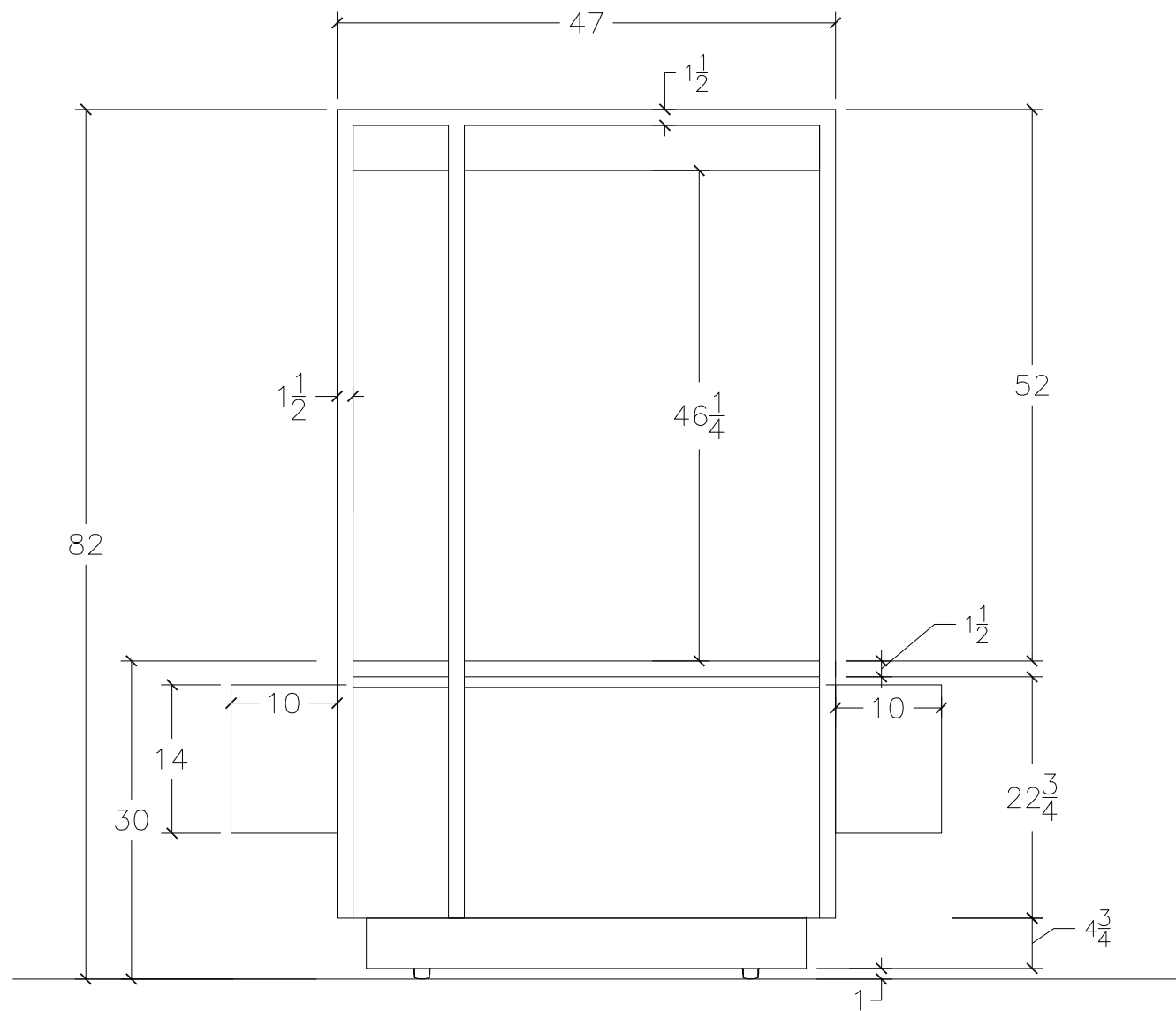
| | | |
|---|--|---|
| 1 | | 3 |
| 2 | | 4 |

| | |
|----------|-------------------------|
| CUSTOMER | MACERICH |
| | RMU 47" X 96" X 82"H |
| DRAWING | |

JOB#
QUEENS CENTER

PAGE No.

A.11



END ELEVATION
SCALE: 3/4 " = 1 '



8520 WELLSFORD PLACE,
 SANTA FE SPRINGS, CA 90670
 PHONE 562 696 1400 FAX 562 696 1411
 www.nbifixtures.com

QTY 17

DRAWN BY MJ

DATE 05/16/19

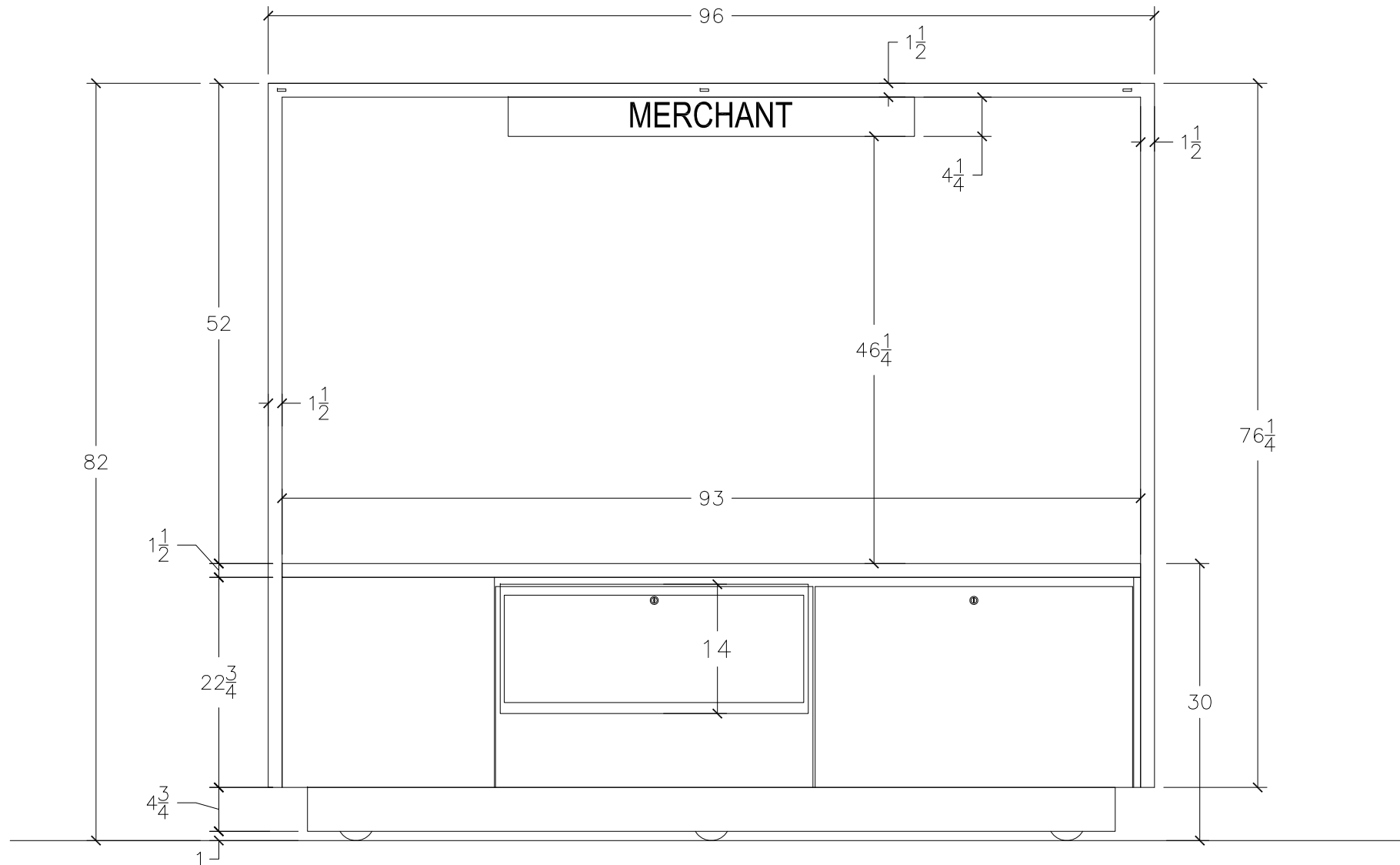
REVISED

| | | |
|---|--|---|
| 1 | | 3 |
| 2 | | 4 |

| | |
|----------|-------------------------|
| CUSTOMER | MACERICH |
| | RMU 47" X 96" X 82"H |
| DRAWING | |
| | |

JOB#
 QUEENS CENTER

PAGE No.
A.12



SIDE ELEVATION
 SCALE: 3/4 " = 1 '



8520 WELLSFORD PLACE,
SANTA FE SPRINGS, CA 90670
PHONE 562 696 1400 FAX 562 696 1411
www.nbifixtures.com

QTY 17

DRAWN BY MJ

DATE 05/16/19

REVISED

1 3

2 4

| | | |
|----------|----------|-------------------------|
| CUSTOMER | MACERICH | |
| | DRAWING | RMU 47" X 96" X 82"H |

JOB#
QUEENS CENTER

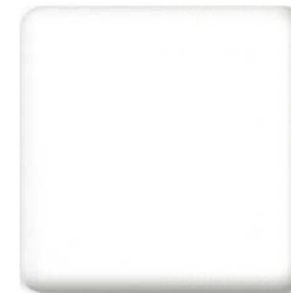
PAGE No.
A.13



**FORMICA 6416-NT
CHARRED FORMWOOD**



HOT ROLL STEEL



**STONIA-WHITE
SOLID SURFACE**

MATERIAL SAMPLE
SCALE: N.T.S