

QTY 4

DRAWN BY MJ

DATE 05/15/19

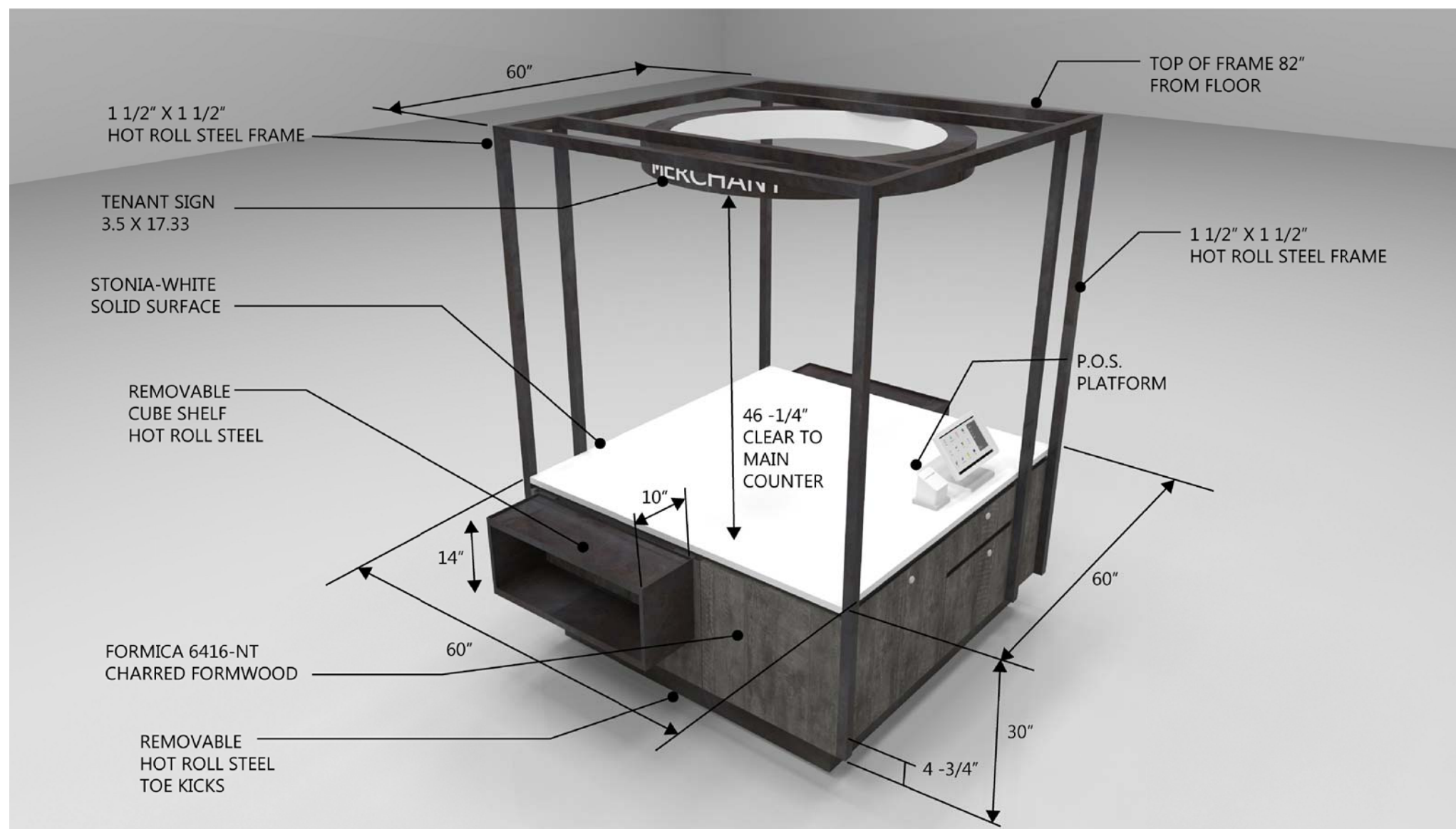
REVISED

1		3
2		4

CUSTOMER	MACERICH
	RMU 60" X 60" X 82"H
DRAWING	

JOB#
 QUEENS CENTER

PAGE No.
A.6



RENDERING

QTY 4

DRAWN BY MJ

DATE 05/15/19

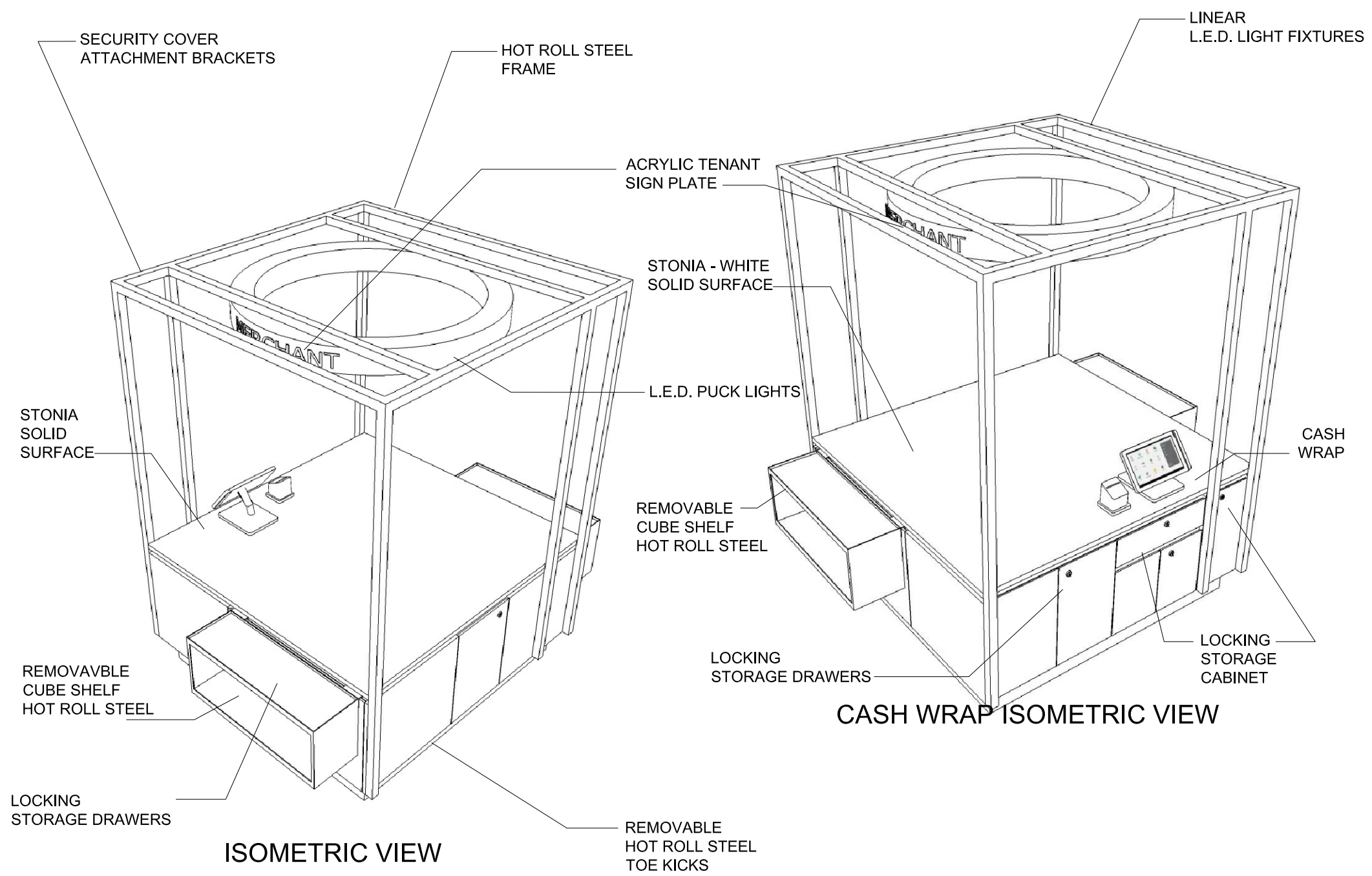
REVISED

1		3
2		4

CUSTOMER	MACERICH	DRAWING	RMU 60" X 60" X 82"H

JOB#
 QUEENS CENTER

PAGE No.
A.7



ISOMETRIC VIEW

CASH WRAP ISOMETRIC VIEW



8520 WELLSFORD PLACE,
SANTA FE SPRINGS, CA 90670
PHONE 562 696 1400 FAX 562 696 1411
www.nbifixtures.com

QTY 4

DRAWN BY MJ

DATE 05/15/19

REVISED

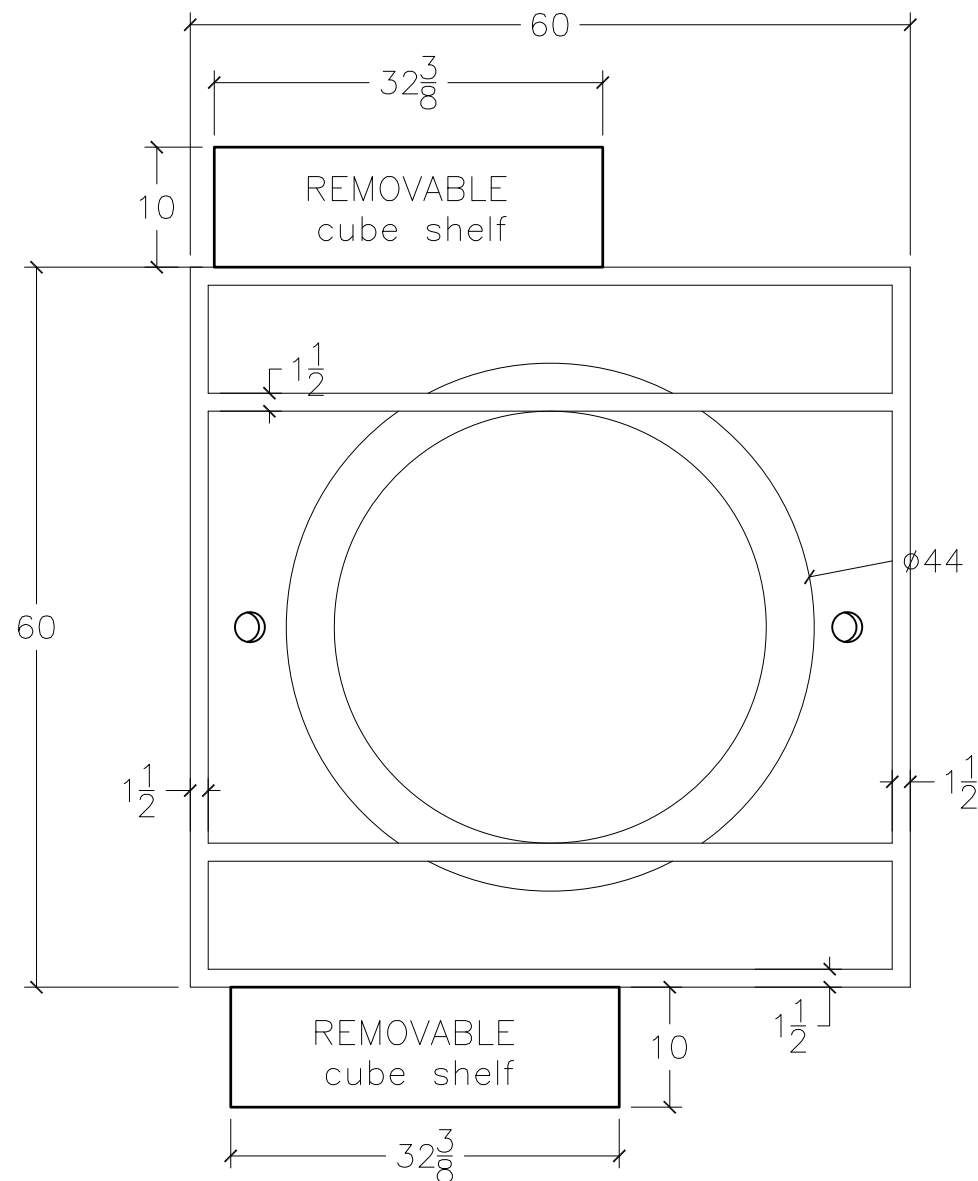
1		3
2		4

CUSTOMER	MACERICH
	DRAWING
	RMU 60" X 60" X 82"H

JOB#
QUEENS CENTER

PAGE No.

A.8



PLAN VIEW
SCALE: 3/4" = 1'



8520 WELLSFORD PLACE,
 SANTA FE SPRINGS, CA 90670
 PHONE 562 696 1400 FAX 562 696 1411
 www.nbifixtures.com

QTY 4

DRAWN BY MJ

DATE 05/15/19

REVISED

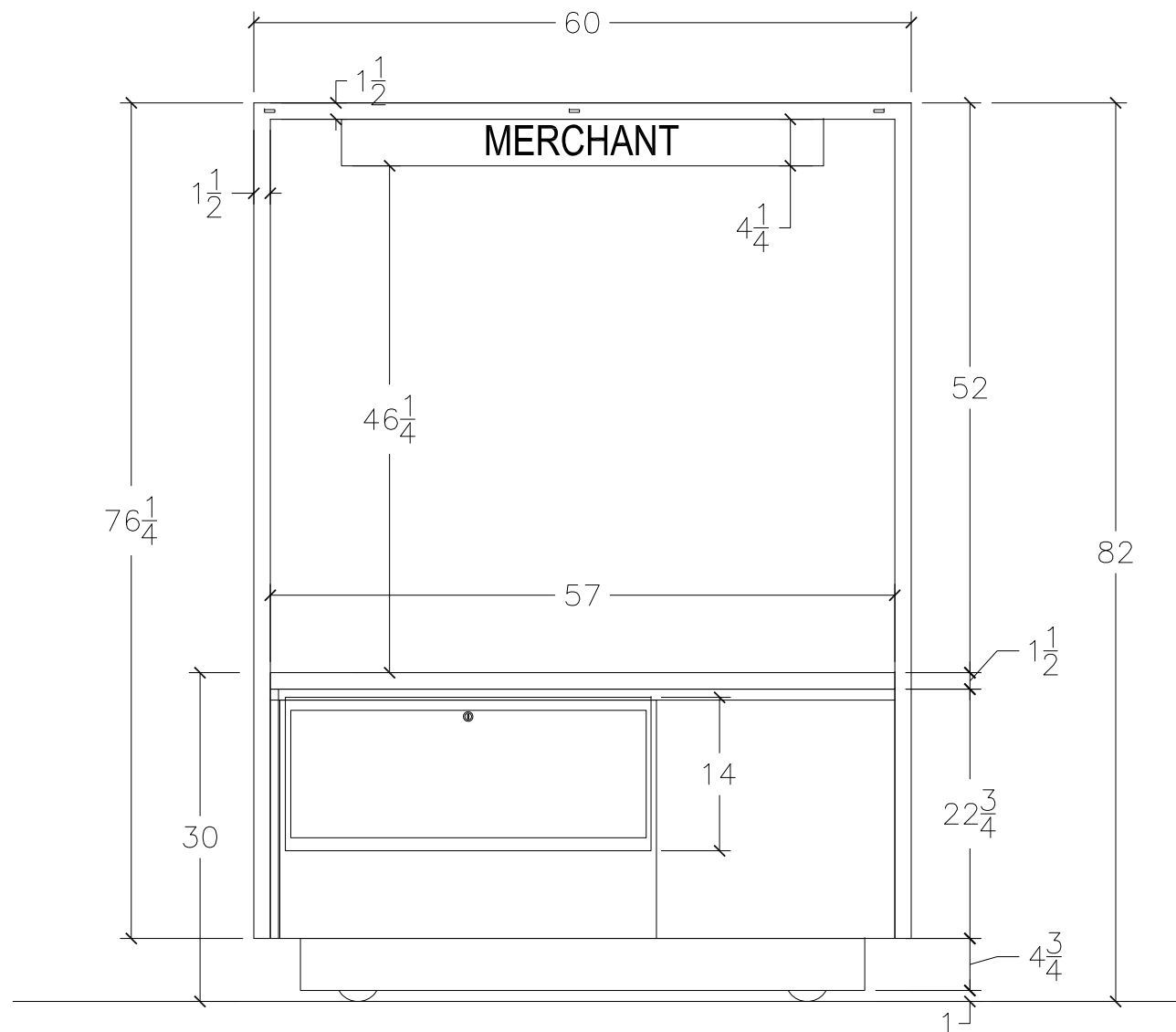
1		3
2		4

CUSTOMER	MACERICH
	RMU 60" X 60" X 82"H
DRAWING	

JOB#
 QUEENS CENTER

PAGE No.

A.9



SIDE ELEVATION
 SCALE: 3/4 " = 1 '

QTY 4

DRAWN BY MJ

DATE 05/15/19

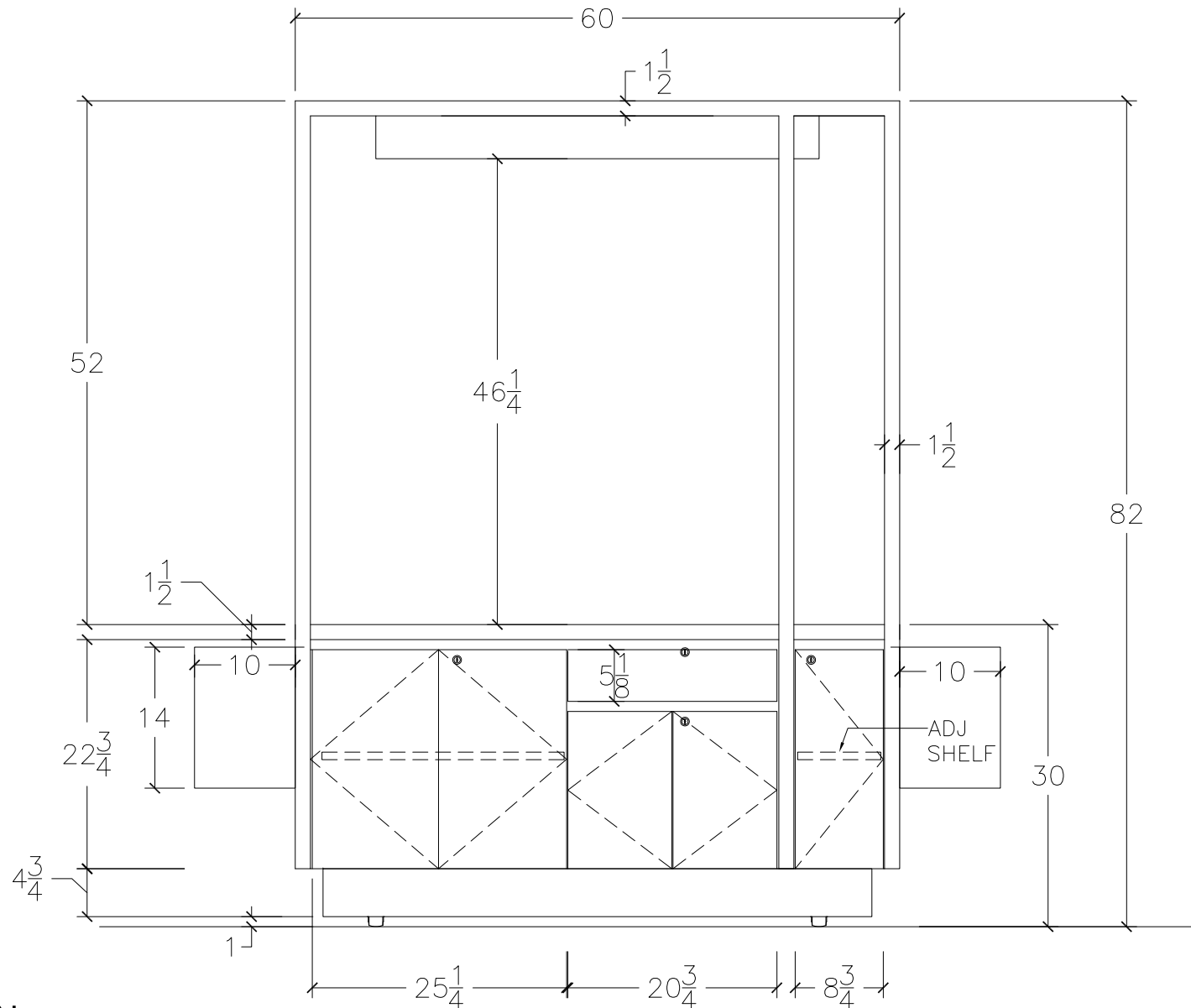
REVISED

1		3
2		4

CUSTOMER	MACERICH	
	DRAWING	RMU 60" X 60" X 82"H

JOB#	QUEENS CENTER
------	---------------

PAGE No.	A.10
----------	------



END ELEVATION
 SCALE: 3/4" = 1'



8520 WELLSFORD PLACE,
 SANTA FE SPRINGS, CA 90670
 PHONE 562 696 1400 FAX 562 696 1411
 www.nbifixtures.com

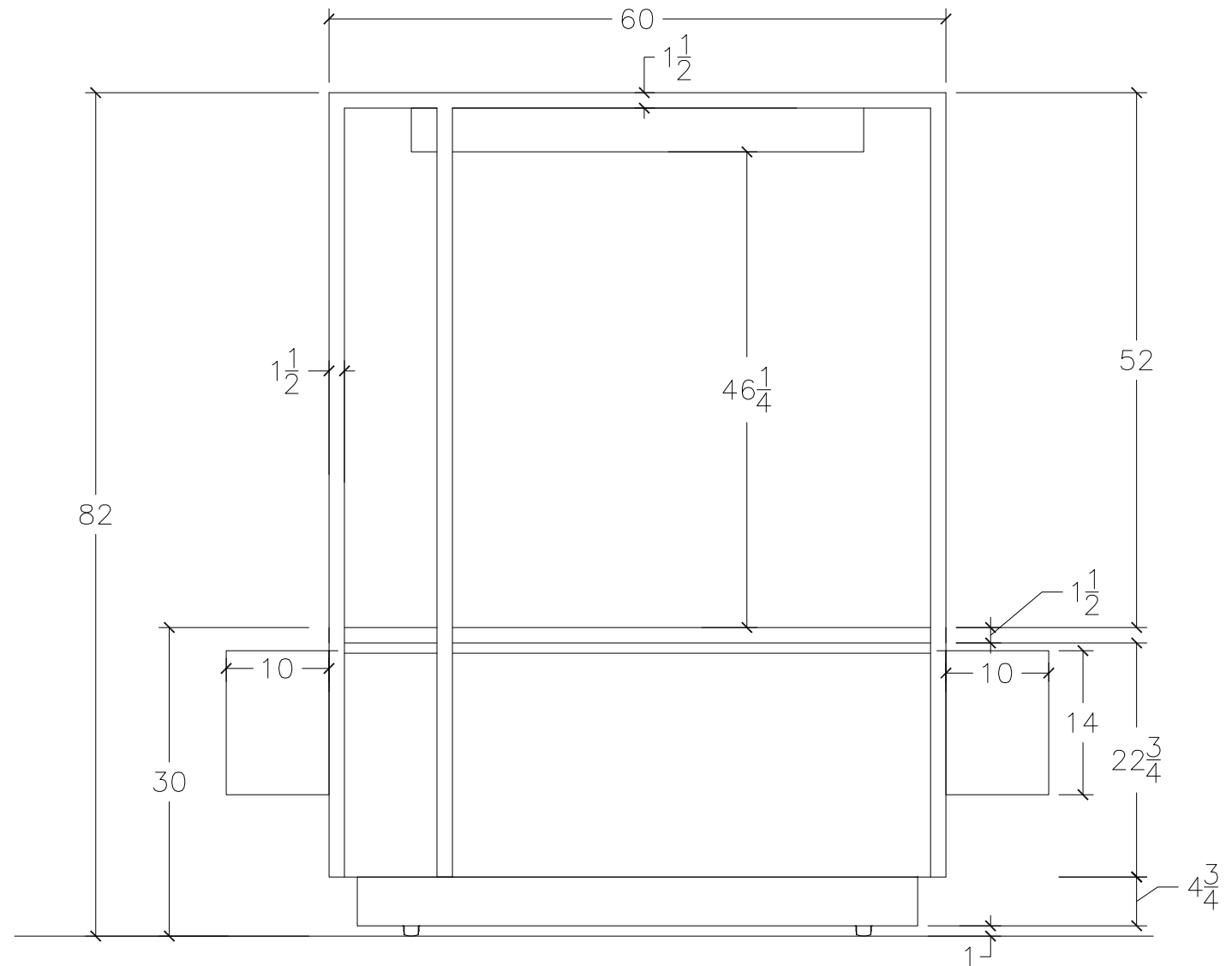
QTY 4

DRAWN BY MJ

DATE 05/15/19

REVISED

1		3
2		4



END ELEVATION
 SCALE: 3/4 " = 1 '

CUSTOMER	MACERICH	
	DRAWING	
	RMU 60" X 60" X 82"H	

JOB#
 QUEENS CENTER

PAGE No.
A.11



8520 WELLSFORD PLACE,
SANTA FE SPRINGS, CA 90670
PHONE 562 696 1400 FAX 562 696 1411
www.nbifixtures.com

QTY 4

DRAWN BY MJ

DATE 05/15/19

REVISED

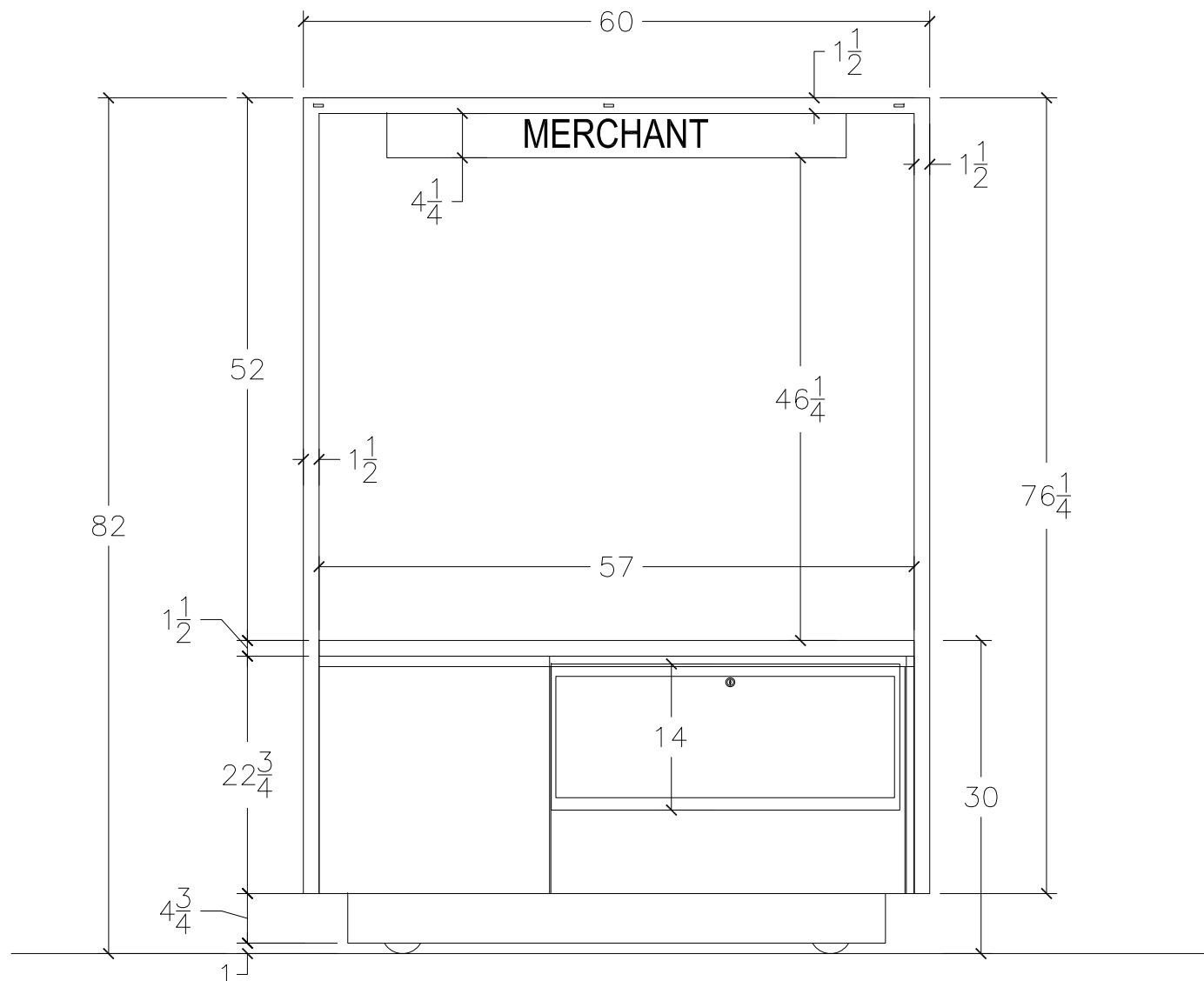
1		3
2		4

CUSTOMER	MACERICH
	RMU 60" X 60" X 82"H
DRAWING	

JOB#
QUEENS CENTER

PAGE No.

A.12

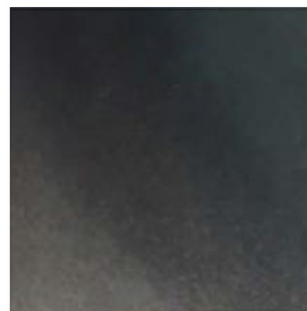


SIDE ELEVATION

SCALE: 3/4 " = 1 '



**FORMICA 6416-NT
CHARRED FORMWOOD**



HOT ROLL STEEL



**STONIA-WHITE
SOLID SURFACE**



8520 WELLSFORD PLACE,
SANTA FE SPRINGS, CA 90670
PHONE 562 696 1400 FAX 562 696 1411
www.nbifixtures.com

QTY 4

DRAWN BY MJ

DATE 05/15/19

REVISED

1		3
2		4

CUSTOMER	MACERICH	
	DRAWING	RMU 60" X 60" X 82"H

JOB#
QUEENS CENTER

PAGE No.
A.13

MATERIAL SAMPLE

SCALE: N.T.S