

QTY 5

DRAWN BY MJ

DATE 05/15/19

REVISED

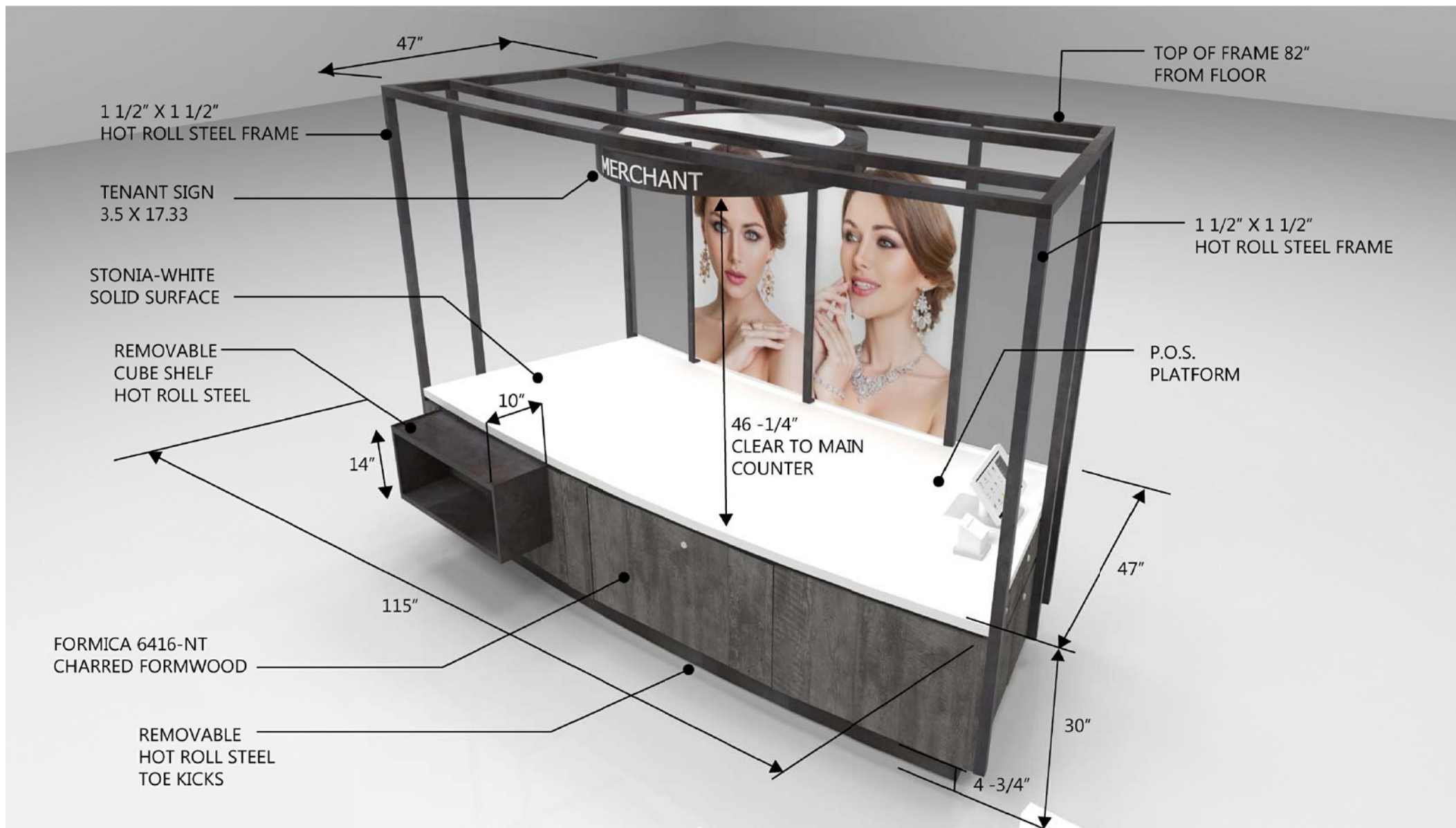
1		3
2		4

CUSTOMER	MACERICH	
	CURVED RAIL RMU 47" X 96" X 82"H	
DRAWING		

JOB#
 QUEENS CENTER

PAGE No.

A.6



RENDERING

QTY 5

DRAWN BY MJ

DATE 05/15/19

REVISED

1		3
2		4

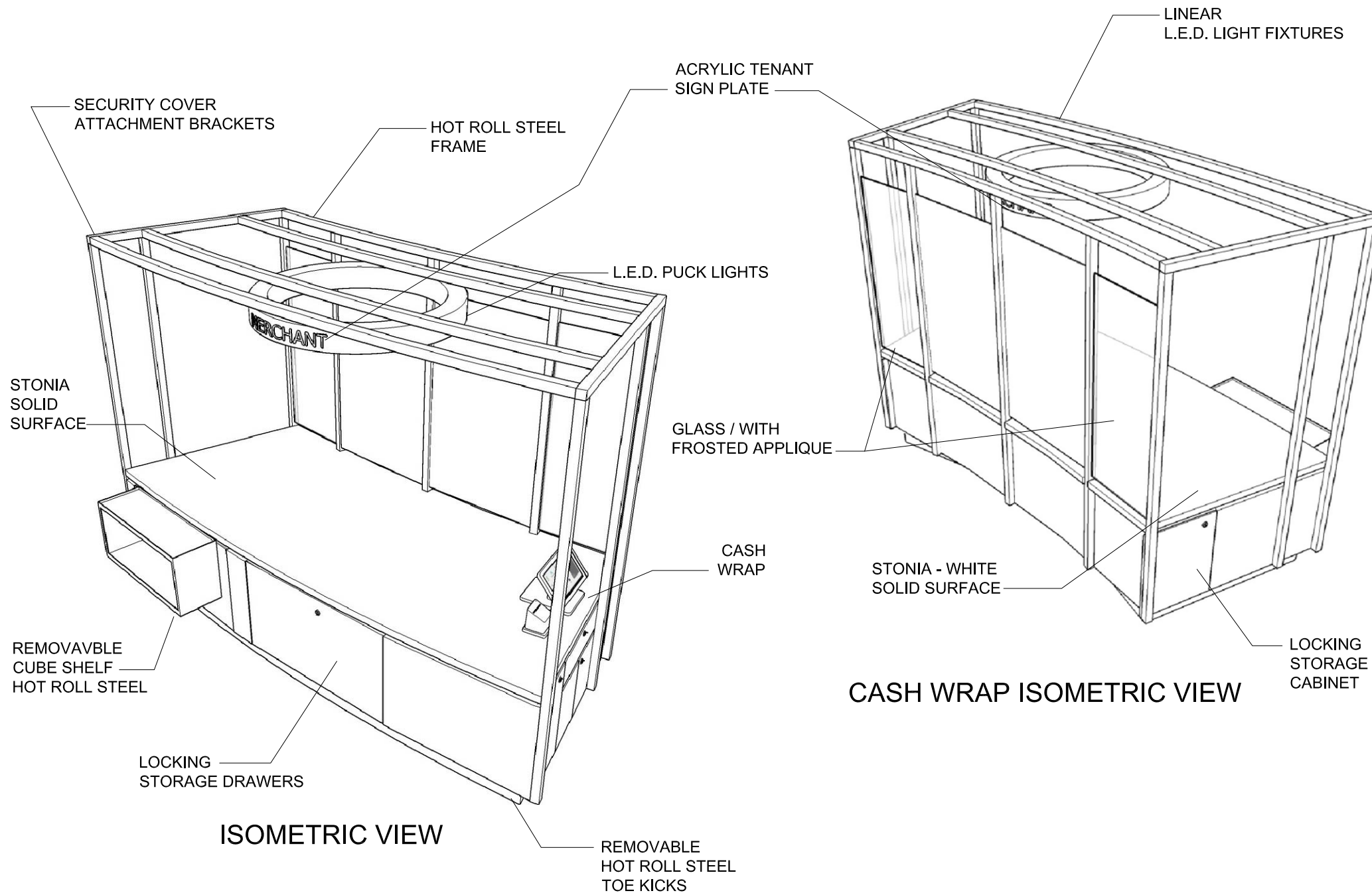
CUSTOMER
 MACERICH

DRAWING
 CURVED RAIL RMU
 47" X 96" X 82"H

JOB#
 QUEENS CENTER

PAGE No.

A.7



ISOMETRIC VIEW

CASH WRAP ISOMETRIC VIEW



8520 WELLSFORD PLACE,
SANTA FE SPRINGS, CA 90670
PHONE 562 696 1400 FAX 562 696 1411
www.nbifixtures.com

QTY 5

DRAWN BY MJ

DATE 05/15/19

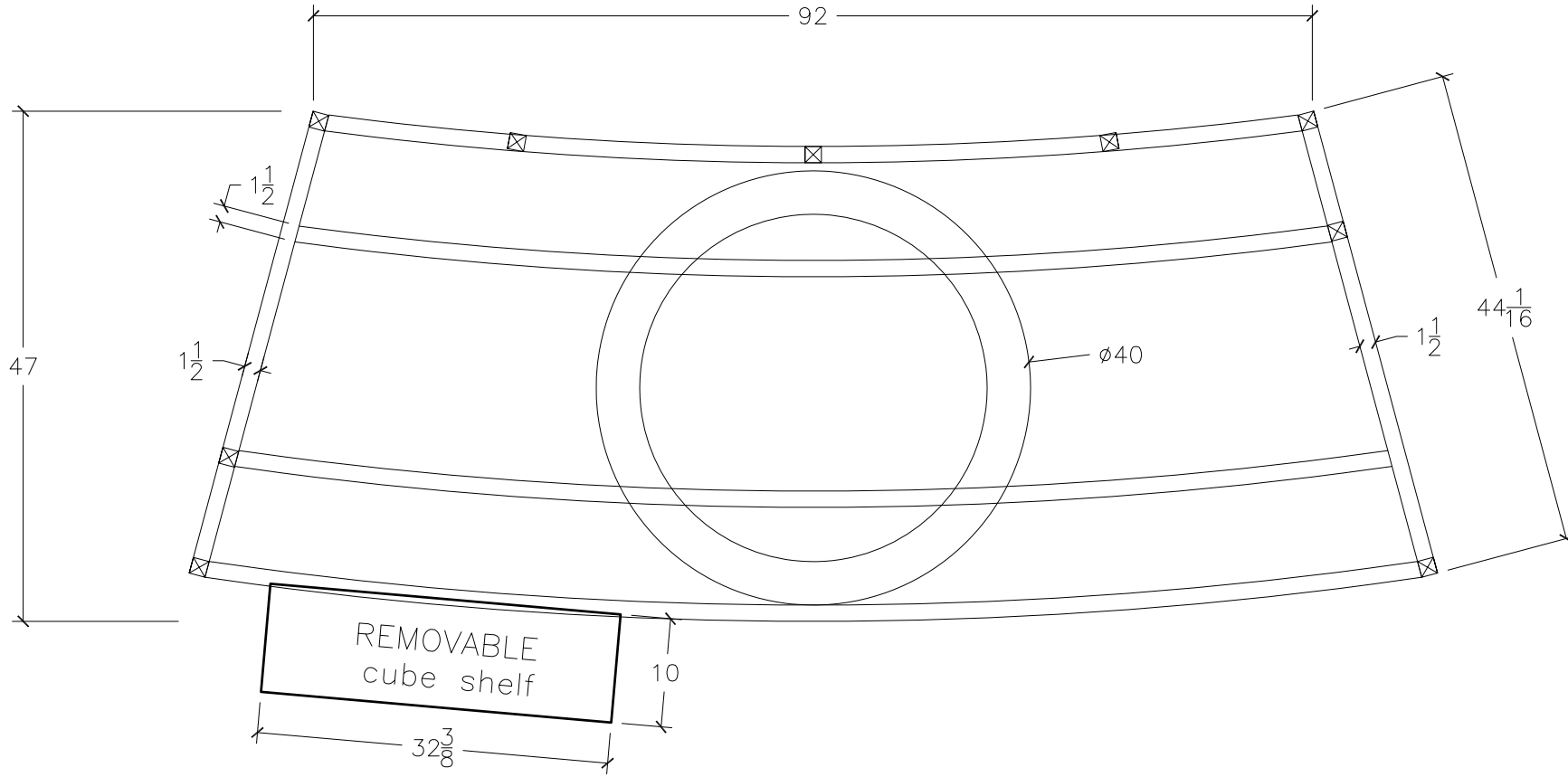
REVISED

1		3
2		4

CUSTOMER	MACERICH	
	DRAWING	CURVED RAIL RMU 47" X 96" X 82"H

JOB#
QUEENS CENTER

PAGE No.
A.8



PLAN VIEW

SCALE: 3/4" = 1'



8520 WELLSFORD PLACE,
SANTA FE SPRINGS, CA 90670
PHONE 562 696 1400 FAX 562 696 1411
www.nbifixtures.com

QTY 5

DRAWN BY MJ

DATE 05/15/19

REVISED

1		3
2		4

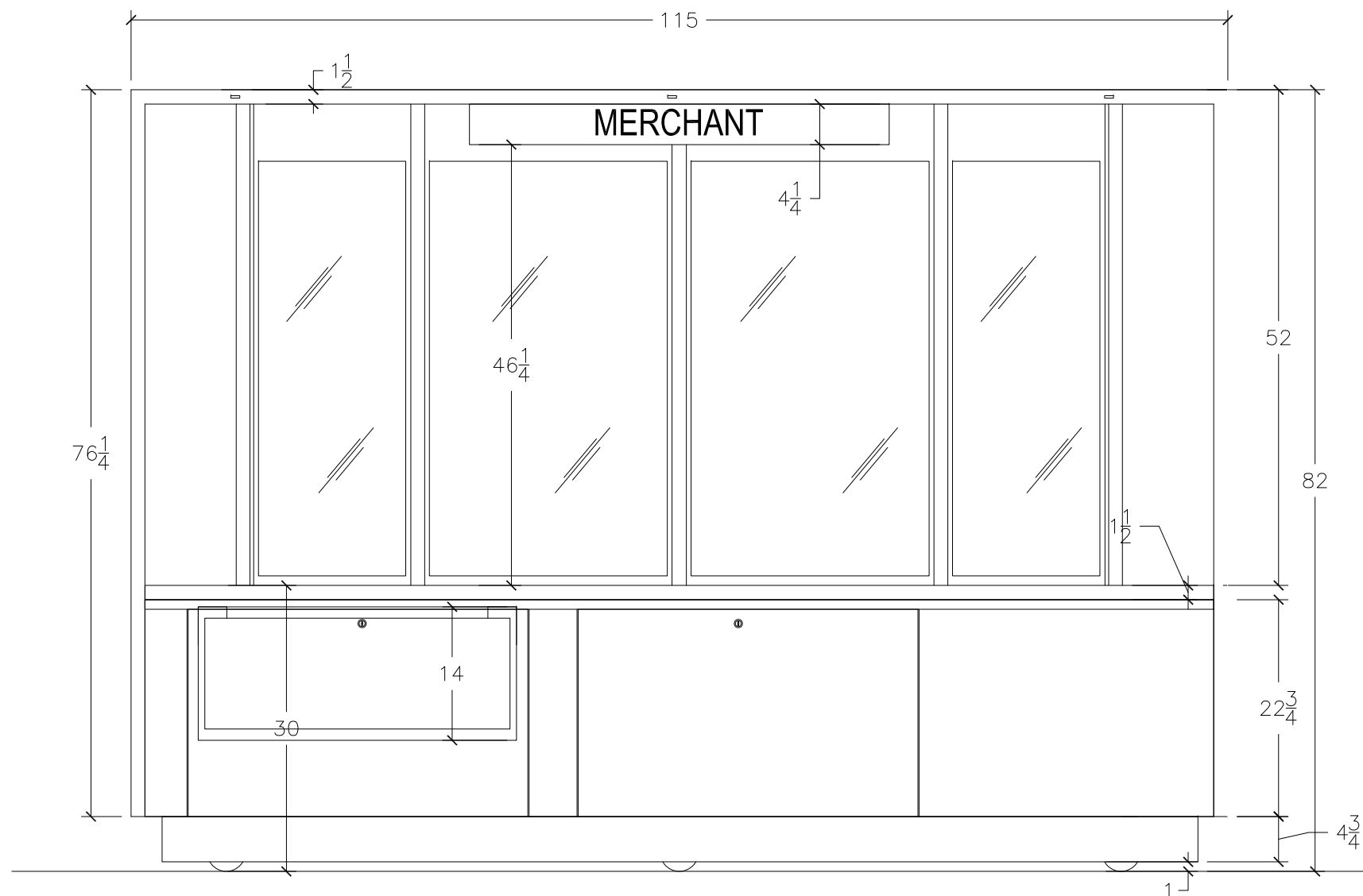
CUSTOMER
MACERICH

DRAWING
CURVED RAIL RMU
47" X 96" X 82"H

JOB#
QUEENS CENTER

PAGE No.

A.9



SIDE ELEVATION
SCALE: 3/4 " = 1 '



8520 WELLSFORD PLACE,
SANTA FE SPRINGS, CA 90670
PHONE 562 696 1400 FAX 562 696 1411
www.nbifixtures.com

QTY 5

DRAWN BY MJ

DATE 05/15/19

REVISED

1		3
2		4

CUSTOMER
MACERICH

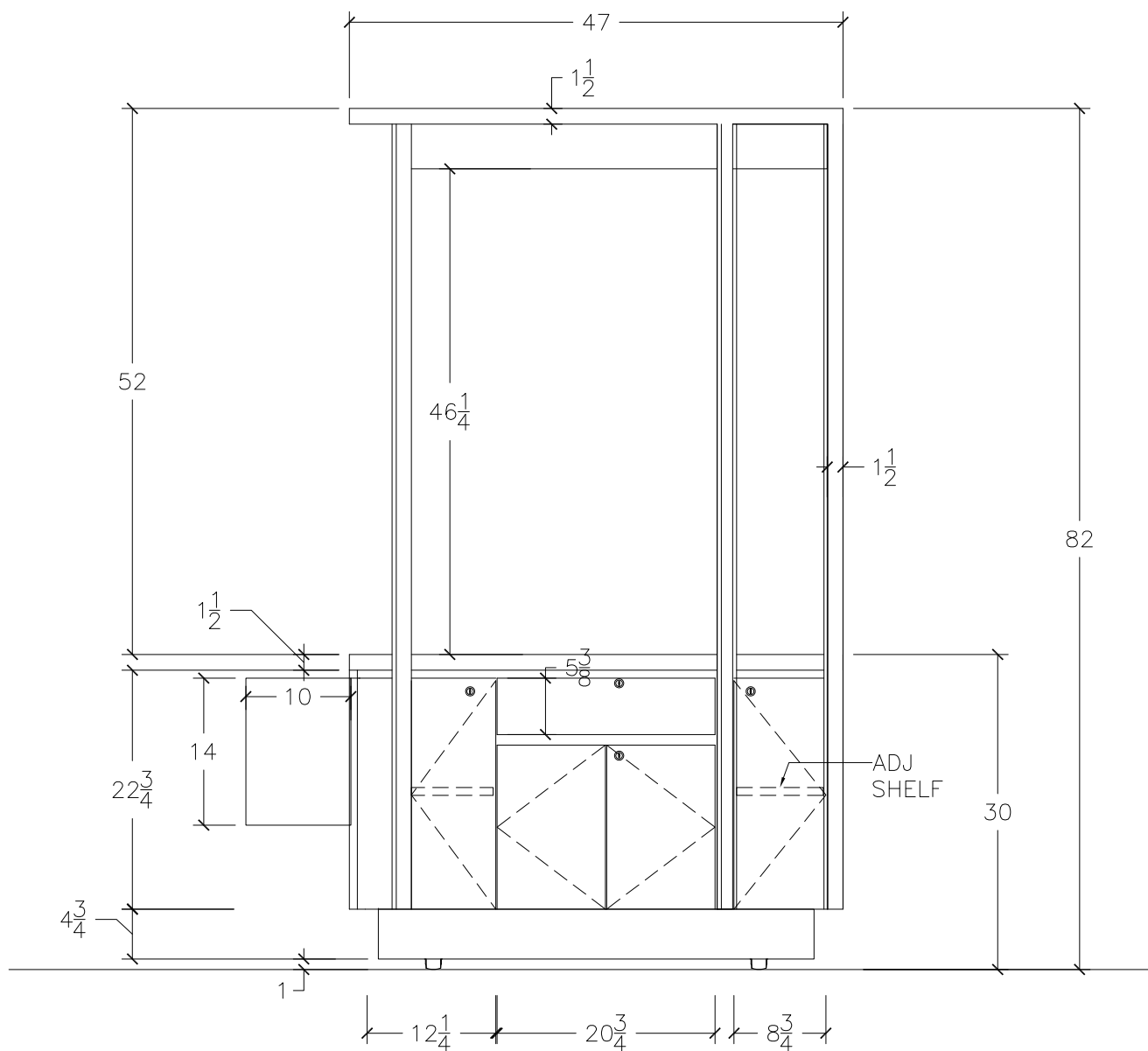
DRAWING
CURVED RAIL RMU
47" X 96" X 82"H

JOB#

QUEENS CENTER

PAGE No.

A.10



END ELEVATION
SCALE: 3/4" = 1'



8520 WELLSFORD PLACE,
SANTA FE SPRINGS, CA 90670
PHONE 562 696 1400 FAX 562 696 1411
www.nbifixtures.com

QTY 5

DRAWN BY MJ

DATE 05/15/19

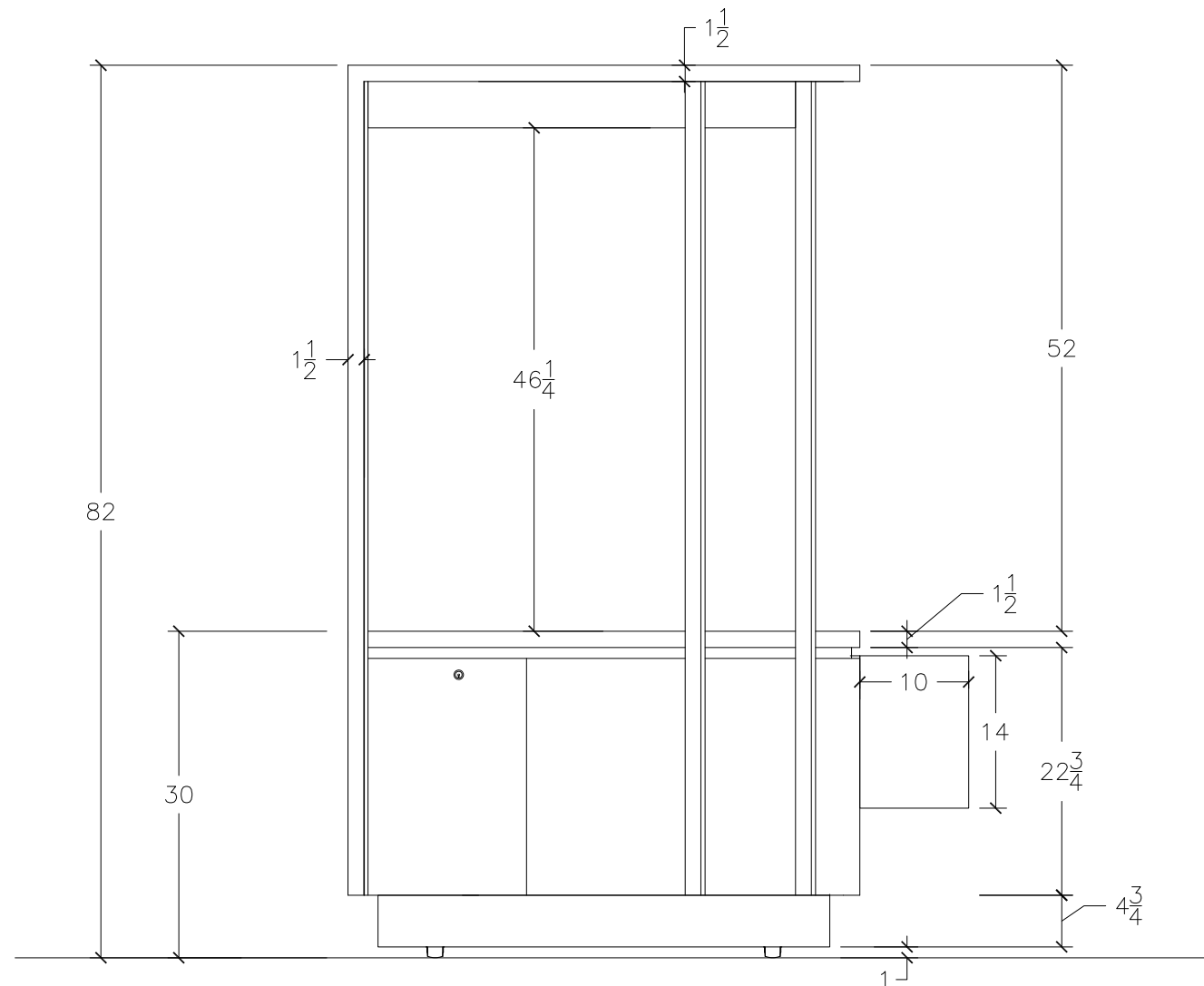
REVISED

1		3
2		4

CUSTOMER	MACERICH	
	DRAWING	CURVED RAIL RMU 47" X 96" X 82"H

JOB#
QUEENS CENTER

PAGE No.
A.11



END ELEVATION
SCALE: 3/4 " = 1 '



8520 WELLSFORD PLACE,
SANTA FE SPRINGS, CA 90670
PHONE 562 696 1400 FAX 562 696 1411
www.nbifixtures.com

QTY 5

DRAWN BY MJ

DATE 05/15/19

REVISED

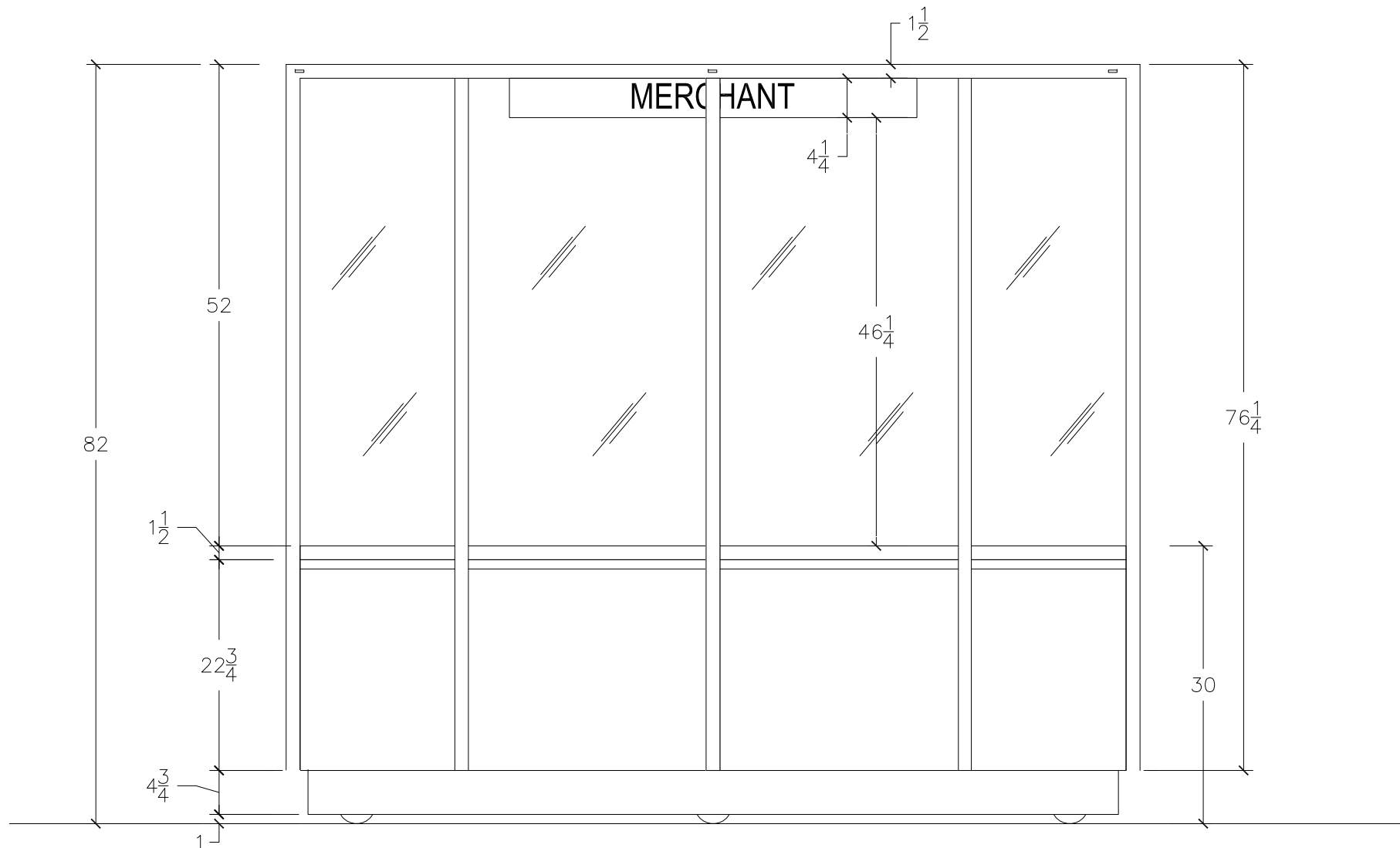
1		3
2		4

CUSTOMER	MACERICH	
	DRAWING	CURVED RAIL RMU 47" X 96" X 82"H

JOB#
QUEENS CENTER

PAGE No.

A.12



SIDE ELEVATION

SCALE: 3/4" = 1'



8520 WELLSFORD PLACE,
SANTA FE SPRINGS, CA 90670
PHONE 562 696 1400 FAX 562 696 1411
www.nbifixtures.com

QTY 5

DRAWN BY MJ

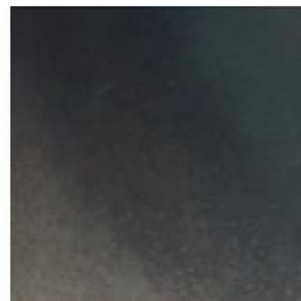
DATE 05/15/19

REVISED

1		3	
2		4	



**FORMICA 6416-NT
CHARRED FORMWOOD**



HOT ROLL STEEL



**STONIA-WHITE
SOLID SURFACE**

CUSTOMER	MACERICH		
	DRAWING	CURVED RAIL RMU 47" X 96" X 82"H	

JOB#
QUEENS CENTER

PAGE No.
A.13

MATERIAL SAMPLE
SCALE: N.T.S