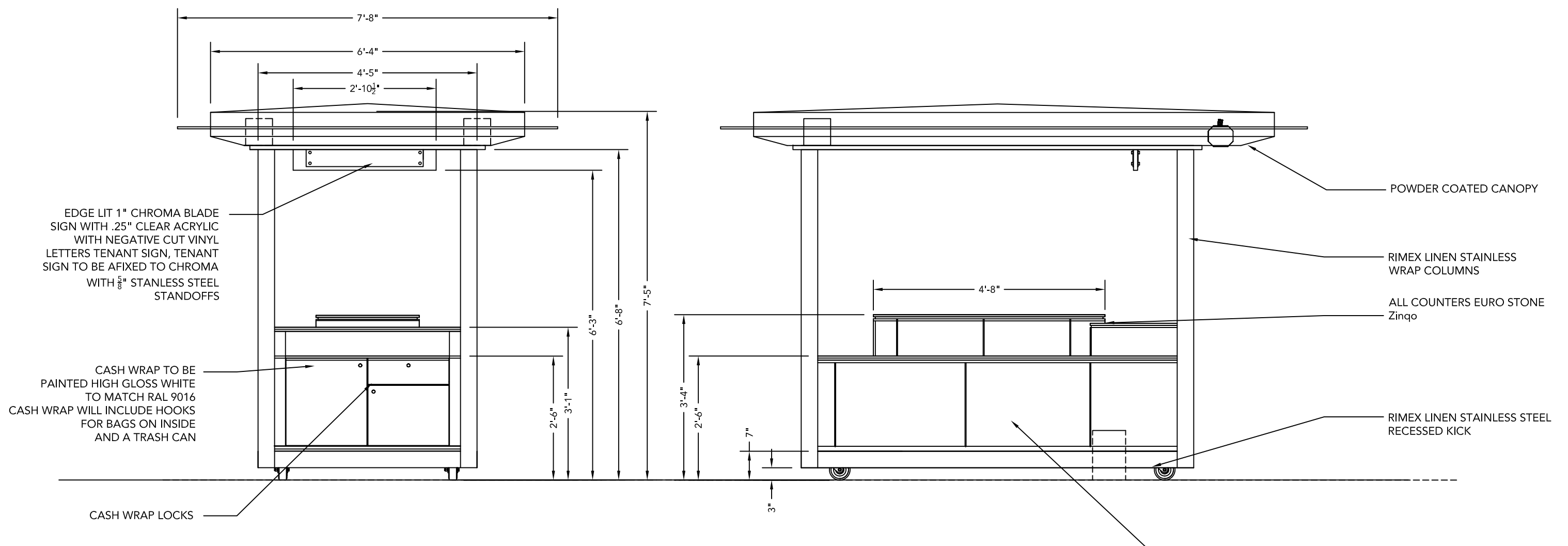


ELEV.	ELEVATION- STORAGE END
1	SCALE: 1/2"=1'-0"

ELEV.	ELEVATION-SIDE
2	SCALE: 1/2"=1'-0"

		CLIENT: MACERICH	JOB NUMBER: REB.3085	DATE: 1.14.2010
		JOB NAME: SANTA MONICA PLACE	DROSK TYPE: RMU	CITY: NA
JOB DESCRIPTION: CUSTOM EXTERIOR		DRAWING FILE: MACERICH V14 2D CAD.DWG	SHEET: 2 OF 5	PLOT SCALE: 1:1
DESIGNER: D. CLARK	DETAILER: J. MOELLER	PROJECT MANAGER: D. ARIENT	FACILITY: STAK DESIGN INC. 1540 LUNA ROAD CARROLLTON, TX 75006	
G.COIN: 	L.W.KEOWNE: 	DATE: 	PHONE: 972.323.0100	FAX: 972.323.0126
This drawing, and the information contained herein, is the property of STAK Design INC. It may not be reproduced or copied in whole or in part. Any unauthorized use on any other project may be subject to penalty by law.		WWW.STAKDESIGN.COM		

FILE NAME: T:\CONSTRUCTION\CONSTRUCTION 2010\W\MACERICH\SANTA MONICA PLACE\REB.3085\DESIGN\2D CAD\MACERICH V14 2D CAD.DWG



EDGE LIT 1" CHROMA BLADE SIGN WITH .25" CLEAR ACRYLIC WITH NEGATIVE CUT VINYL LETTERS TENANT SIGN, TENANT SIGN TO BE AFIXED TO CHROMA WITH 3/8" STAINLESS STEEL STANDOFFS

CASH WRAP TO BE PAINTED HIGH GLOSS WHITE TO MATCH RAL 9016 CASH WRAP WILL INCLUDE HOOKS FOR BAGS ON INSIDE AND A TRASH CAN

CASH WRAP LOCKS

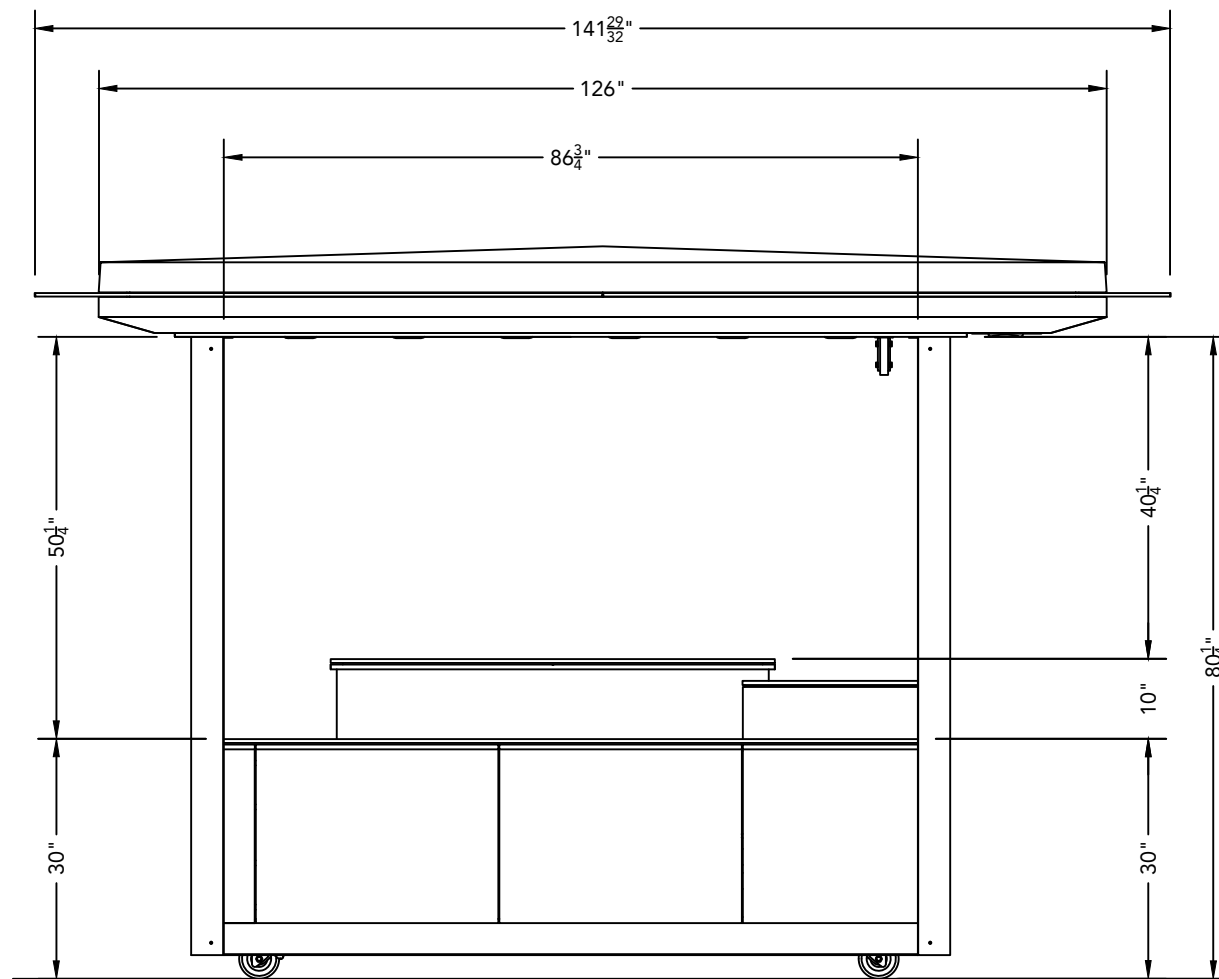
POWDER COATED CANOPY
RIMEX LINEN STAINLESS WRAP COLUMNS
ALL COUNTERS EURO STONE Zinco
RIMEX LINEN STAINLESS STEEL RECESSED KICK

ALL CABINET FACES TO BE PAINTED HIGH GLOSS WHITE TO MATCH RAL 9016

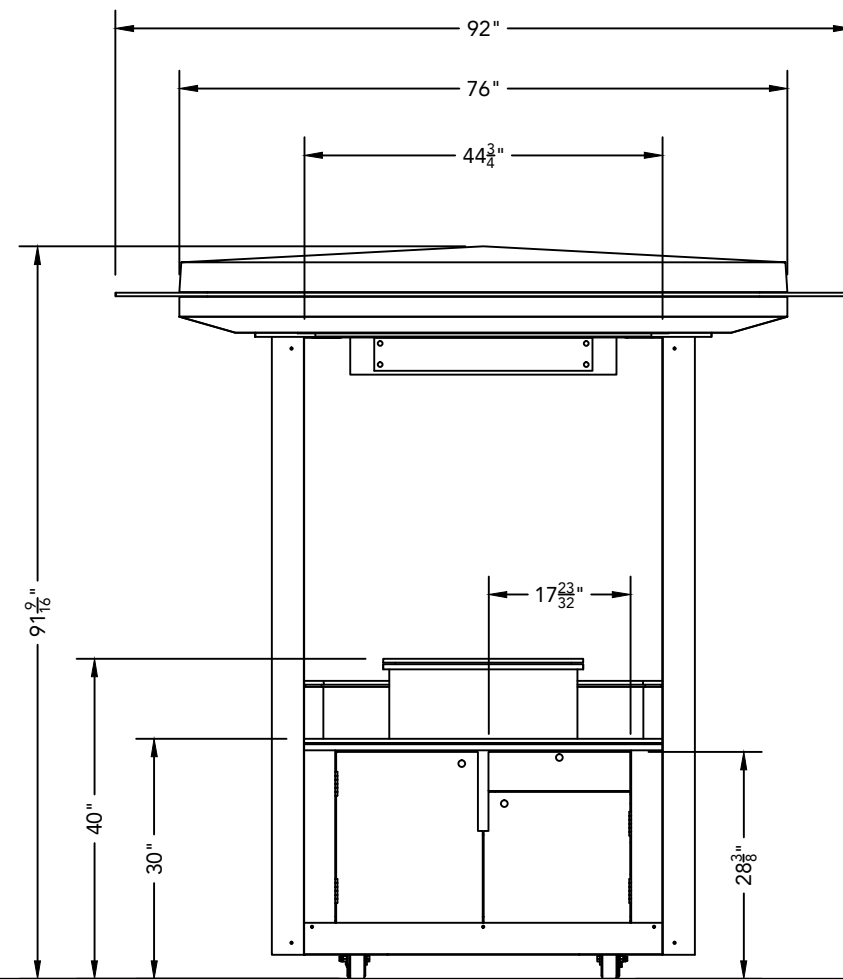
ELEV.	ELEVATION- CASH WRAP
1	SCALE: 1/2"=1'-0"

ELEV.	ELEVATION-SIDE
2	SCALE: 1/2"=1'-0"

STAK DESIGN		JOB NUMBER: REB.3085	DATE: 1.14.2010
CLIENT: MACERICH		ROOM TYPE: RMU	CITY: NA
JOB NAME: SANTA MONICA PLACE		DRAWINGS FEE: MACERICH V14 2D CAD.DWG	
JOB DESCRIPTION: CUSTOM EXTERIOR		SHEET: 1 OF 5	PLOT SCALE: 1:1
DESIGNER: D. CLARK	DETAILER: J. MOELLER	PROJECT MANAGER: D. ARIENT	FACILITY: STAK DESIGN INC. 1540 LUNA ROAD CARROLLTON, TX 75006
G.COOR:	L.W.KEOWN	This drawing, and the information contained herein, is the property of STAK Design INC. It may not be reproduced or copied in whole or in part. Any unauthorized use on any other project may be subject to penalty by law.	
DATE:	DATE:	PHONE: 972.323.0100	FAX: 972.323.0126
		WEB: WWW.STAKDESIGN.COM	



ELEV	REAR ELEVATION
3	SCALE: 3/4"=1'-0"

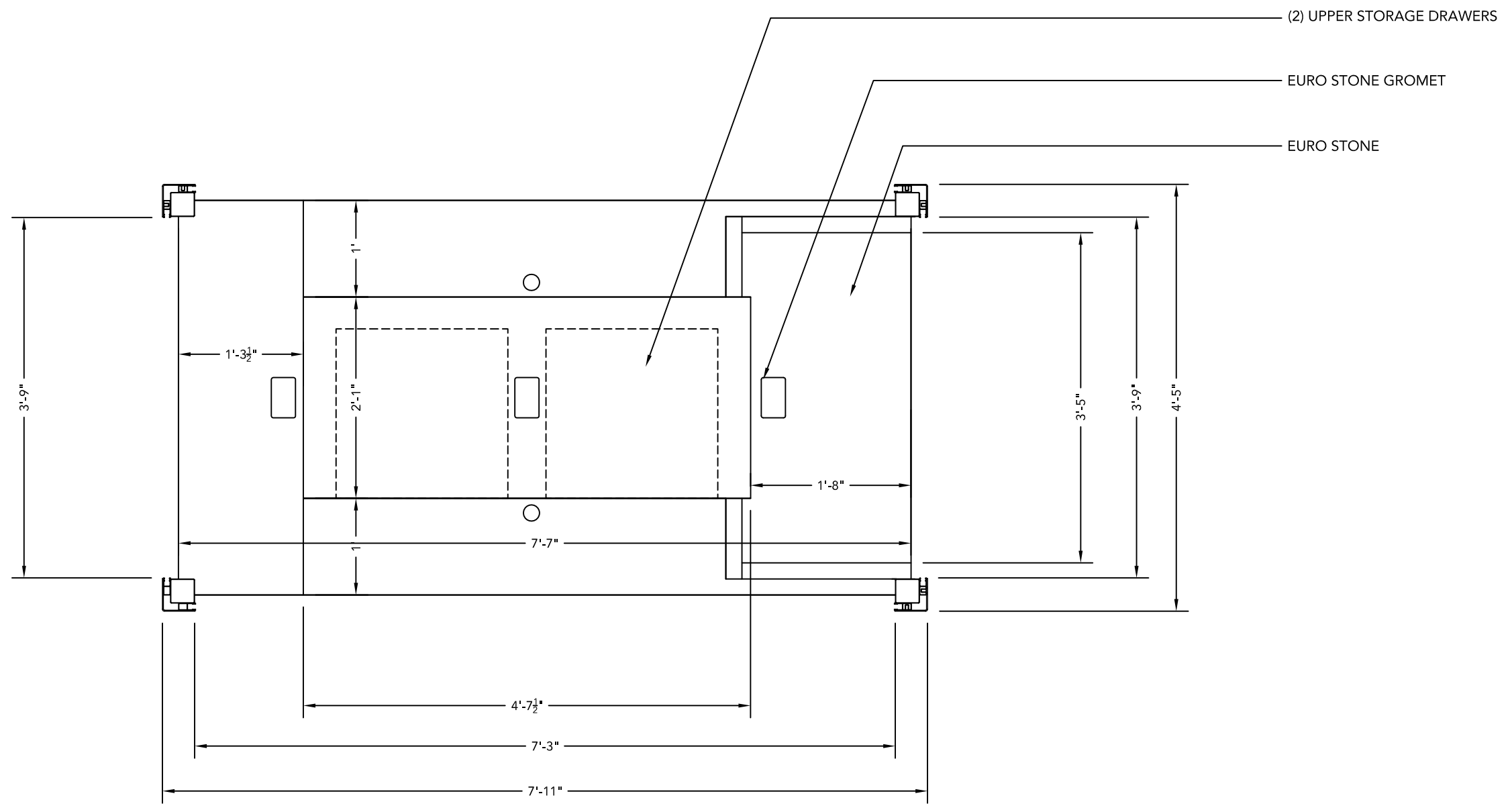


ELEV	CASH END ELEVATION
4	SCALE: 3/4"=1'-0"

STAK DESIGN

CLIENT: MACERICH		JOB NUMBER: RE8.3085	DATE: 6.8.2010
JOB NAME: SANTA MONICA PLACE		MOCK TYPE: EXTERIOR	CITY: 16
JOB DESCRIPTION: CUSTOM EXTERIOR RETAIL UNIT		DRAWING FILE: RE8.3085-SMP_D01.DWG	SHEET: 4 OF 5
DESIGNER: D. CLARK	DETAILER: J. MOELLER	PROJECT MANAGER: L. PATZ	FACILITY: STAK DESIGN INC. 1540 LUNA ROAD CARROLLTON, TX 75006
DATE:	DATE:	This drawing, and the information contained herein, is the property of STAK Design INC. It may not be reproduced or copied in whole or in part. Any unauthorized use on any other project may be subject to penalty by law.	
PHONE: 972.323.0100		FAX: 972.323.0126	
WEB: WWW.STAKDESIGN.COM			

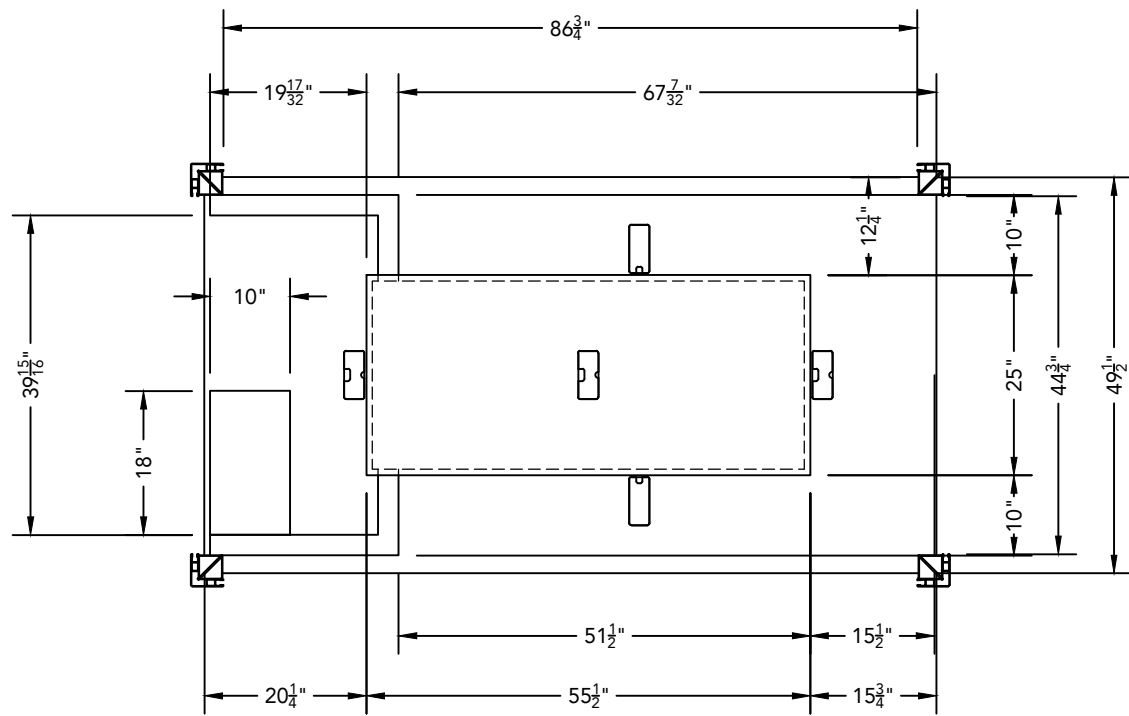
FILE NAME: T:\CONSTRUCTION\CONSTRUCTION 2010\MACERICH\SANTA MONICA PLACE\REB.3085\DESIGN\2D CAD\MACERICH V14 2D CAD.DWG



PLAN	PLAN AT COUNTER
1	SCALE: 3/4"=1'-0"

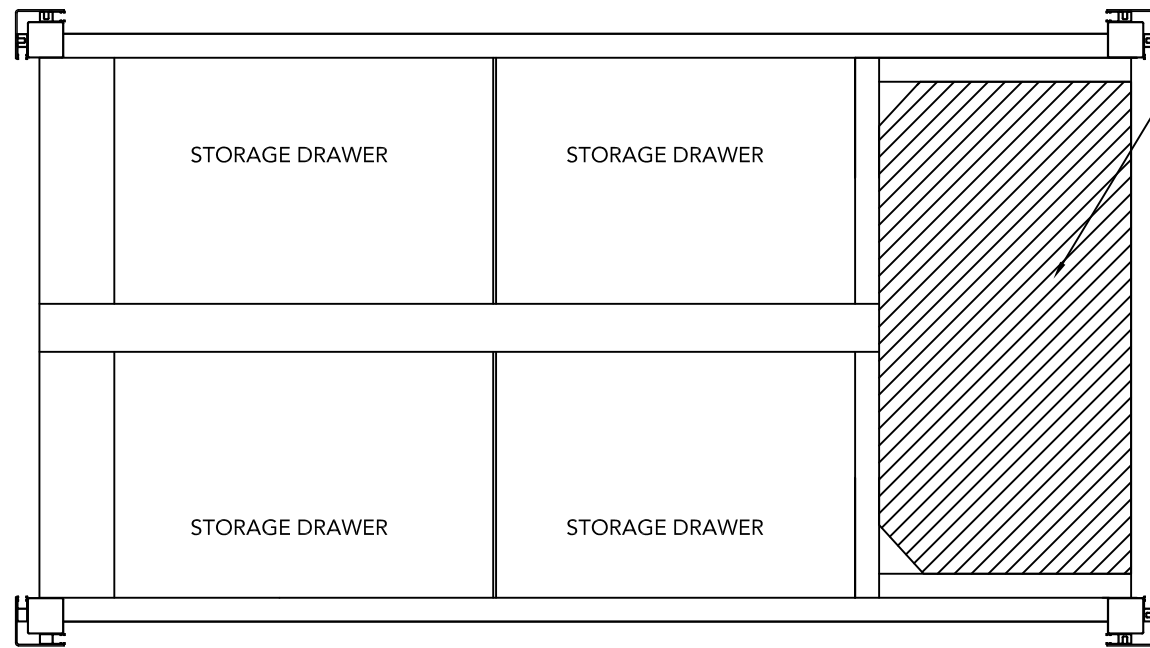
		JOB NUMBER:	REB.3085	DATE:	1.14.2010
		CLIENT:	MACERICH		
JOB NAME:		SANTA MONICA PLACE			
JOB DESCRIPTION:		CUSTOM EXTERIOR			
DESIGNER:	D. CLARK	DETAILER:	J. MOELLER	PROJECT MANAGER:	D. ARIENT
G.COOR:		L.W.KEOVN:		FACILITY: STAK DESIGN INC. 1540 LUNA ROAD CARROLLTON, TX 75006	
DATE:		DATE:		PHONE: 972.323.0100	FAX: 972.323.0126
				WWW.STAKDESIGN.COM	

FILE NAME: T:\CONSTRUCTION\CONSTRUCTION 2010\11\MACERICH\SANTA MONICA PLACE\REB.3085\DESIGN\2D CAD\REB.3085-SMP_D01.DWG

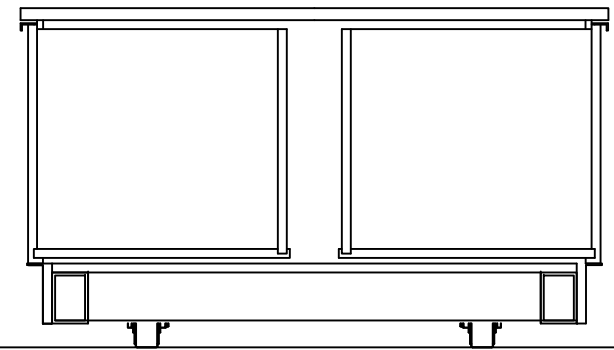


PLAN	PLAN @ COUNTER
2	SCALE: 1/2"=1'-0"

		CLIENT: MACERICH	JOB NUMBER: REB.3085	DATE: 6.8.2010
		JOB NAME: SANTA MONICA PLACE	MOSK TYPE: EXTERIOR	CITY: 16
JOB DESCRIPTION: CUSTOM EXTERIOR RETAIL UNIT		DRAWING FILE: REB.3085-SMP_D01.DWG	SHEET: 5 OF 5	PLOT SCALE: 1:1
DESIGNER: D.CLARK	DETAILER: J.MOELLER	PROJECT MANAGER: L.PATZ	FACILITY: STAK DESIGN INC. 1540 LUNA ROAD CARROLLTON, TX 75006	
DATE:		PHONE: 972-323.0100		FAX: 972.323.0126
This drawing, and the information contained herein, is the property of STAK Design INC. It may not be reproduced or copied in whole or in part. Any unauthorized use on any other project may be subject to penalty by law.		WWW.STAKDESIGN.COM		



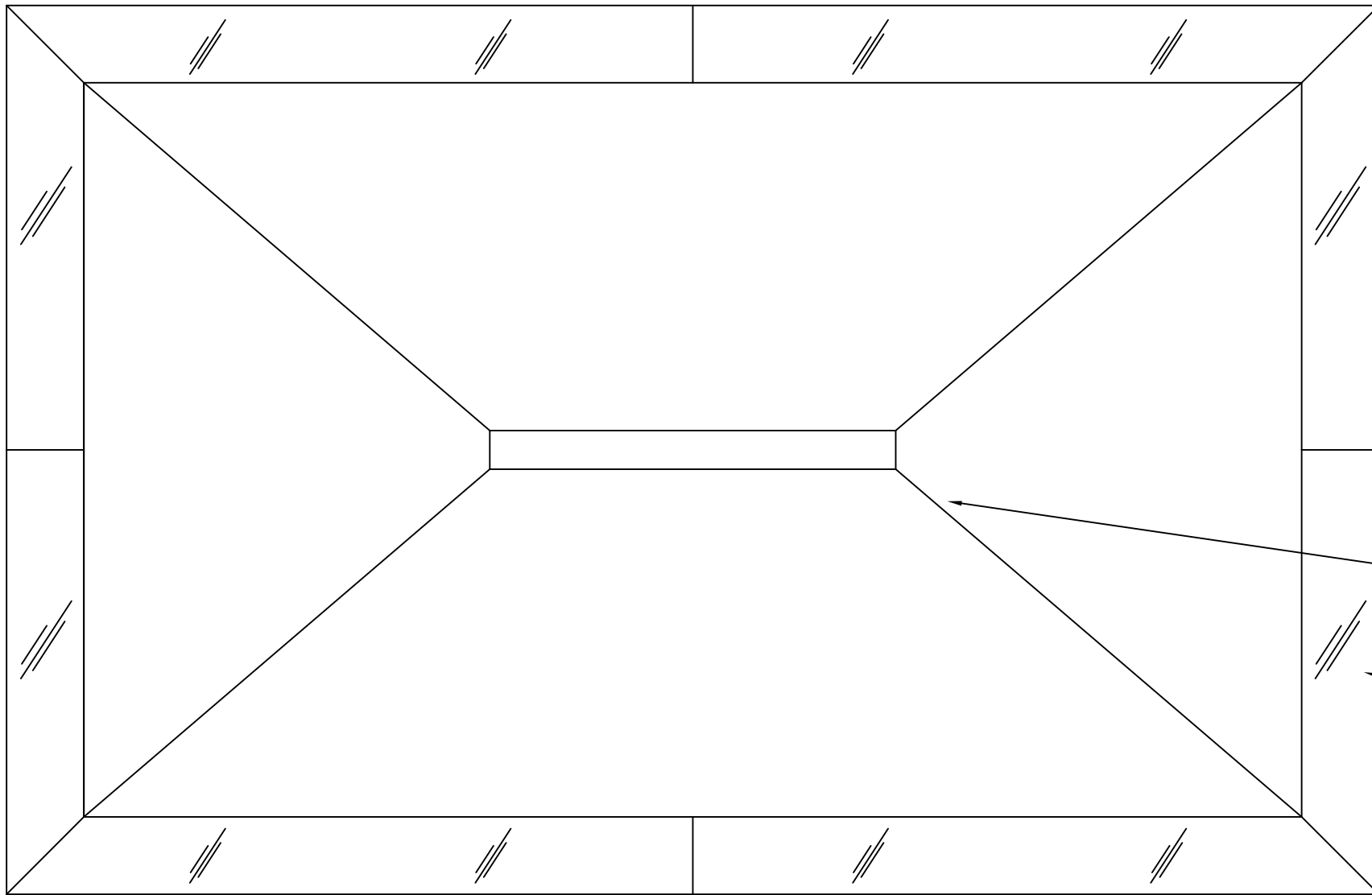
OPEN AREA WITH FALSE BOTTOM UNDER THE UNIT TO ALLOW FOR PLACEMENT OF THE ELECTRICAL BALLAST.



PLAN	SECTION PLAN
1	SCALE: 3/4" = 1'-0"

ELEV	SECTION
1	SCALE: 3/4" = 1'-0"

STAK DESIGN		JOB NUMBER: RE8.3085	DATE: 1.14.2010
CLIENT: MACERICH		ROOM TYPE: RMU	CITY: NA
JOB NAME: SANTA MONICA PLACE		DRAWINGS FEE: MACERICH V14 2D CAD.DWG	
JOB DESCRIPTION: CUSTOM EXTERIOR		SHEET: 3 OF 5	PLOT SCALE: 1:1
DESIGNER: D. CLARK	DETAILER: J. MOELLER	PROJECT MANAGER: D. ARIENT	FACILITY: STAK DESIGN INC. 1540 LUNA ROAD CARROLLTON, TX 75006
G.COOR: DATE:	L.W.KEOWN DATE:	This drawing, and the information contained herein, is the property of STAK Design INC. It may not be reproduced or copied in whole or in part. Any unauthorized use on any other project may be subject to penalty by law.	
PHONE: 972.323.0100		FAX: 972.323.0126	
WEB: WWW.STAKDESIGN.COM			



POWDER COATED CANOPY CAP

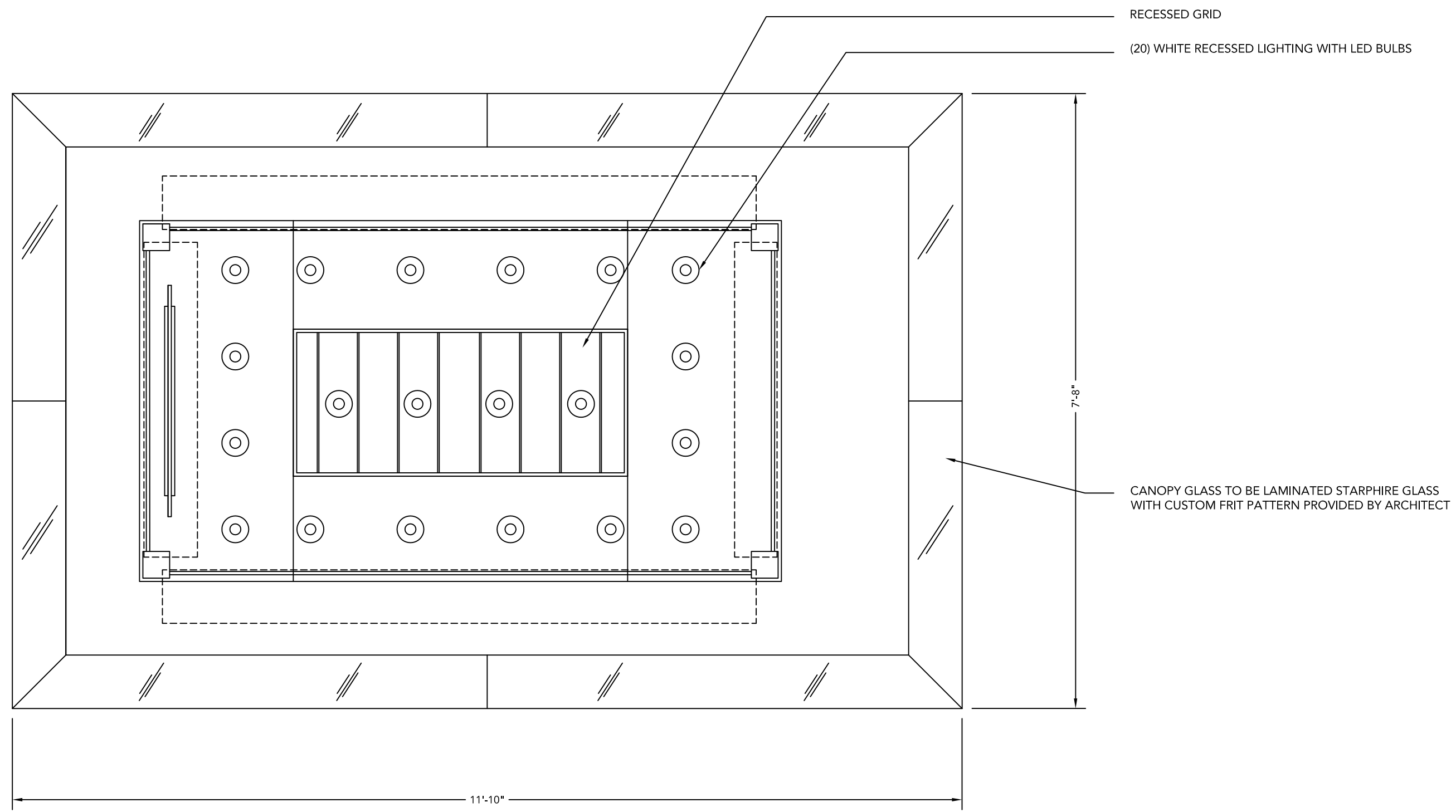
CANOPY GLASS TO BE LAMINATED STARPHIRE GLASS WITH CUSTOM FRIT PATTERN PROVIDED BY ARCHITECT

PLAN	PLAN AT CANOPY
1	SCALE: 3/4" = 1'-0"

STAK DESIGN		JOB NUMBER: REB.3085	DATE: 1.14.2010
CLIENT: MACERICH		ROOM TYPE: RMU	CITY: NA
JOB NAME: SANTA MONICA PLACE		DRAWING FILE: MACERICH V14 2D CAD.DWG	
JOB DESCRIPTION: CUSTOM EXTERIOR		SHEET: 5 OF 5	PLOT SCALE: 1:1
DESIGNER: D. CLARK	DETAILER: J. MOELLER	PROJECT MANAGER: D. ARIENT	
G.COIN:	L.W.KEOWN:	FACILITY: STAK DESIGN INC. 1540 LUNA ROAD CARROLLTON, TX 75006	
DATE:	DATE:	This drawing, and the information contained herein, is the property of STAK Design INC. It may not be reproduced or copied in whole or in part. Any unauthorized use on any other project may be subject to penalty by law.	
		PHONE: 972.323.0100	FAX: 972.323.0126
		WEB: WWW.STAKDESIGN.COM	

FILE NAME:T:\CONSTRUCTION\CONSTRUCTION 2010\MMACERICH\SANTA MONICA PLACE\REB.3085\DESIGN\2D CAD\MMACERICH V14 2D CAD.DWG

FILE NAME: T:\CONSTRUCTION\CONSTRUCTION 2010\MMACERICH\SANTA MONICA PLACE\REB.3085\DESIGN\2D CAD\MMACERICH V14 2D CAD.DWG



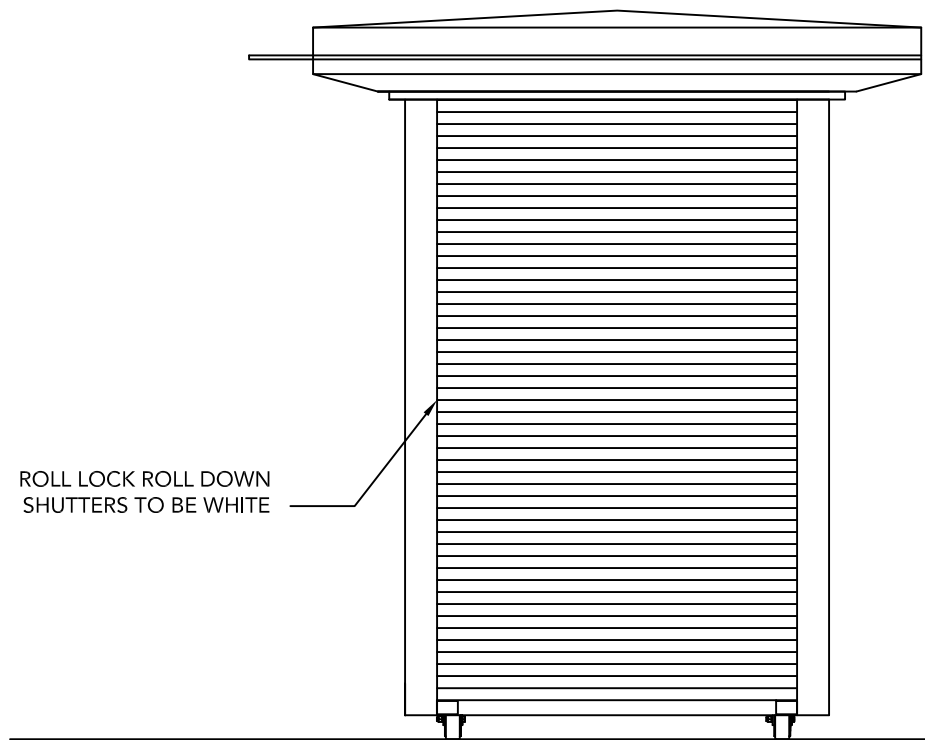
PLAN	REFLECTED CEILING PLAN
1	SCALE: 3/4" = 1'-0"

STAK DESIGN

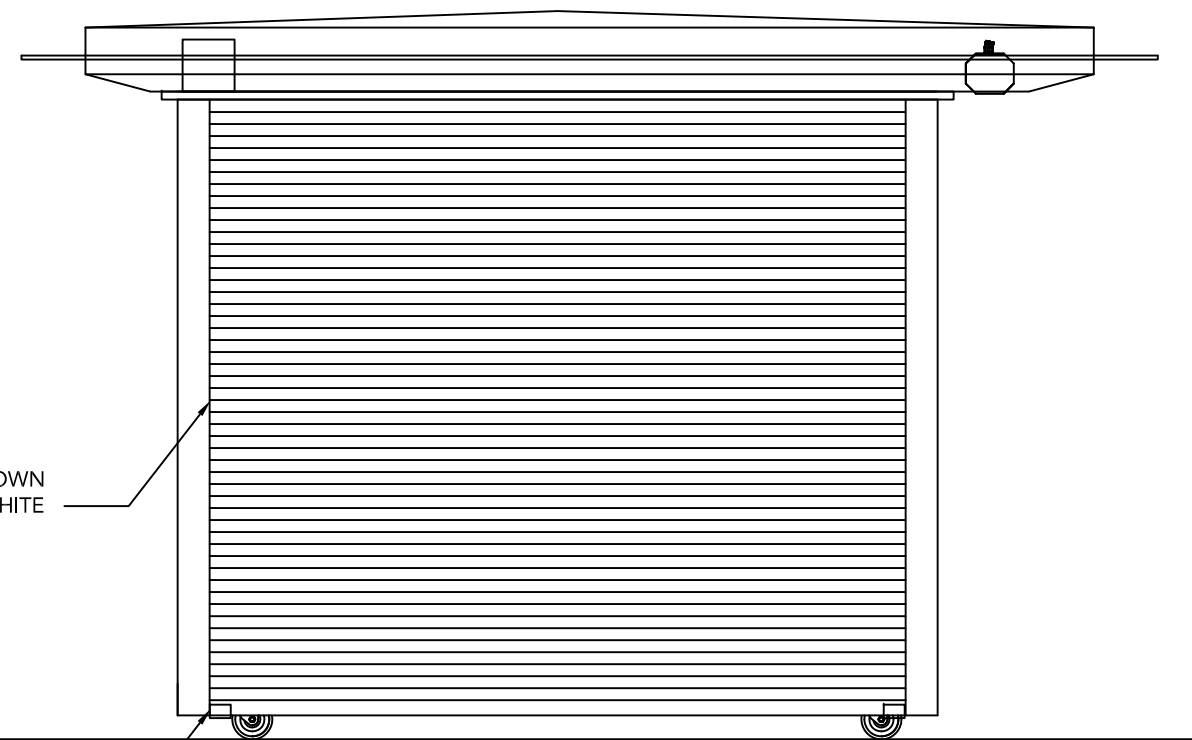
CLIENT: MACERICH		JOB NUMBER: REB.3085	DATE: 1.14.2010
JOB NAME: SANTA MONICA PLACE		ROOM TYPE: RMU	CITY: NA
JOB DESCRIPTION: CUSTOM EXTERIOR		DRAWING FILE: MACERICH V14 2D CAD.DWG	
DESIGNER: D. CLARK	DETAILER: J. MOELLER	PROJECT MANAGER: D. ARIENT	FACILITY: STAK DESIGN INC. 1540 LUNA ROAD CARROLLTON, TX 75006
G.COIN:	L.W.KEOWN:		PHONE: 972.323.0100
DATE:	DATE:		FAX: 972.323.0126
		WWW.STAKDESIGN.COM	

This drawing, and the information contained herein, is the property of STAK Design INC. It may not be reproduced or copied in whole or in part. Any unauthorized use on any other project may be subject to penalty by law.

FILE NAME: T:\CONSTRUCTION\CONSTRUCTION 2010\11\MACERICH\SANTA MONICA PLACE\REB.3085\DESIGN\2D CAD\MACERICH V14 2D CAD.DWG



ROLL LOCK ROLL DOWN SHUTTERS TO BE WHITE



ROLL LOCK ROLL DOWN SHUTTERS TO BE WHITE

ROLL DOWN SHUTTERS TO BE SECURED WITH STAINLESS STEEL HASPS

ELEV.	ELEVATION- CASH WRAP
1	SCALE: 1/2"=1'-0"

ELEV.	ELEVATION-SIDE
2	SCALE: 1/2"=1'-0"

		JOB NUMBER:	REB.3085	DATE:	1.14.2010
		CLIENT:	MACERICH		
JOB NAME:		SANTA MONICA PLACE		CITY:	
JOB DESCRIPTION:		CUSTOM EXTERIOR		DRAWINGS FEE:	
DESIGNER:		DETAILER:	PROJECT MANAGER:	FACILITY:	
D. CLARK	J. MOELLER	D. ARIENT	STAK DESIGN INC.		
G.COHN	L.W.KEOWN		1540 LUNA ROAD		
DATE:	DATE:		CARROLLTON, TX 75006		
			PHONE:		
			972.323.0100		
			FAX:		
			972.323.0126		
			WEB:		
			WWW.STAKDESIGN.COM		