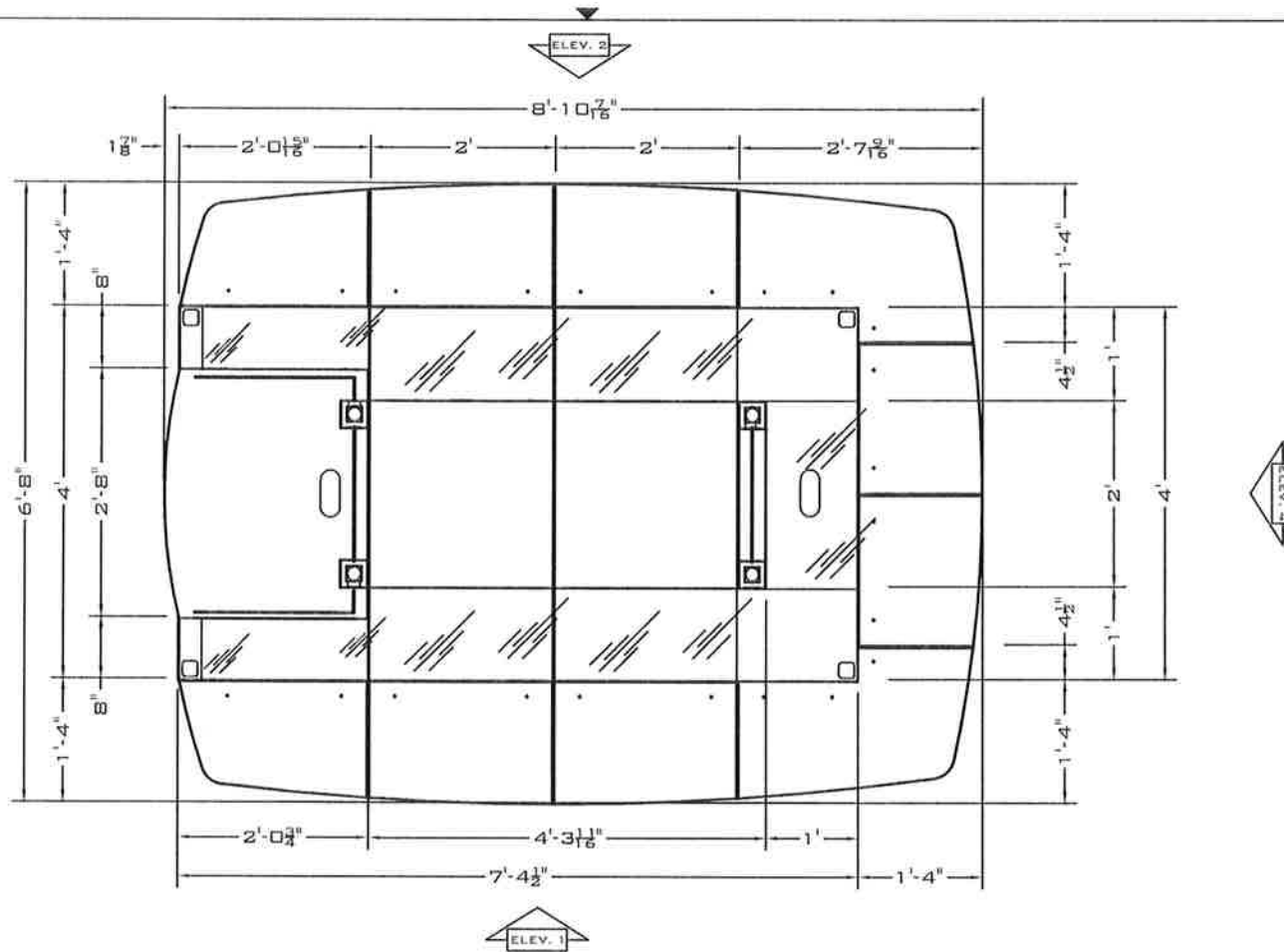


MERCHANDISING DIAGRAM

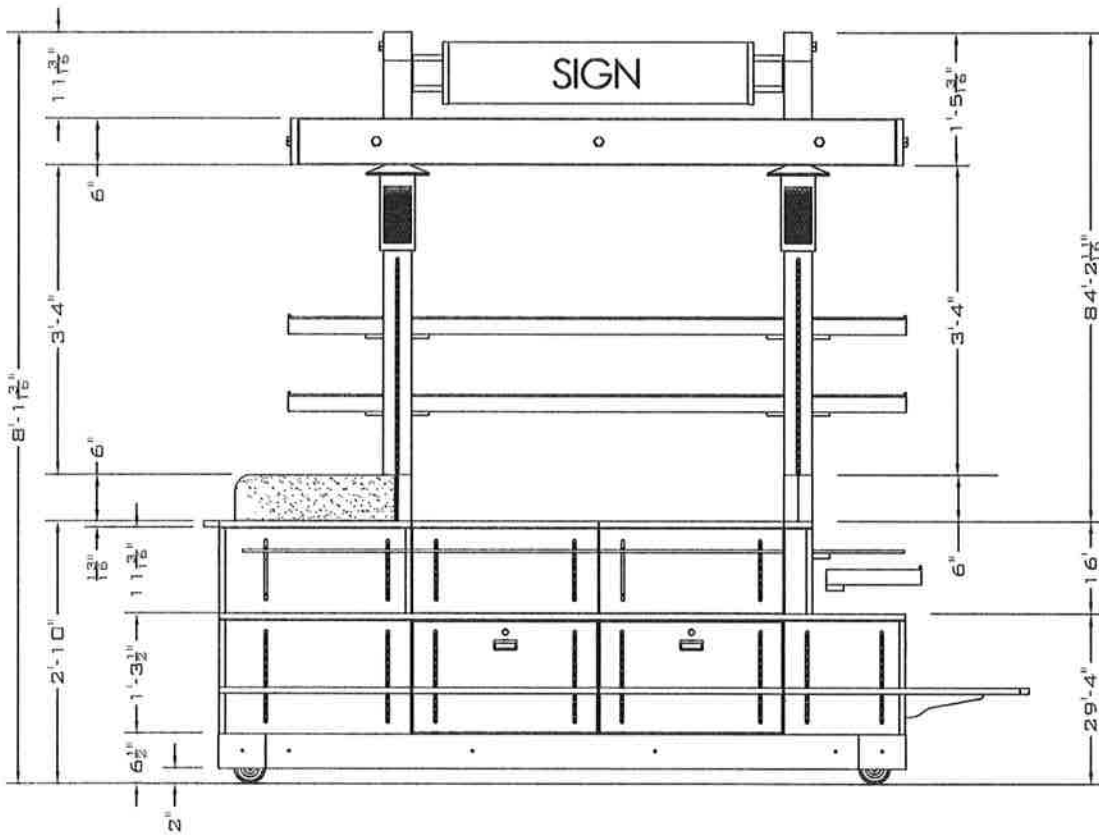


PLAN 1 PLAN AT COUNTER
SCALE: 3/4" = 1'-0"

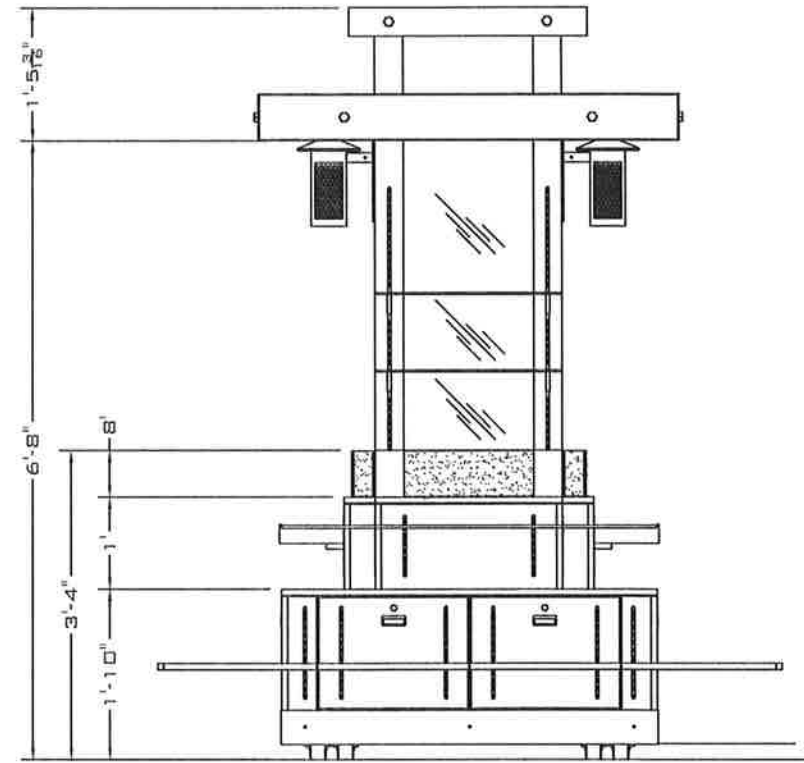
STAK DESIGN

PROJECT		DATE	NO. 3050	3.16.2005
MAGERICH		PROJECT	BIDDILAR STAL STEP	
VICTOR VALLEY		NO. 4		
MERCHANDISING DIAGRAM		PROJECT FILE	VICTOR VALLEY REVISED.DWG	
DESIGNER	DATE	SCALE	1:1	
BY	DATE	SCALE	1:1	
PROJECT MANAGER	DATE	SCALE	1:1	
STAK DESIGN INC.		1940 LUNA ROAD		
STAK DESIGN INC.		GANNHOLLON, TX 75006		
PHONE		800.333.0100 279.323.0100		
FAX		279.323.0100		
WWW.STAKDESIGN.COM				

MERCHANDISING DIAGRAM



ELEV. ELEVATION-SIDE FRONT
1 SCALE: 3/4"=1'-0"



ELEV. ELEVATION-STORAGE END
4 SCALE: 3/4"=1'-0"

STAK DESIGN		REV. NO.	DATE
		002-3070	3-16-2005
PROJECT		PROJECT	
MACERICH		MODULAR STAL STEP	
LOCATION		REV.	
VICTOR VALLEY		4	
PROJECT FILE		PROJECT FILE	
VICTOR VALLEY-REVISED.DWG		1-1	
SHEET NO.		SHEET NO.	
2 OF 4		1-1	
DESIGNED BY	DRAWN BY	PROJECT ADDRESS	
J. MOELLER	D. ADAMT	STAK DESIGN INC.	
DATE	DATE	1540 LUNA ROAD	
		GARRETTON, TX 75006	
		PHONE	
		972.383.0100 / 972.383.0126	
		WWW.STAKDESIGN.COM	