



RENDERING



8520 WELLSFORD PLACE,
 SANTA FE SPRINGS, CA 90670
 PHONE 562 696 1400 FAX 562 696 1411
 www.nbifixtures.com

QTY 12

DRAWN BY MJ

DATE 04/17/19

REVISED

1		3
2		4

CUSTOMER	MACERICH	DRAWING	RMU
	47" X 96" X 82"H		

JOB#
 THE MALL OF
 VICTOR VALLEY

PAGE No.
A.1



RENDERING



8520 WELLSFORD PLACE,
 SANTA FE SPRINGS, CA 90670
 PHONE 562 696 1400 FAX 562 696 1411
 www.nbifixtures.com

QTY 12

DRAWN BY MJ

DATE 04/17/19

REVISED

1		3
2		4

CUSTOMER	MACERICH	DRAWING	RMU
	47" X 96" X 82"H		

JOB#
 THE MALL OF
 VICTOR VALLEY

PAGE No.
A.2



RENDERING



8520 WELLSFORD PLACE,
SANTA FE SPRINGS, CA 90670
PHONE 562 696 1400 FAX 562 696 1411
www.nbifixtures.com

QTY 12

DRAWN BY MJ

DATE 04/17/19

REVISED

1		3
2		4

CUSTOMER	MACERICH	
	DRAWING	RMU 47" X 96" X 82"H

JOB#
THE MALL OF
VICTOR VALLEY

PAGE No.
A.3



RENDERING

NBI
NAKAMURA-BEEMAN, INC.
 8520 WELLSFORD PLACE,
 SANTA FE SPRINGS, CA 90670
 PHONE 562 696 1400 FAX 562 696 1411
 www.nbifixtures.com

QTY 12

DRAWN BY MJ

DATE 04/17/19

REVISED

1		3
2		4

CUSTOMER	MACERICH	DRAWING	RMU	47" X 96" X 82"H

JOB#
 THE MALL OF
 VICTOR VALLEY

PAGE No.
A.4



RENDERING



8520 WELLSFORD PLACE,
SANTA FE SPRINGS, CA 90670
PHONE 562 696 1400 FAX 562 696 1411
www.nbifixtures.com

QTY 12

DRAWN BY MJ

DATE 04/17/19

REVISED

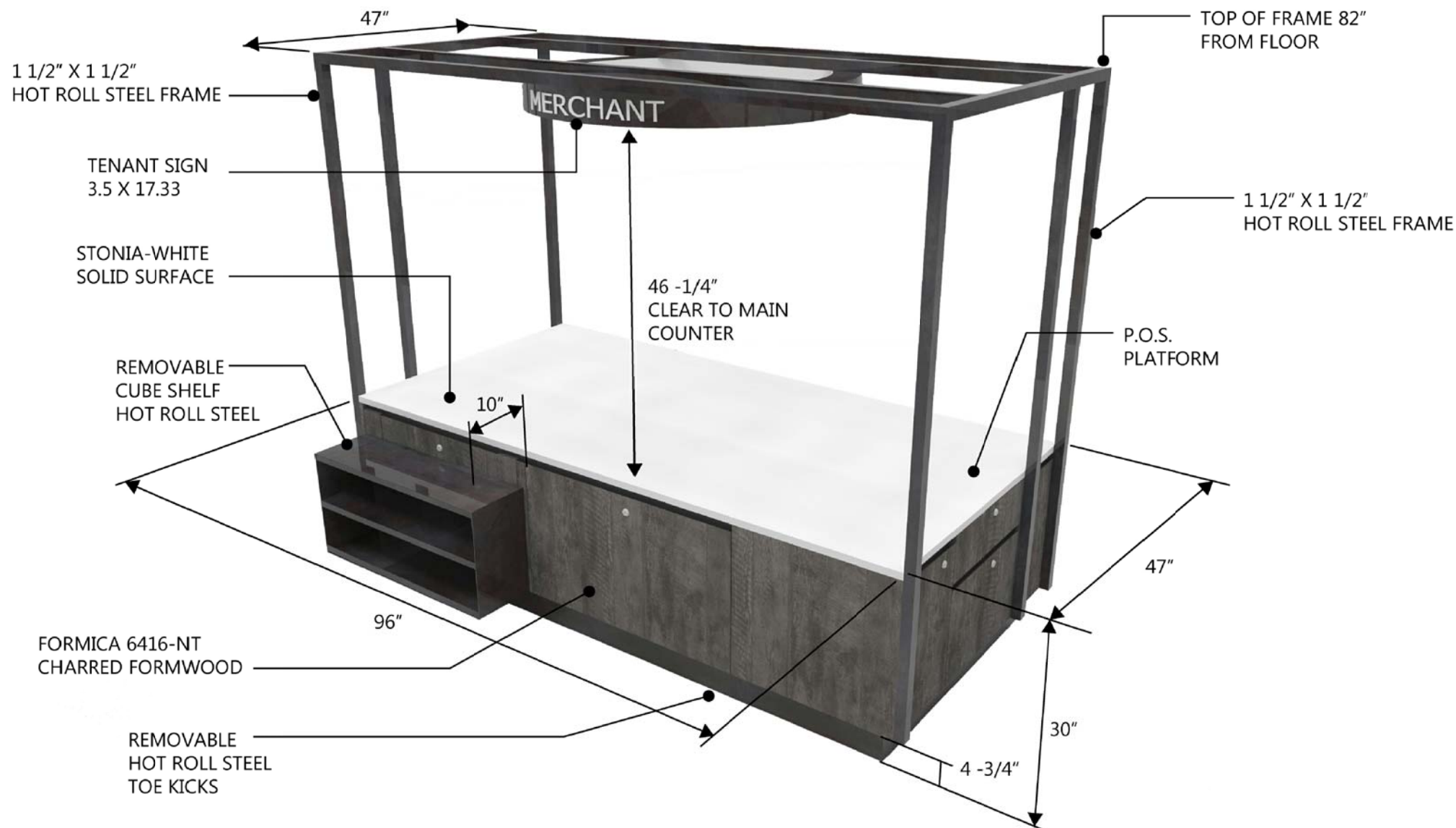
1		3	
2		4	

CUSTOMER	MACERICH		
	DRAWING	RMU 47" X 96" X 82"H	

JOB#
THE MALL OF
VICTOR VALLEY

PAGE No.

A.5



RENDERING

QTY 12

DRAWN BY MJ

DATE 04/17/19

REVISED

1		3
2		4

CUSTOMER	MACERICH	
	RMU	
DRAWING	47" X 96" X 82"H	

JOB#
 THE MALL OF
 VICTOR VALLEY

PAGE No.

A.6

QTY 12

DRAWN BY MJ

DATE 04/17/19

REVISED

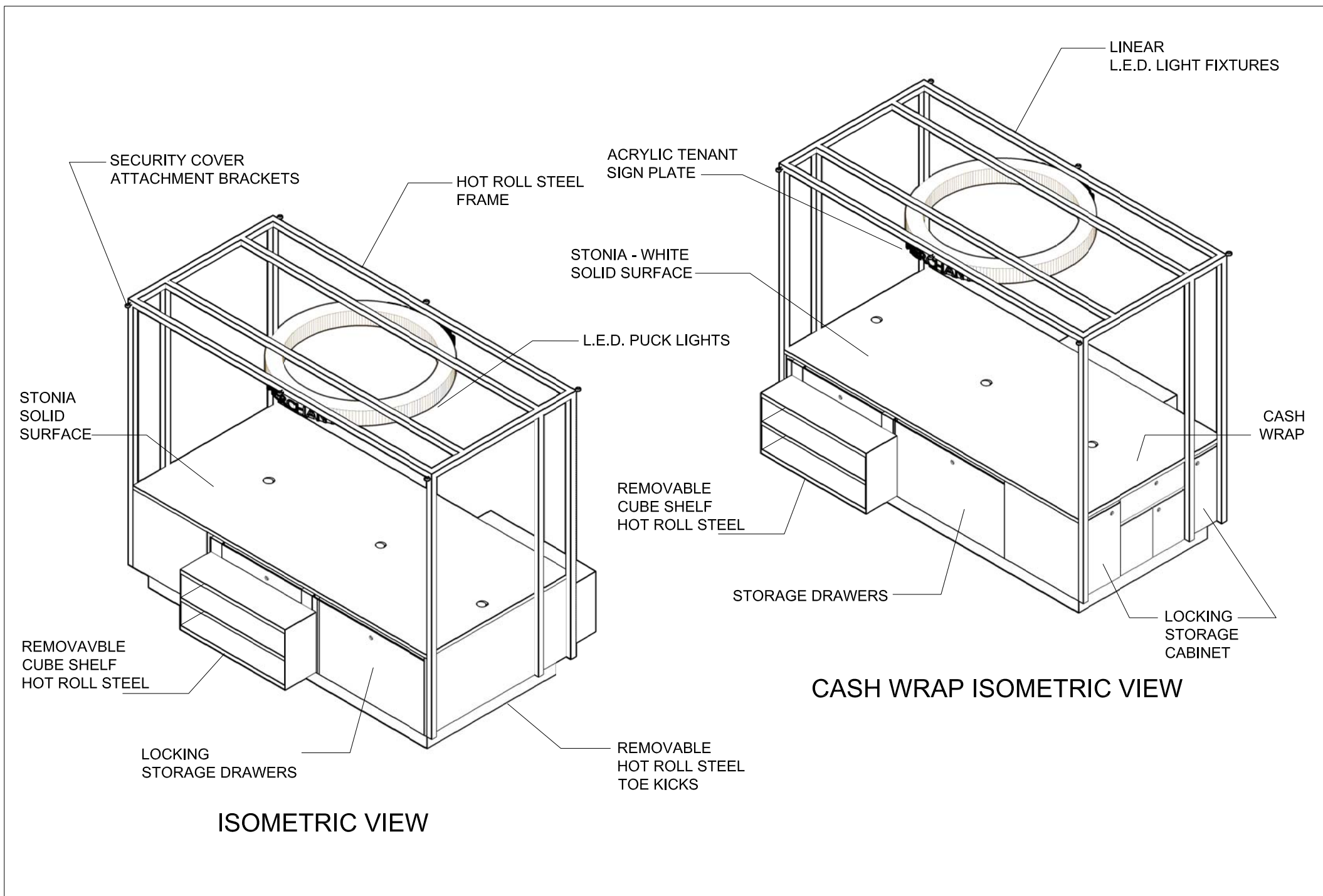
1		3
2		4

CUSTOMER	MACERICH
	DRAWING
	RMU 47" X 96" X 82"H

JOB#
 THE MALL OF
 VICTOR VALLEY

PAGE No.

A.7



ISOMETRIC VIEW

CASH WRAP ISOMETRIC VIEW



8520 WELLSFORD PLACE,
SANTA FE SPRINGS, CA 90670
PHONE 562 696 1400 FAX 562 696 1411
www.nbifixtures.com

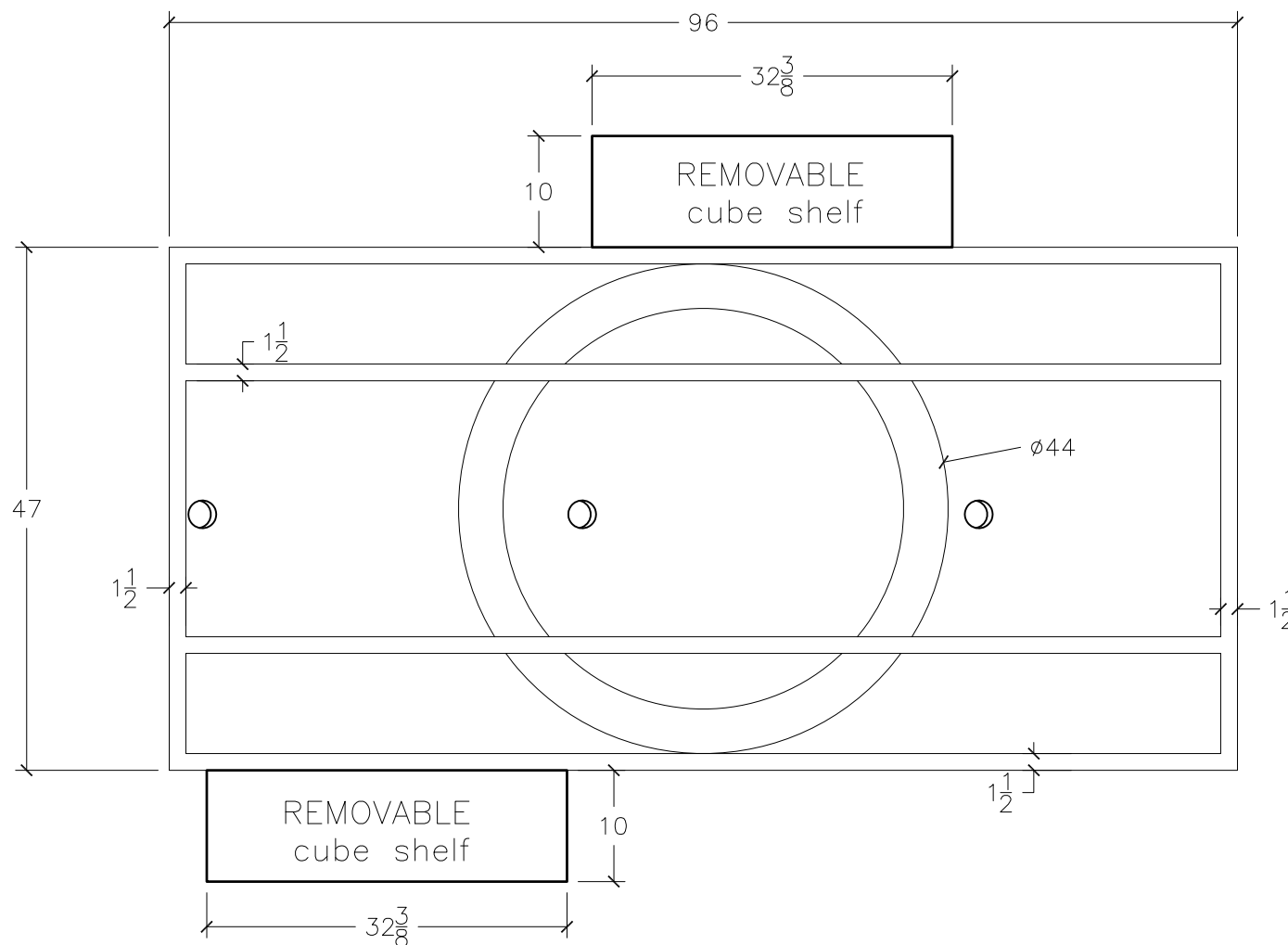
QTY 12

DRAWN BY MJ

DATE 04/17/19

REVISED

1		3
2		4



PLAN VIEW
SCALE: 3/4 " = 1 '

CUSTOMER	MACERICH
	RMU 47" X 96" X 82"H
DRAWING	

JOB#
THE MALL OF
VICTOR VALLEY

PAGE No.
A.8



8520 WELLSFORD PLACE,
 SANTA FE SPRINGS, CA 90670
 PHONE 562 696 1400 FAX 562 696 1411
 www.nbifixtures.com

QTY 12

DRAWN BY MJ

DATE 04/17/19

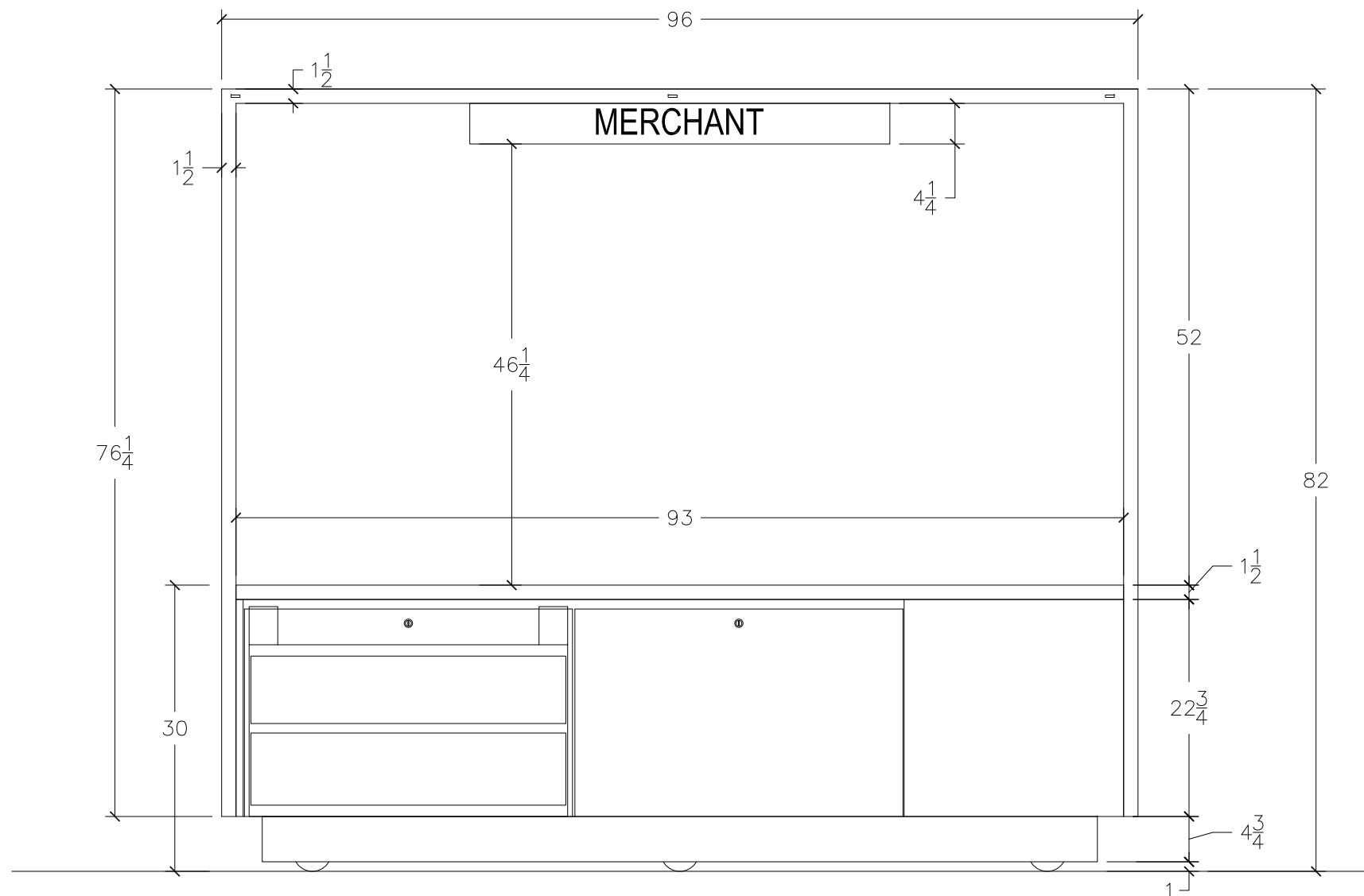
REVISED

1		3
2		4

CUSTOMER	MACERICH	
	DRAWING	RMU 47" X 96" X 82"H

JOB#
 THE MALL OF
 VICTOR VALLEY

PAGE No.
A.9



SIDE ELEVATION
 SCALE: 3/4 " = 1 '



8520 WELLSFORD PLACE,
 SANTA FE SPRINGS, CA 90670
 PHONE 562 696 1400 FAX 562 696 1411
 www.nbifixtures.com

QTY 12

DRAWN BY MJ

DATE 04/17/19

REVISED

1		3
2		4

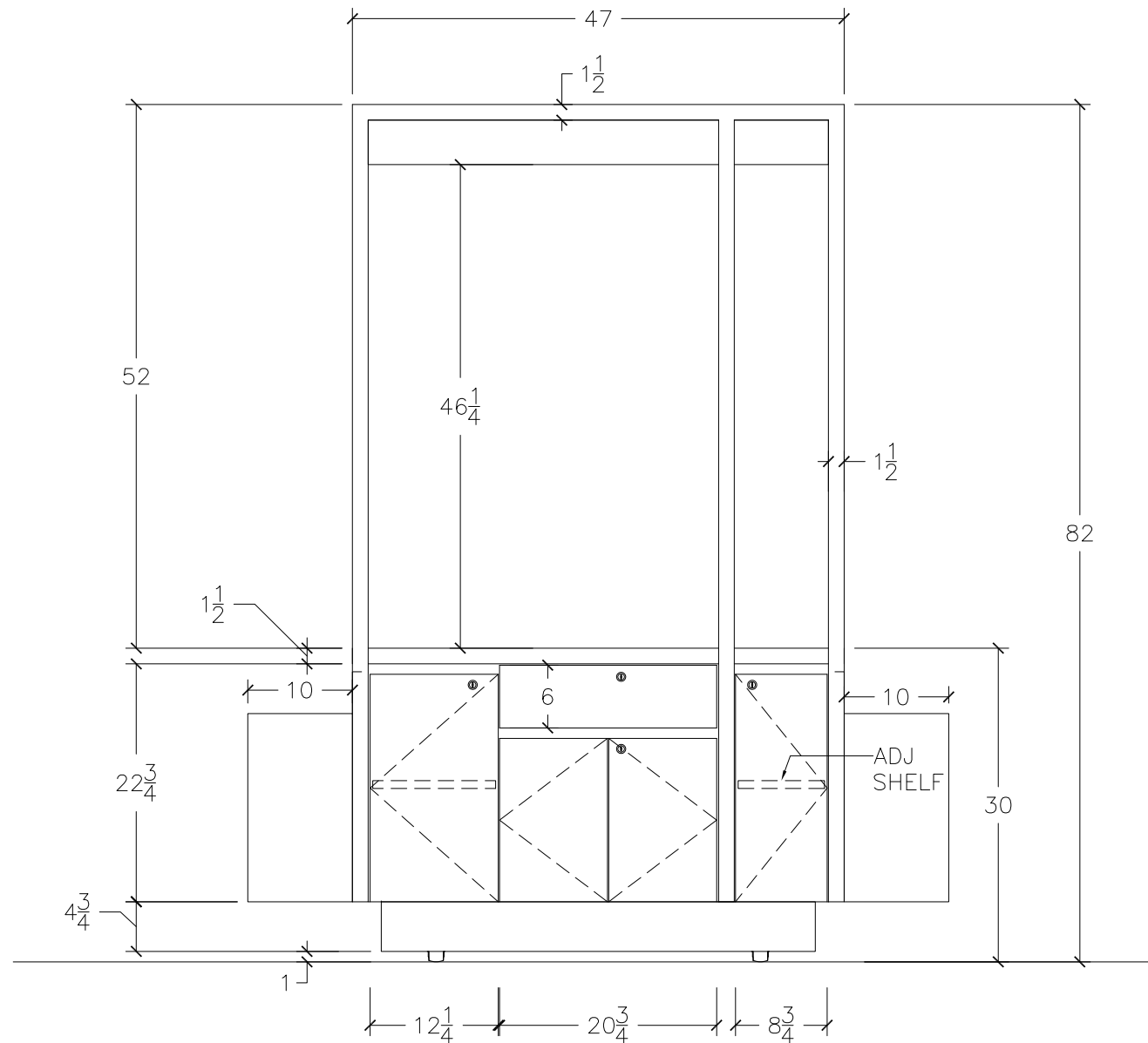
CUSTOMER
 MACERICH

DRAWING
 RMU
 47" X 96" X 82"H

JOB#
 THE MALL OF
 VICTOR VALLEY

PAGE No.

A.10



END ELEVATION
 SCALE: 3/4 " = 1 '



8520 WELLSFORD PLACE,
SANTA FE SPRINGS, CA 90670
PHONE 562 696 1400 FAX 562 696 1411
www.nbifixtures.com

QTY 12

DRAWN BY MJ

DATE 04/17/19

REVISED

1		3
2		4

CUSTOMER
MACERICH

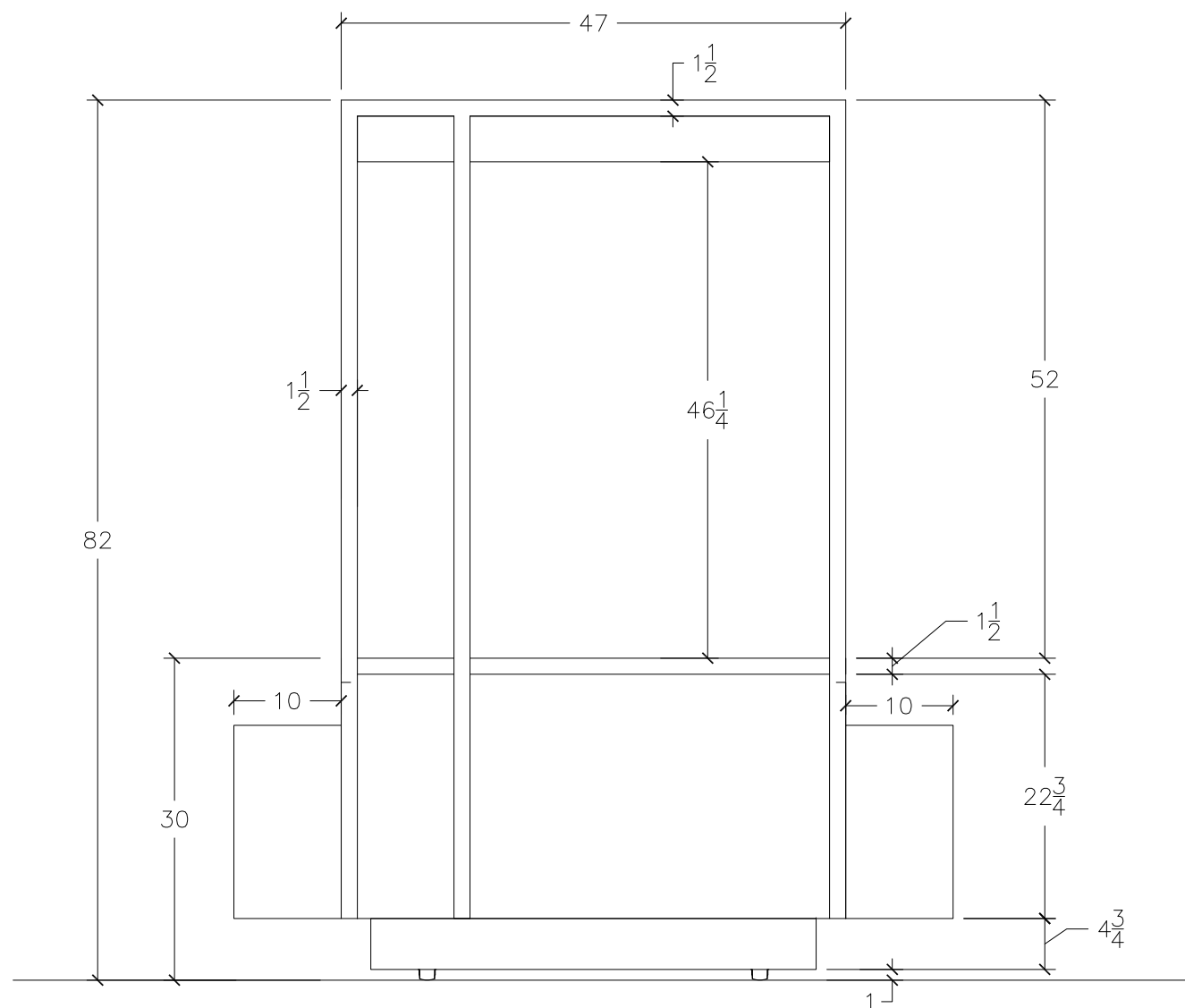
DRAWING
RMU
47" X 96" X 82"H

JOB#

THE MALL OF
VICTOR VALLEY

PAGE No.

A.11



END ELEVATION

SCALE: 3/4 " = 1 '

