

JOB NUMBER: R114.3006
 DATE: 5.7.2014
 CLIENT: MACERICH
 PROJECT: LAKEWOOD CENTER
 DESIGNER: Dan Clark
 DETAILER: J.VASQUEZ
 PROJECT MANAGER: L.PATZ
 QUANTITY: 20
 DRAWING FILE: MACERICH-LAKEWOOD CENTER_RMU

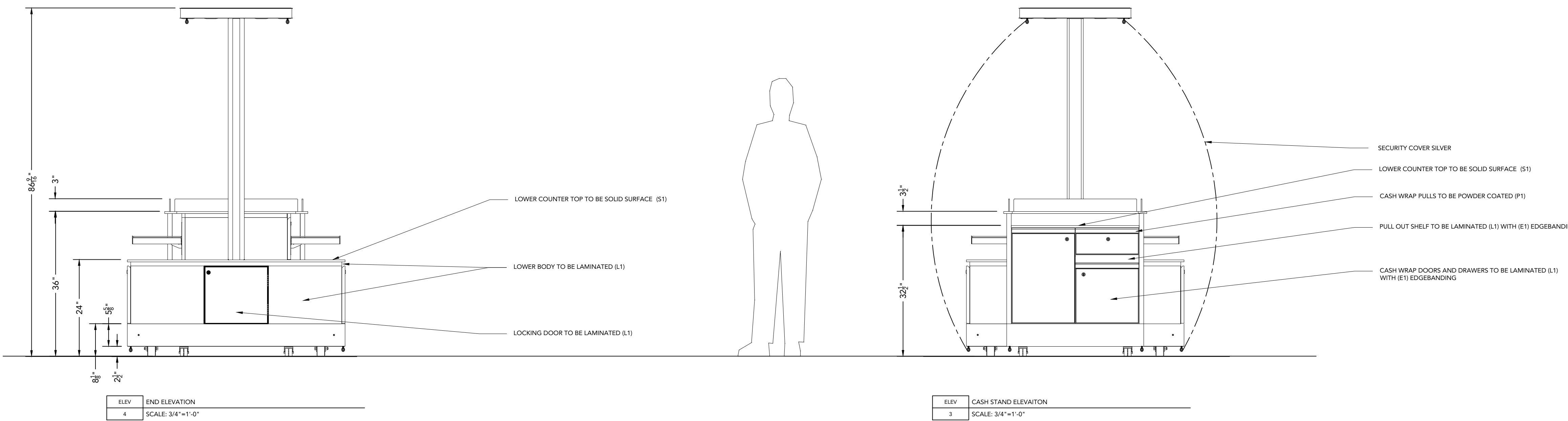
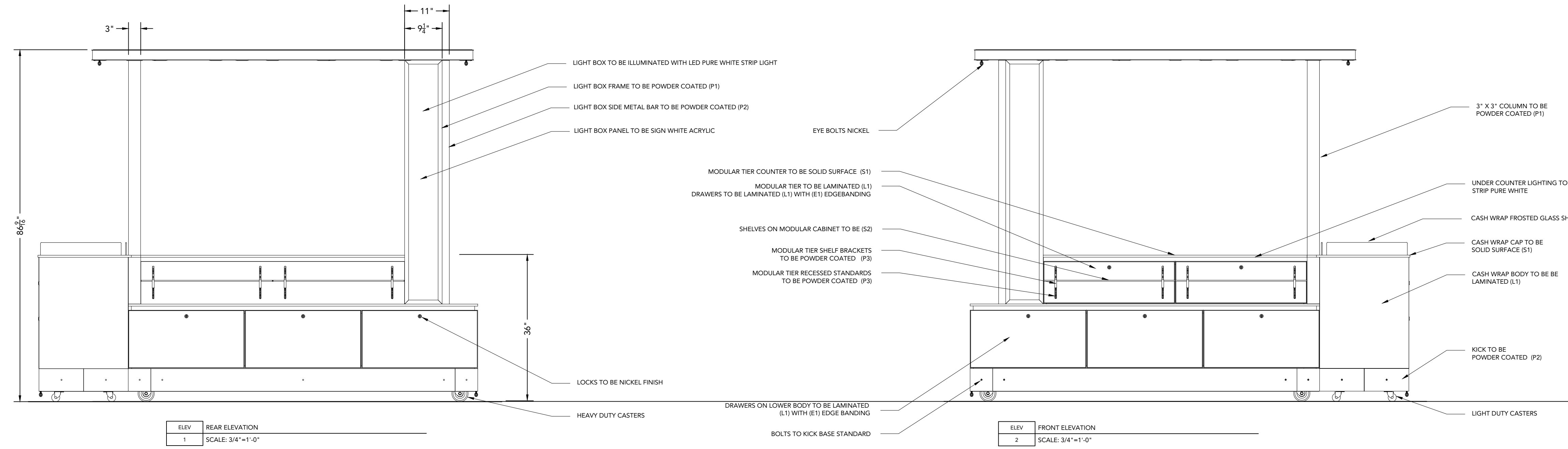
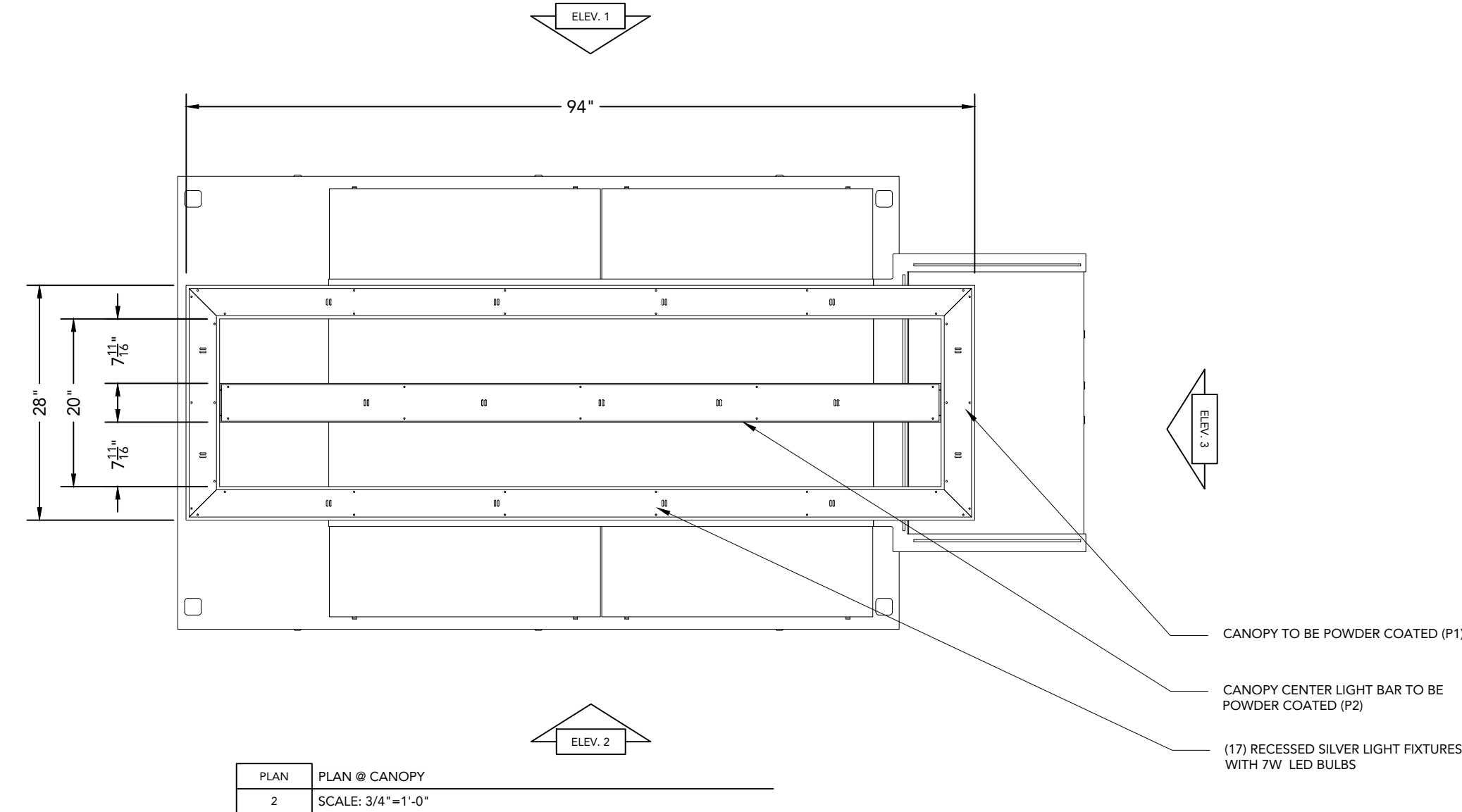
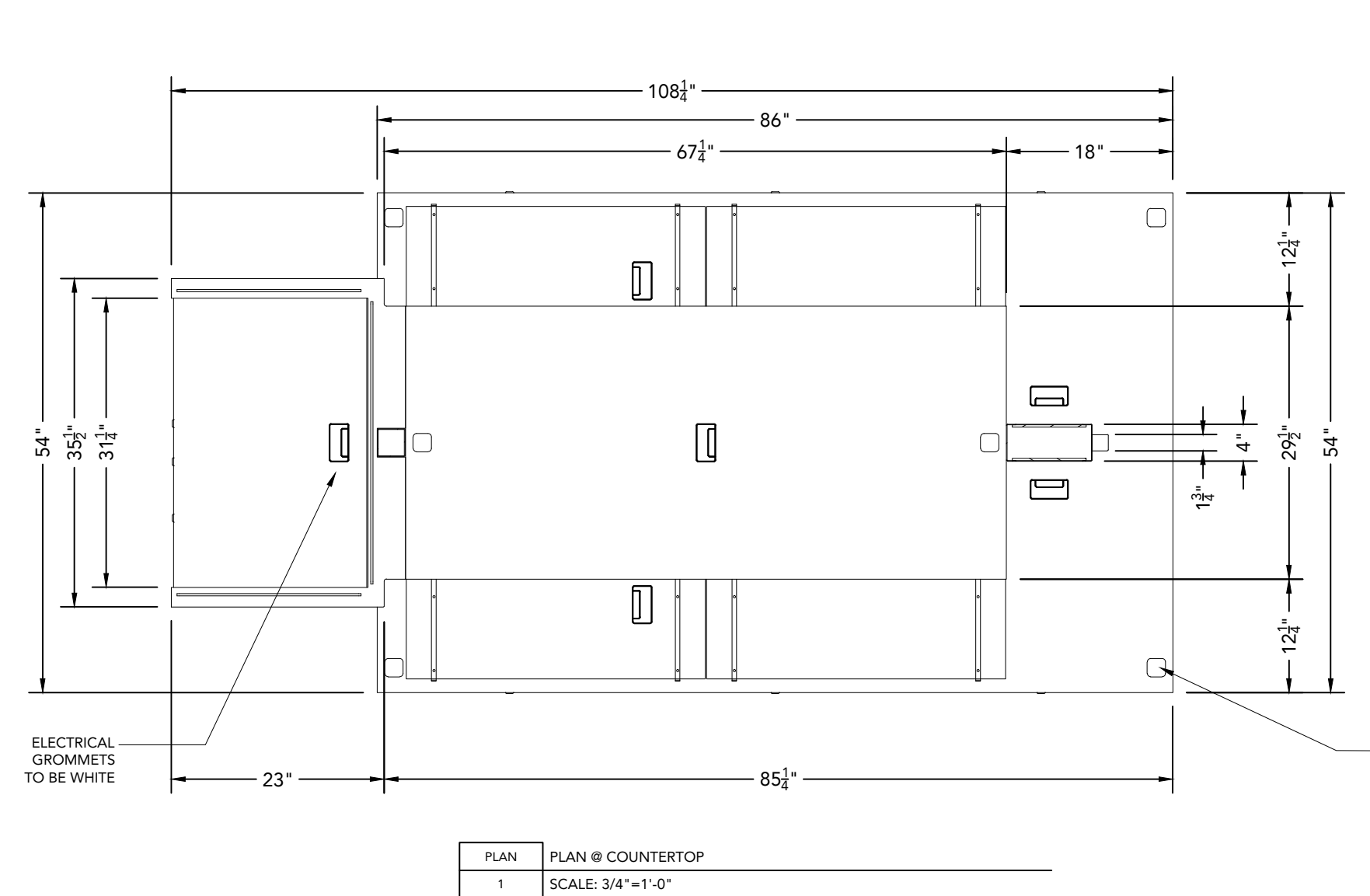
REVISIONS

ZONE	REV	DESCRIPTION	DATE	EDIT BY

LABEL	PRODUCT	DESCRIPTION
P1	POWDER COAT	TIGER TWINKLE 049/91558
P2	POWDER COAT	IRON GLIMMER 049/70210
P3	POWDER COAT	CHOCOLATE BROWN RAL 8017
L1	LAMINATE	ARBORITE W-424FP MOCHA ROSEWOOD
E1	EDGE BANDING	REHAU MOCHATNI CP40828 3MM
S1	SOLID SURFACE	CORIAN COTTAGE LANE
S2	GLASS	1/4" GLASS
H1	HARDWARE	NICKEL

FINISH SCHEDULE

SUB-ASSEMBLY	DESIGNATION	DESCRIPTION	BRAND	MATERIAL	
				COLOR	NUMBER
BASE UNIT	KICK BASE	P1			
	BOLTS	STANDARD			
	BODY - MODULAR TIER	L1			
	BODY - LOWER & RECESS	L1			
	BODY - LOWER DRAWERS	L1			
	BODY - CASH WRAP	L1			
	BODY - CASH WRAP UPPER BAND	L1			
	BODY - CASH WRAP PULL-OUT SHELF	L1			
	COUNTER - MODULAR TIER	S1			
	COUNTER - LOWER	S1			
	COUNTER - CASH WRAP	S1			
	CASH WRAP CAP	S1			
	CASH WRAP GLASS	FROSTED GLASS			
	EDGE BANDING - MODULAR TIER	E1			
EDGE BANDING - CASH WRAP	E1				
EDGE BANDING - CASH WRAP PULL-OUT SHELF	E1				
EDGE BANDING - LOWER DRAWERS	E1				
COLUMN	PULLS - CASH WRAP	P1			
	RECESSED STANDARDS - MODULAR TIER	P3			
	GLASS SHELVES	S2			
	SHELVE BRACKETS	P3			
	LOCKS	NICKEL FINISH			
	GROMMETS ELECTRICAL PLASTIC	WHITE			
	GROMMETS - MERCHANDISER	S1			
	UNDER COUNTER LIGHTS	4000K PURE WHITE LED RIBBON LIGHT			
	3"X3" COLUMN	P1			
	LIGHT BOX PANEL	SIGN WHITE ACRYLIC			
CANOPY	LIGHTING	4000K PURE WHITE LED RIBBON LIGHT			
	LIGHT BOX FRAME	P1			
	LIGHT BOX SIDE METAL BAR	P2			
	CANOPY	P1			
	CENTER LIGHT BAR	P2			
CANOPY	EYE BOLT	STANDARD			
	RECESSED LIGHTING FIXTURE	SILVER			
	RECESSED LIGHTING BULB	(17) LED 7W PURE WHITE LIGHT BULB			



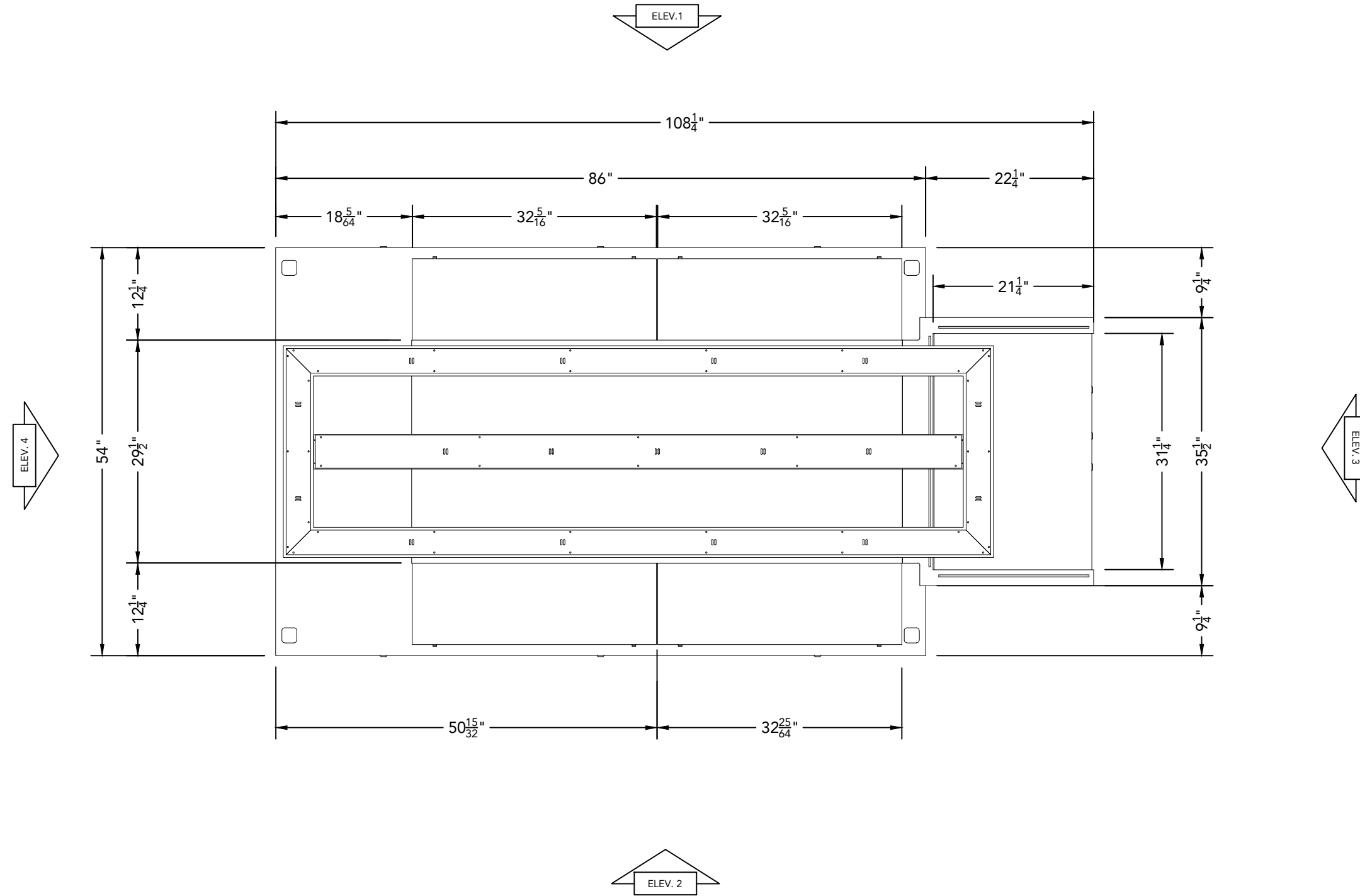
MACERICH
 LAKEWOOD CENTER
 CORPORATE UNIT

This drawing, and the information contained herein, is the property of STAK Design INC. It may not be reproduced or copied in whole or in part. Any unauthorized use on any other project may be subject to penalty by law.

STAK DESIGN

1540 LUNA ROAD
 CARROLLTON, TX 75006
 972.323.0100
 WWW.STAKDESIGN.COM





PLAN	PLAN AT COUNTER
1	SCALE: 3/4" = 1'-0"

JOB NUMBER:
R14.3006
DATE:
5.7.2014
CLIENT:
MACERICH
PROJECT:
LAKEWOOD CENTER
DESIGNER:
Dan Clark
DETAILER:
J.VASQUEZ
PROJECT MANAGER:
L.PATZ
QUANTITY:
20
DRAWING FILE:
MACERICH-LAKEWOOD
CENTER_RMU

MACERICH
LAKEWOOD CENTER
CORPORATE UNIT

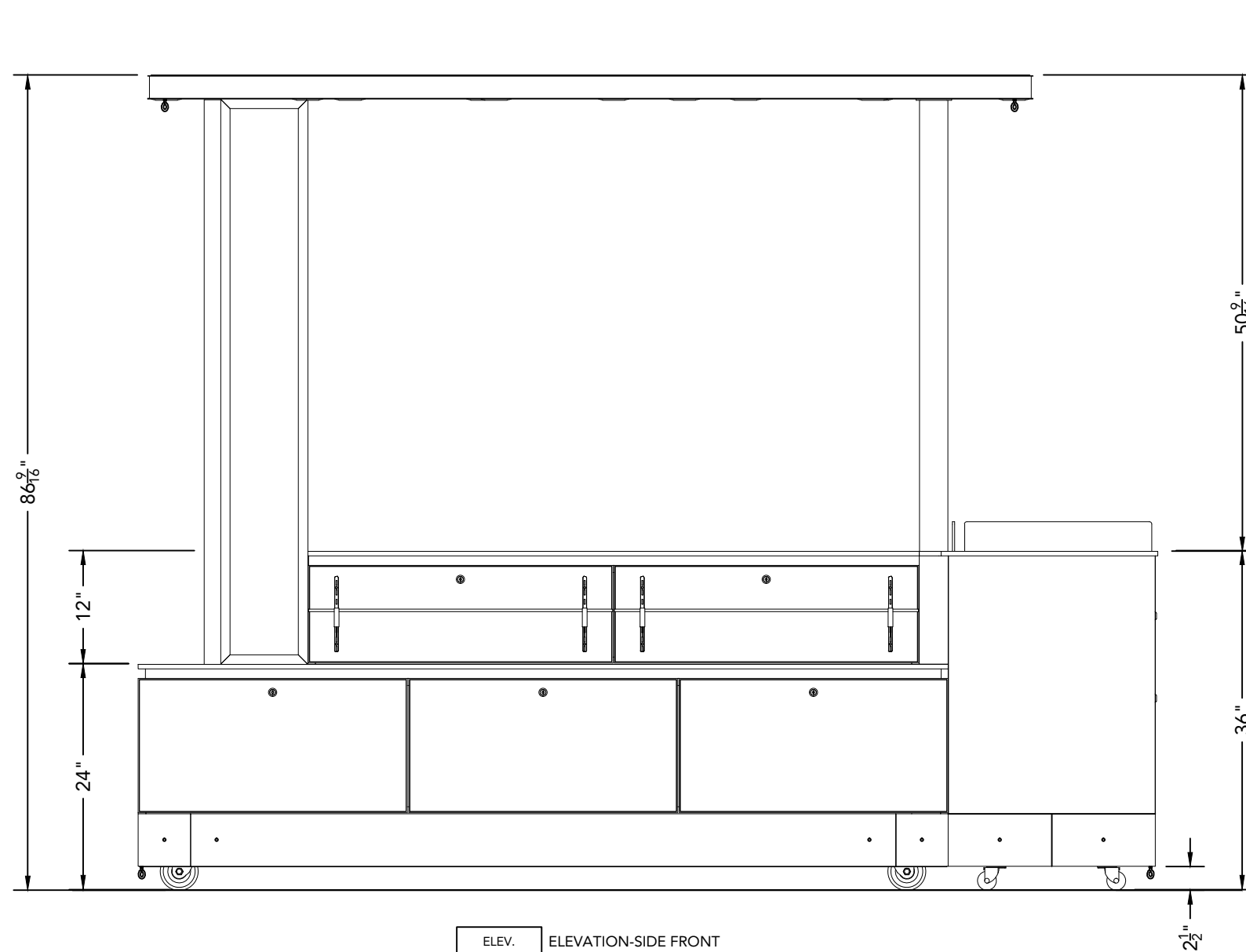
This drawing, and the information contained herein, is the property of STAK Design INC. It may not be reproduced or copied in whole or in part. Any unauthorized use on any other project may be subject to penalty by law.



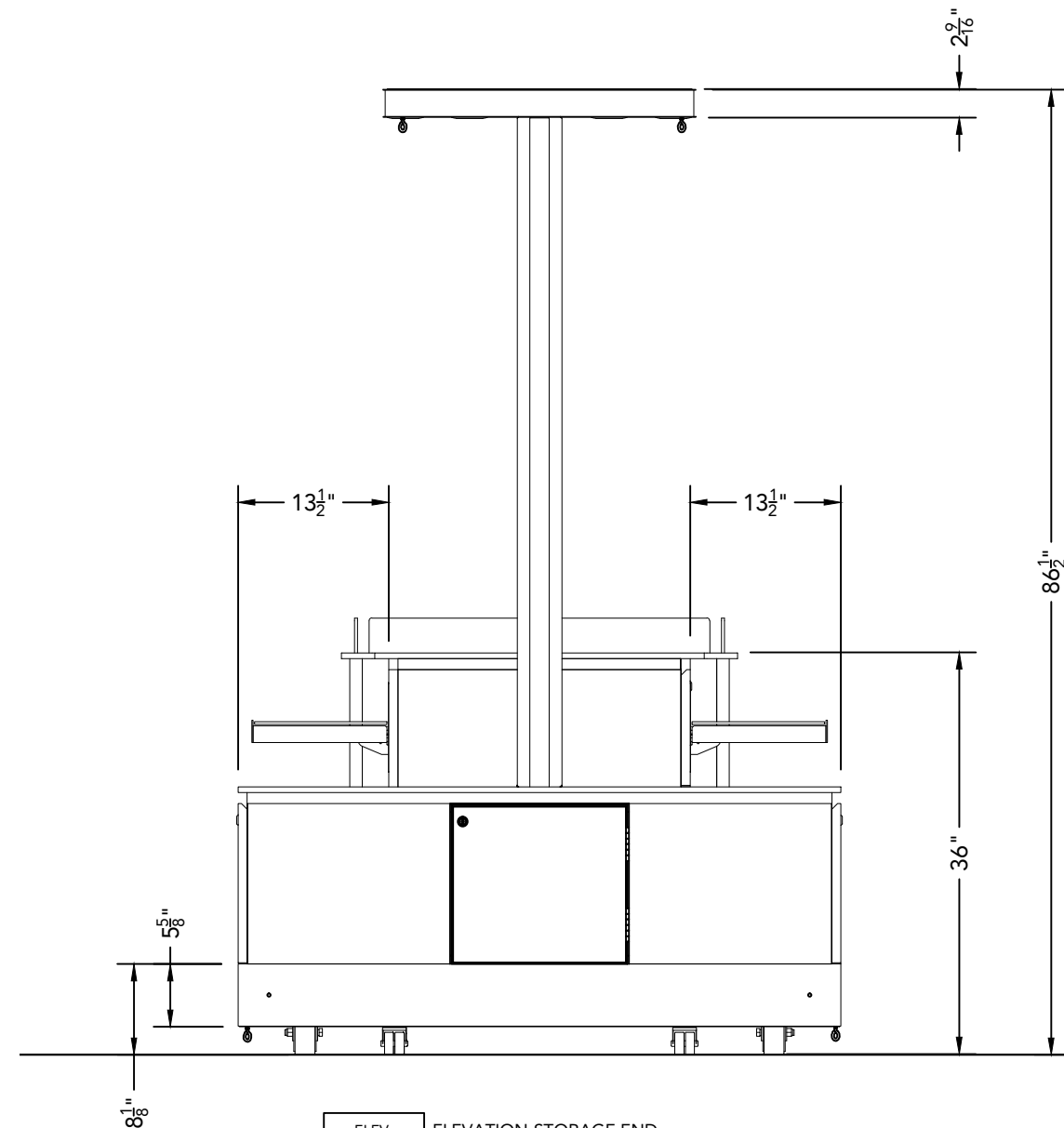
1540 LUNA ROAD
CARROLLTON, TX 75006
972.323.0100
WWW.STAKDESIGN.COM



merchandising diagram



ELEV.	ELEVATION-SIDE FRONT
2	SCALE: 3/4"=1'-0"



ELEV.	ELEVATION-STORAGE END
4	SCALE: 3/4"=1'-0"

JOB NUMBER: R114.3006
 DATE: 5.7.2014
 CLIENT: MACERICH
 PROJECT: LAKEWOOD CENTER
 DESIGNER: Dan Clark
 DETAILER: J.VASQUEZ
 PROJECT MANAGER: L.PATZ
 QUANTITY: 20
 DRAWING FILE: MACERICH-LAKEWOOD CENTER_RMU

MACERICH
 LAKEWOOD CENTER
 CORPORATE UNIT

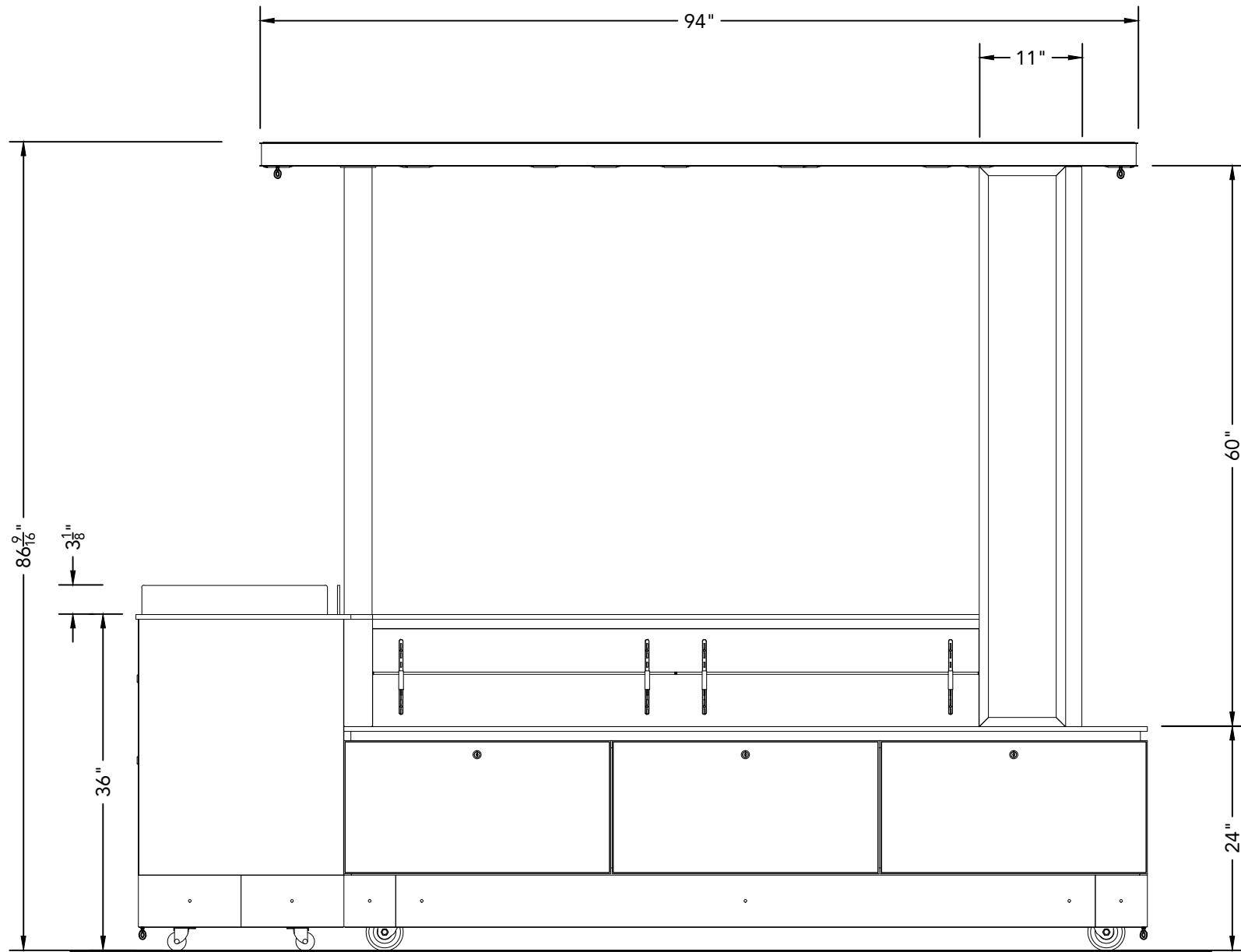
This drawing, and the information contained herein, is the property of STAK Design INC. It may not be reproduced or copied in whole or in part. Any unauthorized use on any other project may be subject to penalty by law.



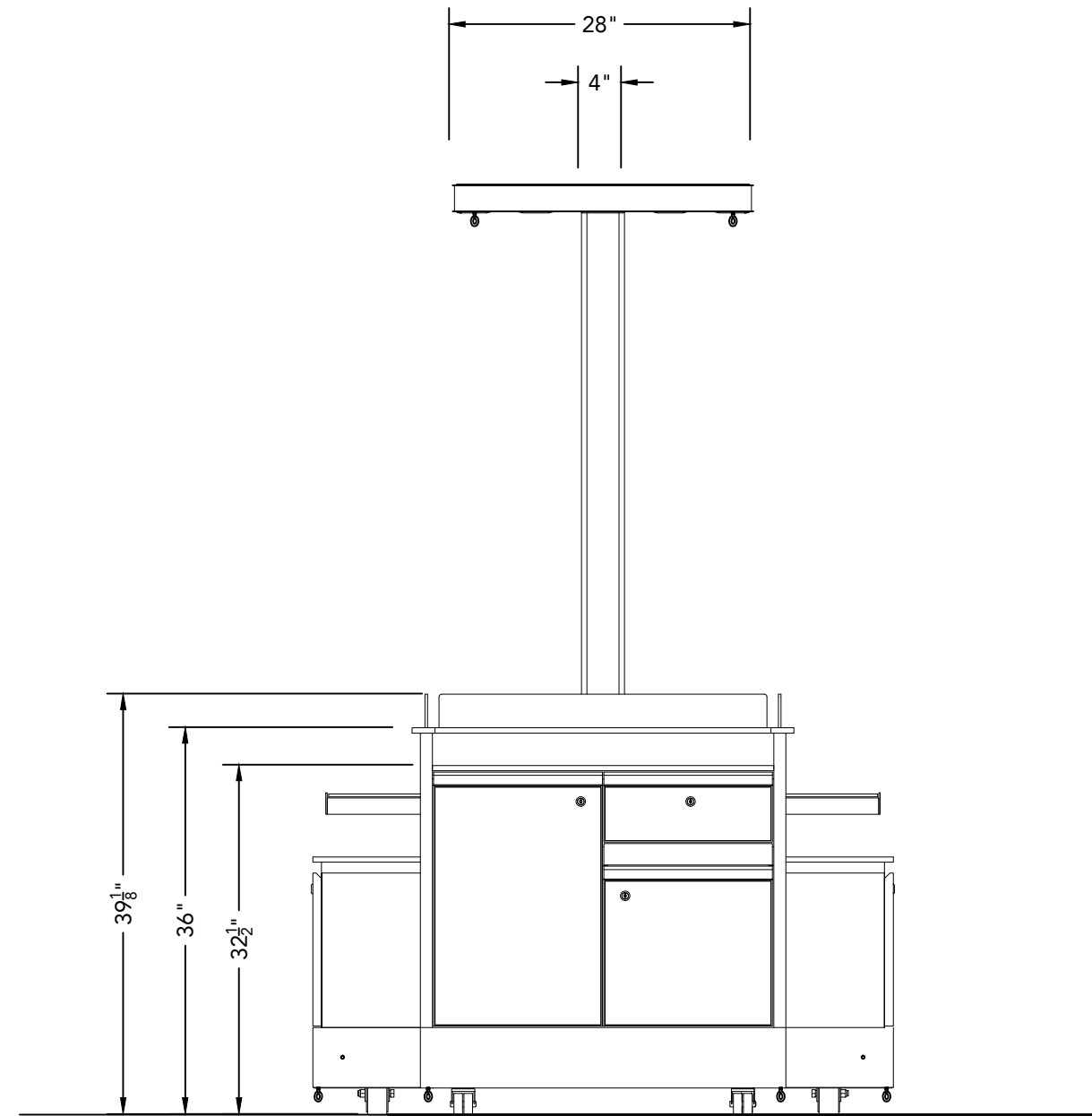
1540 LUNA ROAD
 CARROLLTON, TX 75006
 972.323.0100
 WWW.STAKDESIGN.COM



merchandising diagram



ELEV.	ELEVATION-SIDE BACK
1	SCALE: 3/4" = 1'-0"



ELEV.	ELEVATION-CASH STAND
3	SCALE: 3/4" = 1'-0"

JOB NUMBER:
R114.3006

DATE:
5.7.2014

CLIENT:
MACERICH

PROJECT:
LAKEWOOD CENTER

DESIGNER:
Dan Clark

DETAILER:
J.VASQUEZ

PROJECT MANAGER:
L.PATZ

QUANTITY:
20

DRAWING FILE:
MACERICH-LAKEWOOD CENTER_RMU

MACERICH
LAKEWOOD CENTER
CORPORATE UNIT

This drawing, and the information contained herein, is the property of STAK Design INC. It may not be reproduced or copied in whole or in part. Any unauthorized use on any other project may be subject to penalty by law.

STAK DESIGN

1540 LUNA ROAD
CARROLLTON, TX 75006
972.323.0100
WWW.STAKDESIGN.COM

