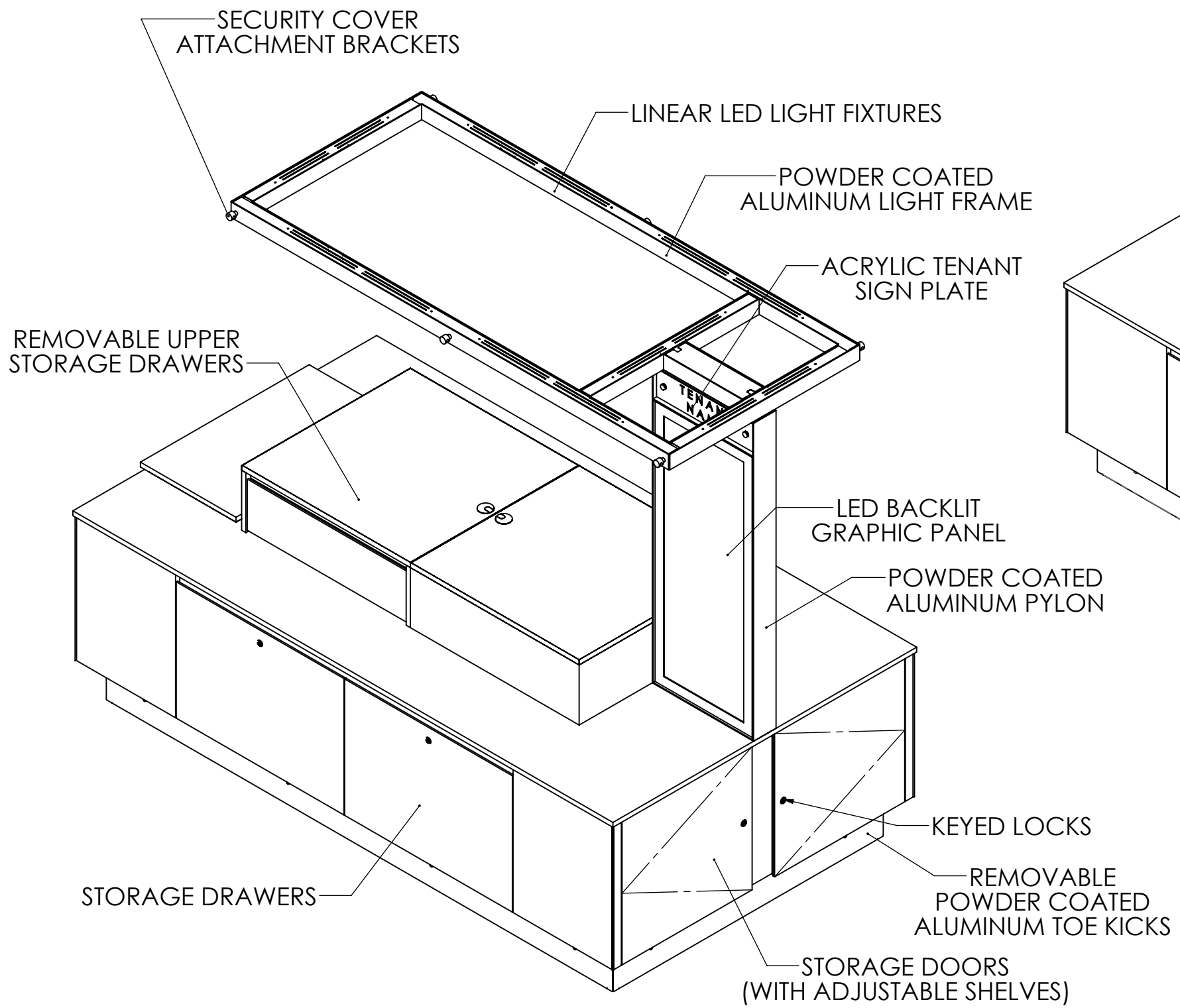


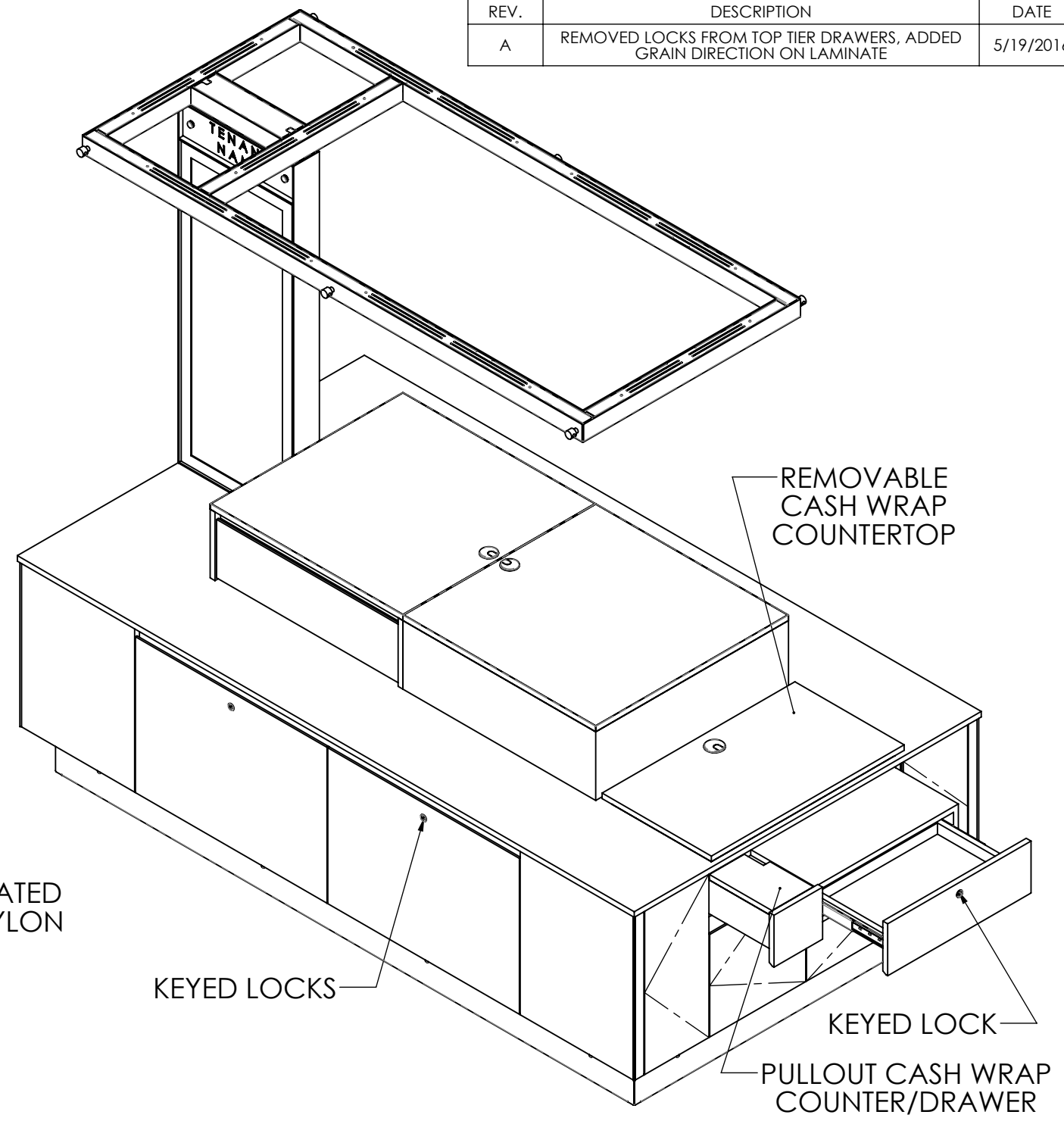
| REVISIONS | | |
|-----------|--|-----------|
| REV. | DESCRIPTION | DATE |
| A | REMOVED LOCKS FROM TOP TIER DRAWERS, ADDED GRAIN DIRECTION ON LAMINATE | 5/19/2016 |

D
C
B
A

D
C
B
A



RETAIL ISOMETRIC VIEW



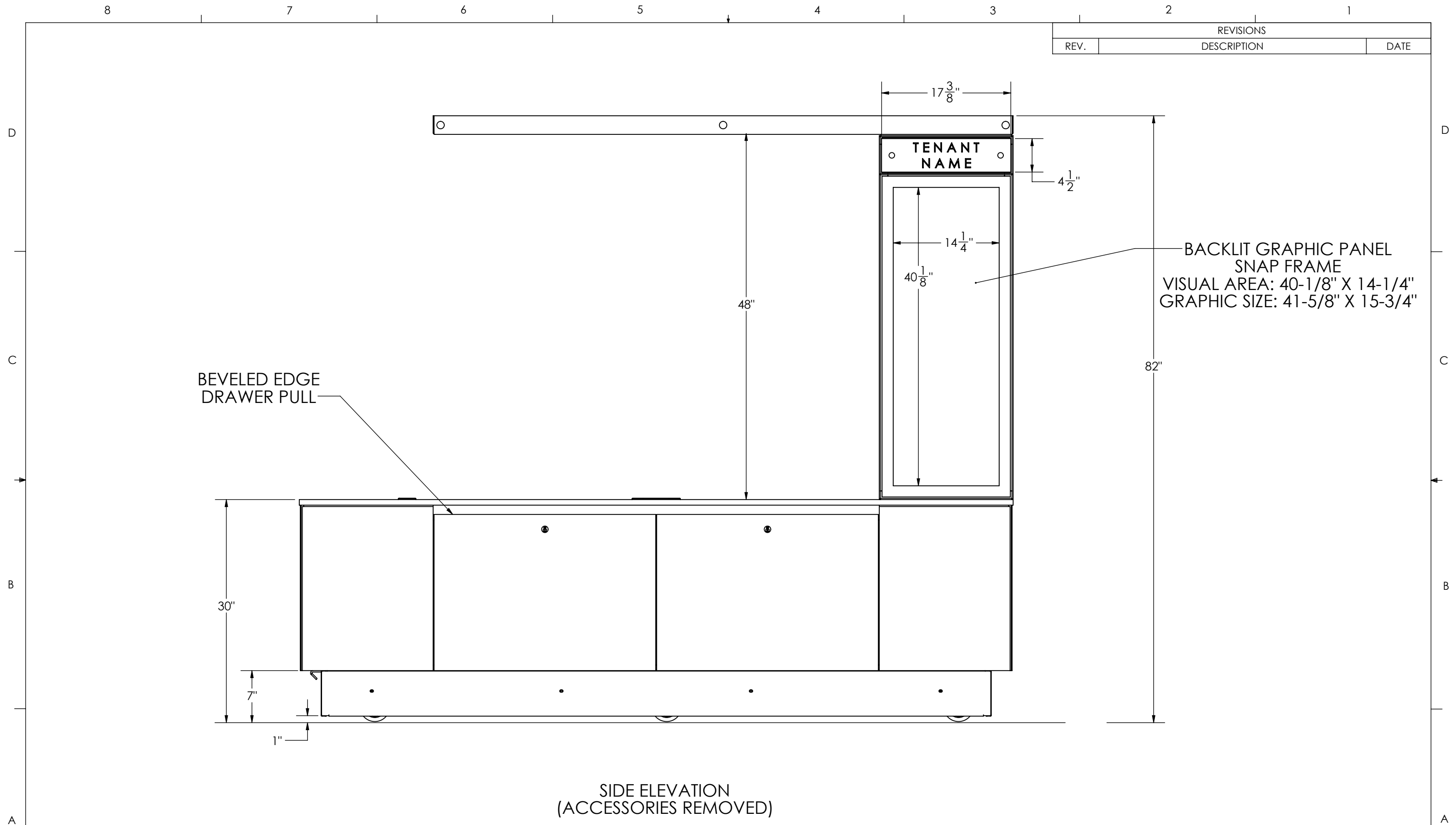
CASH WRAP ISOMETRIC VIEW

| | | | |
|--------------------------|--------------------------------------|-----------------|--------------|
| PROJECT NAME | MACERICH 2016 RMU | | |
| DESCRIPTION | Macerich RMU - 2016 - Lease Drawings | | |
| DIMENSIONS ARE IN INCHES | SAND MOUNTAIN, INC. | | |
| DRAWN BY: J TURNER | SCALE:1:16 | DATE: 5/20/2016 | SHEET 1 OF 7 |

8 7 6 5 4 3 2 1

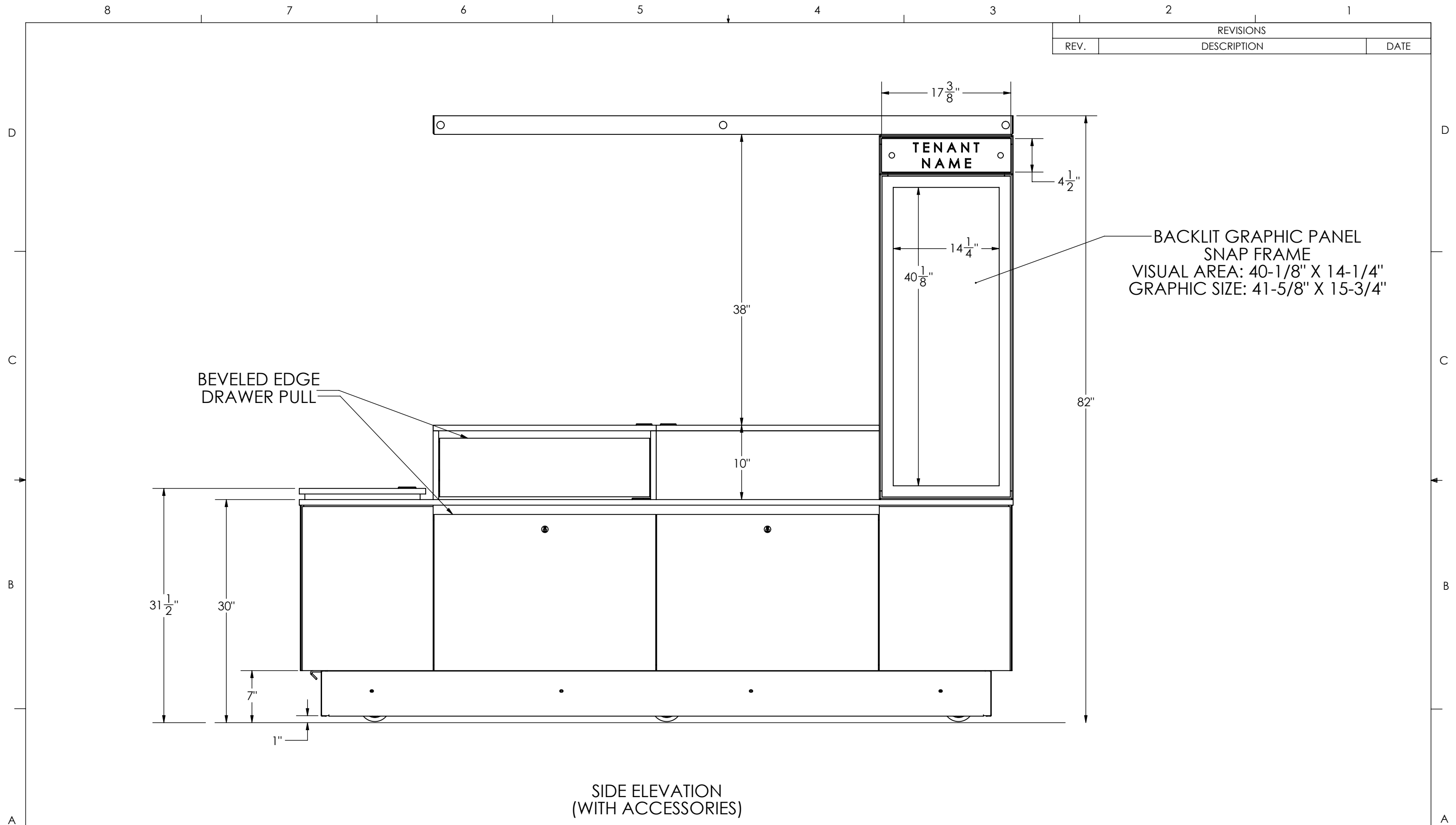
8 7 6 5 4 3 2 1

| REVISIONS | | |
|-----------|-------------|------|
| REV. | DESCRIPTION | DATE |
| | | |



| | | | |
|--------------------------|--------------------------------------|-----------------|--------------|
| PROJECT NAME | MACERICH 2016 RMU | | |
| DESCRIPTION | Macerich RMU - 2016 - Lease Drawings | | |
| DIMENSIONS ARE IN INCHES | SAND MOUNTAIN, INC. | | |
| DRAWN BY: J TURNER | SCALE:1:12 | DATE: 5/20/2016 | SHEET 2 OF 7 |

| REVISIONS | | |
|-----------|-------------|------|
| REV. | DESCRIPTION | DATE |
| | | |

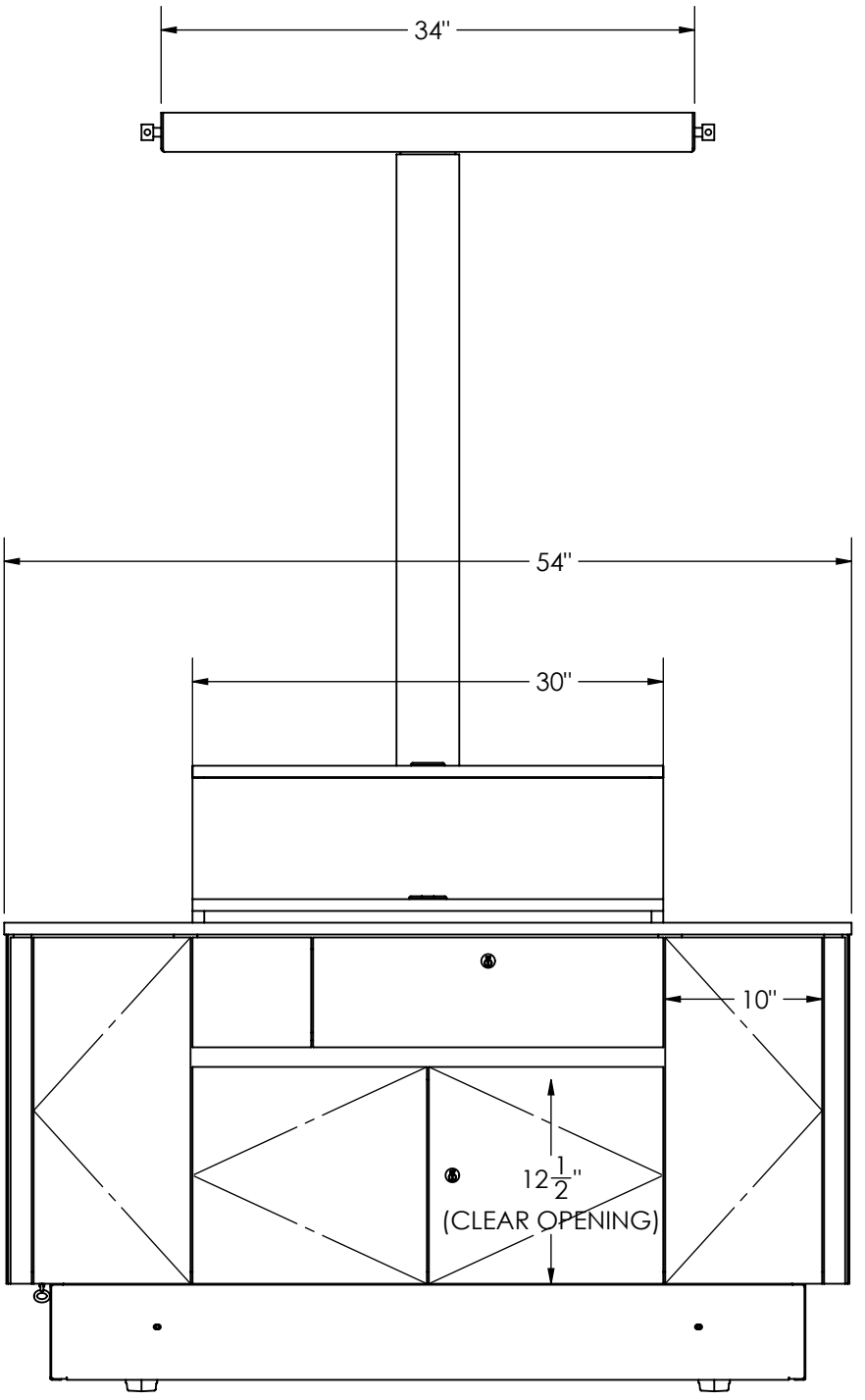


BACKLIT GRAPHIC PANEL
SNAP FRAME
VISUAL AREA: 40-1/8" X 14-1/4"
GRAPHIC SIZE: 41-5/8" X 15-3/4"

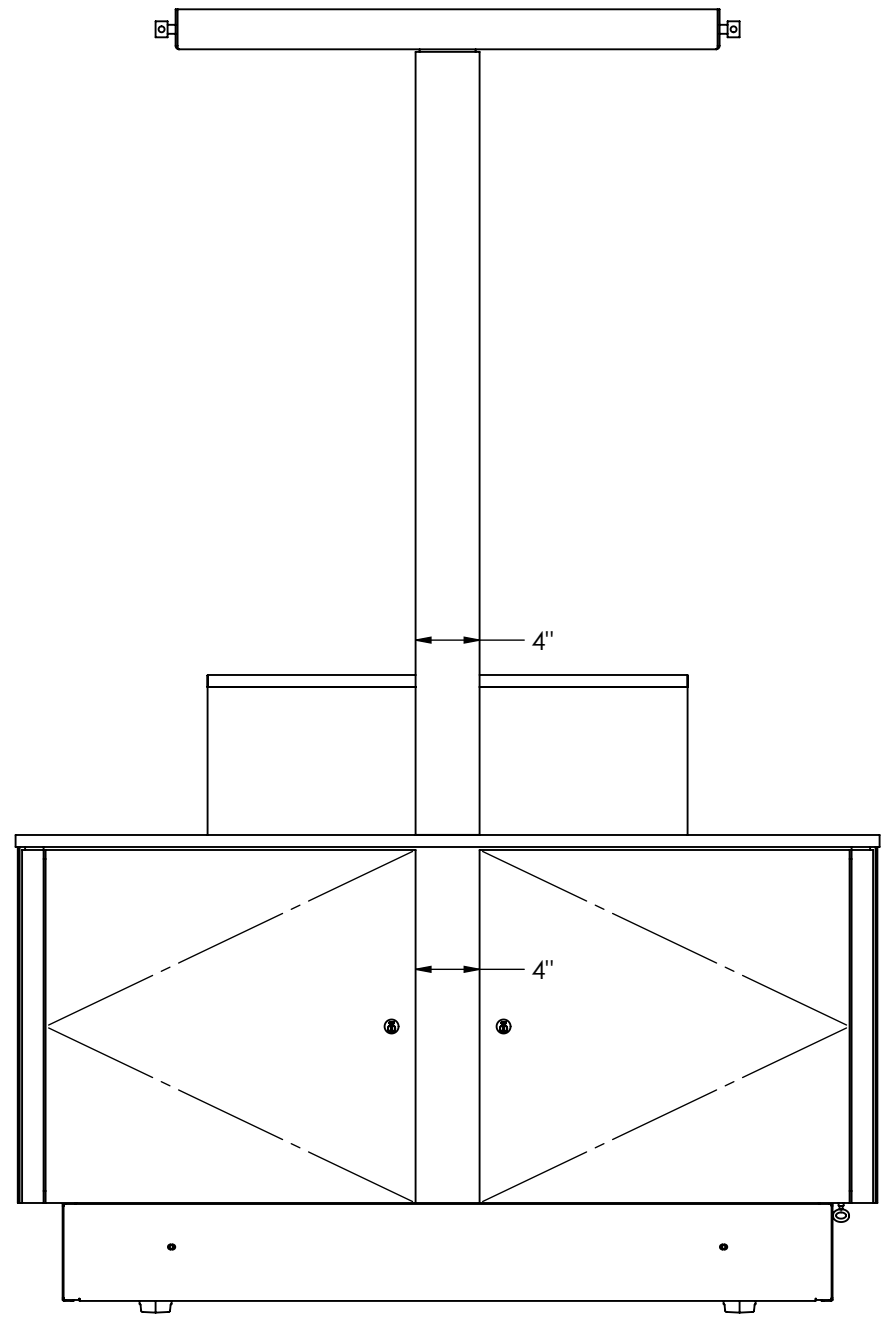
SIDE ELEVATION
(WITH ACCESSORIES)

| | | | |
|-----------------------------|--------------------------------------|-----------------|--------------|
| PROJECT NAME | MACERICH 2016 RMU | | |
| DESCRIPTION | Macerich RMU - 2016 - Lease Drawings | | |
| DIMENSIONS ARE IN INCHES | SAND MOUNTAIN, INC. | | |
| DRAWN BY: J TURNER | SCALE:1:12 | DATE: 5/20/2016 | SHEET 3 OF 7 |

| REVISIONS | | |
|-----------|-------------|------|
| REV. | DESCRIPTION | DATE |
| | | |



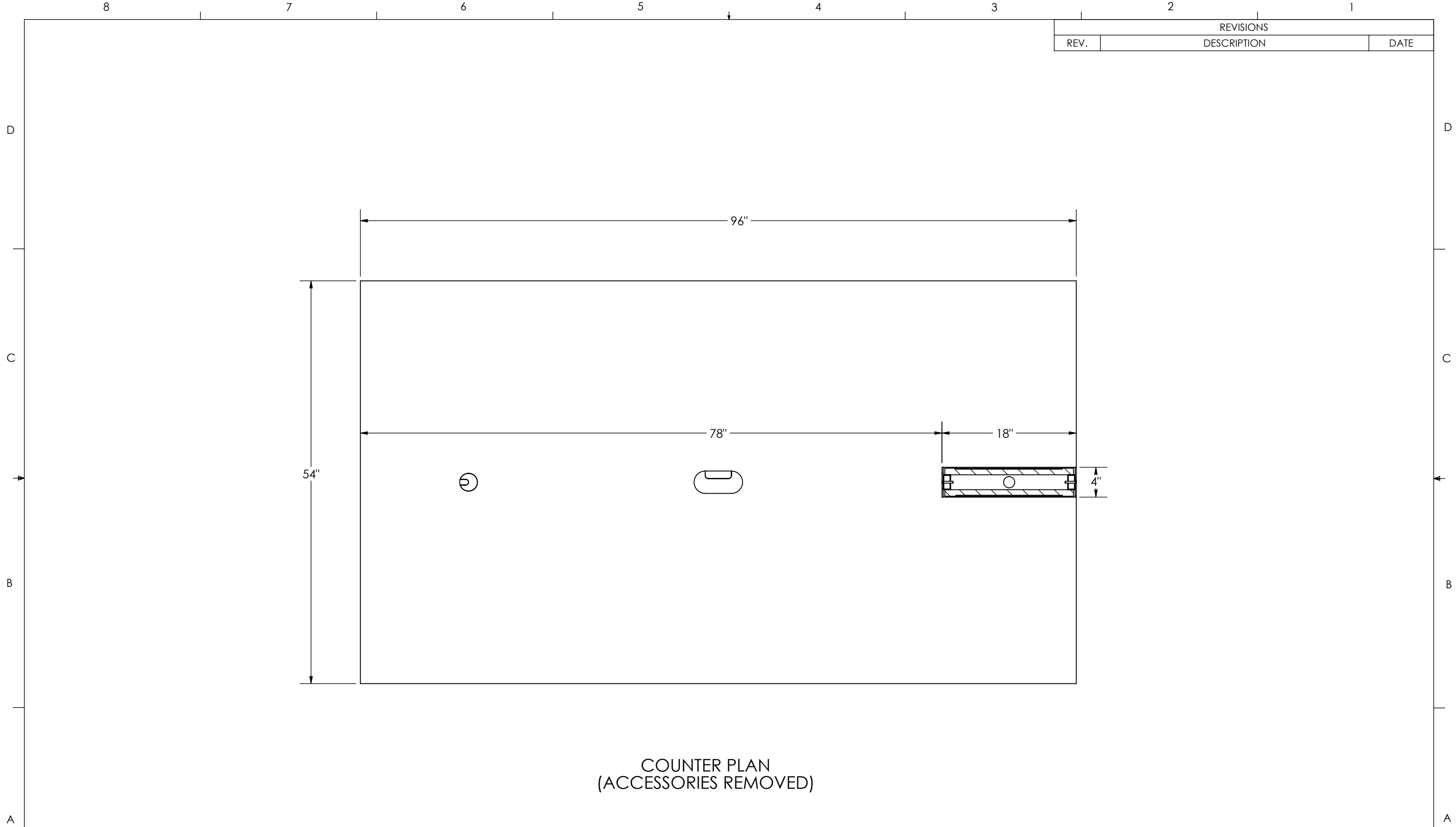
END ELEVATION
CASH WRAP END



END ELEVATION
RETAIL END

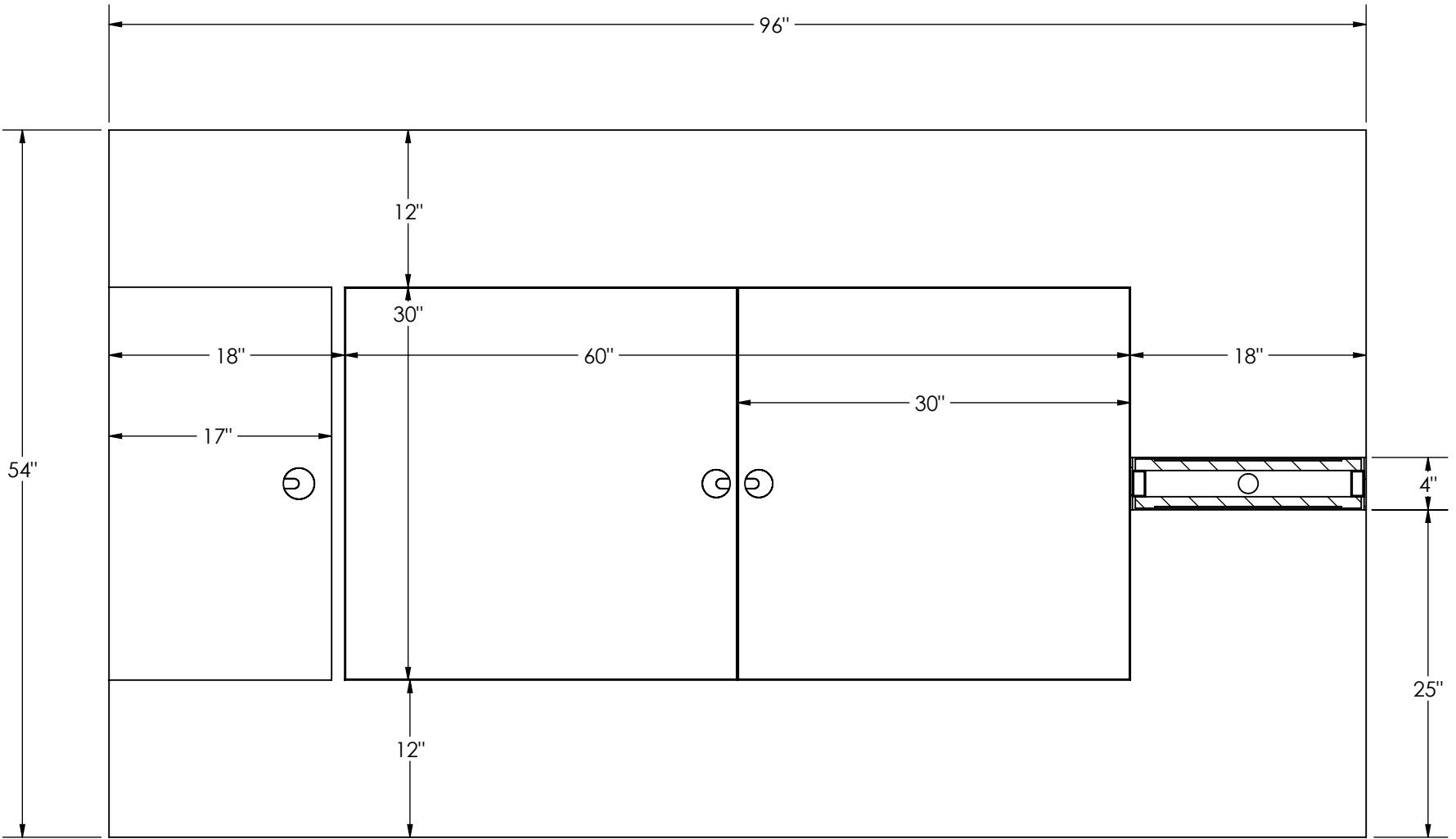
| | | | |
|--------------------------|--------------------------------------|-----------------|--------------|
| PROJECT NAME | MACERICH 2016 RMU | | |
| DESCRIPTION | Macerich RMU - 2016 - Lease Drawings | | |
| DIMENSIONS ARE IN INCHES | SAND MOUNTAIN, INC. | | |
| DRAWN BY: J TURNER | SCALE:1:12 | DATE: 5/20/2016 | SHEET 4 OF 7 |

| REVISIONS | | |
|-----------|-------------|------|
| REV. | DESCRIPTION | DATE |
| | | |



| | | | |
|-----------------------------|--------------------------------------|-----------------|--------------|
| PROJECT NAME | MACERICH 2016 RMU | | |
| DESCRIPTION | Macerich RMU - 2016 - Lease Drawings | | |
| DIMENSIONS ARE IN INCHES | SAND MOUNTAIN, INC. | | |
| DRAWN BY: J TURNER | SCALE:1:12 | DATE: 5/20/2016 | SHEET 5 OF 7 |

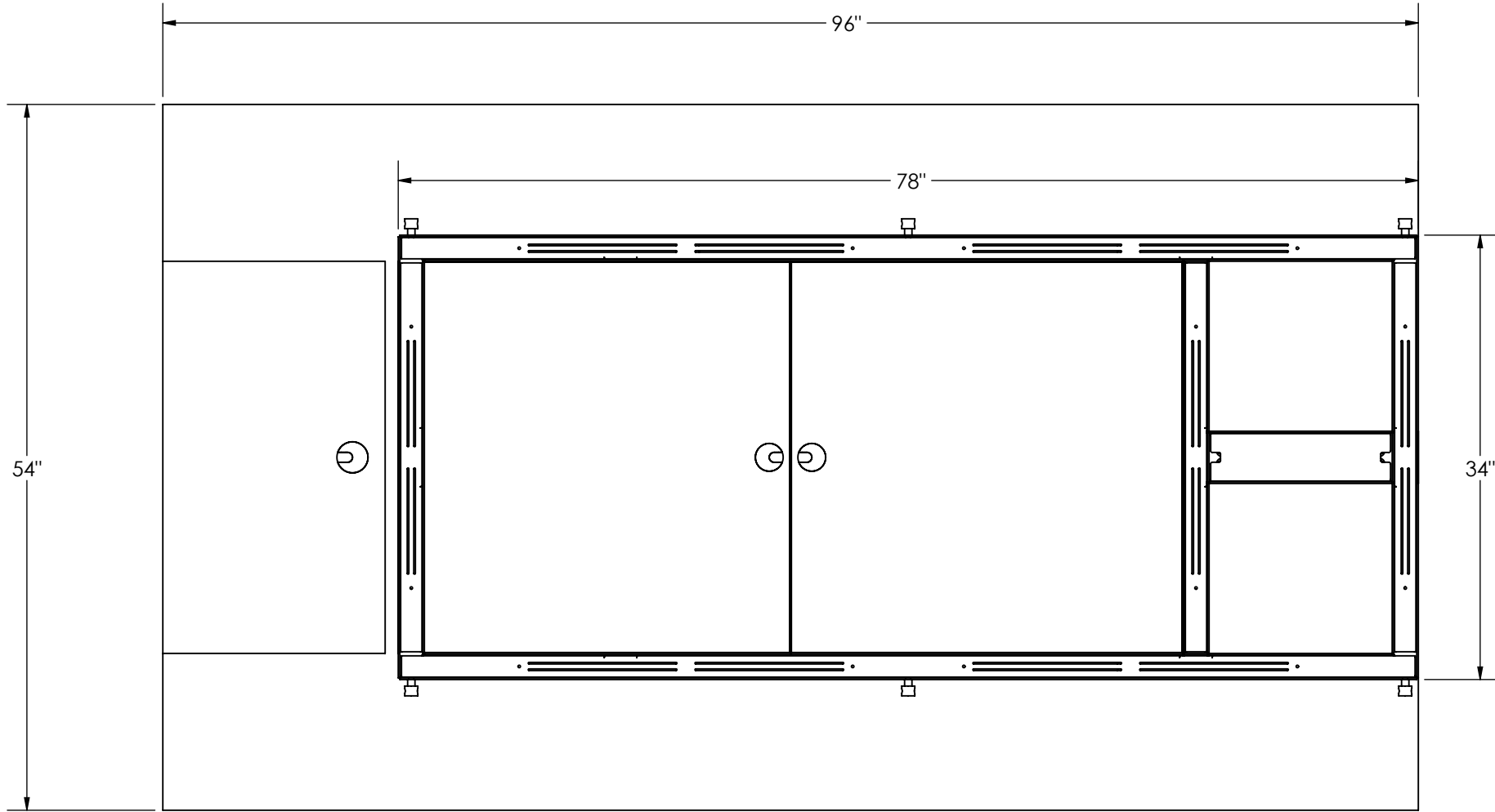
| REVISIONS | | |
|-----------|-------------|------|
| REV. | DESCRIPTION | DATE |
| | | |



COUNTER PLAN
(WITH ACCESSORIES)

| | | | |
|-----------------------------|--------------------------------------|-----------------|--------------|
| PROJECT NAME | MACERICH 2016 RMU | | |
| DESCRIPTION | Macerich RMU - 2016 - Lease Drawings | | |
| DIMENSIONS ARE IN INCHES | SAND MOUNTAIN, INC. | | |
| DRAWN BY: J TURNER | SCALE:1:12 | DATE: 5/20/2016 | SHEET 6 OF 7 |

| REVISIONS | | |
|-----------|-------------|------|
| REV. | DESCRIPTION | DATE |
| | | |



PLAN VIEW

| | | | |
|--------------------------|--------------------------------------|-----------------|--------------|
| PROJECT NAME | MACERICH 2016 RMU | | |
| DESCRIPTION | Macerich RMU - 2016 - Lease Drawings | | |
| DIMENSIONS ARE IN INCHES | SAND MOUNTAIN, INC. | | |
| DRAWN BY: J TURNER | SCALE:1:12 | DATE: 5/20/2016 | SHEET 7 OF 7 |