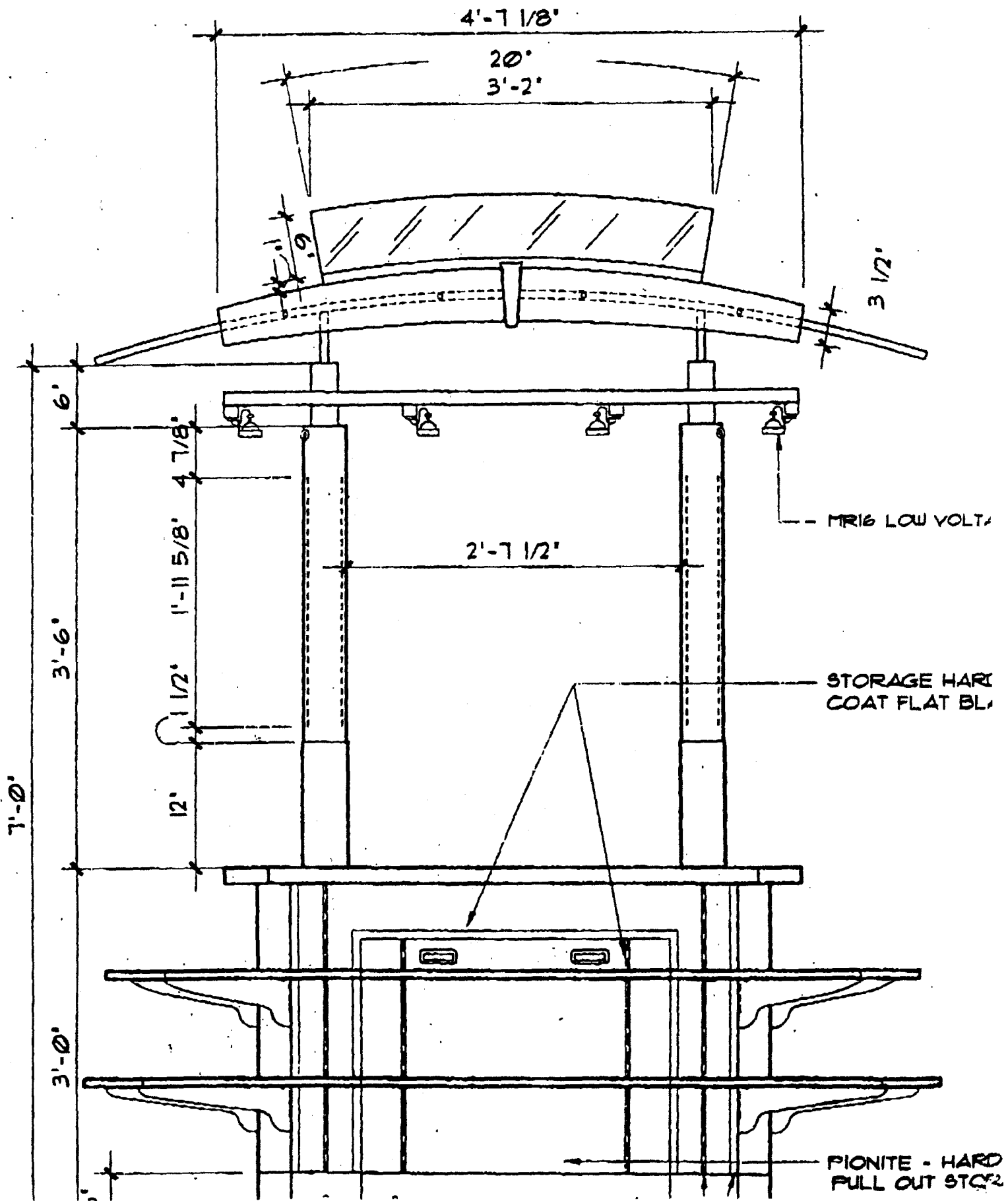


TL Horton

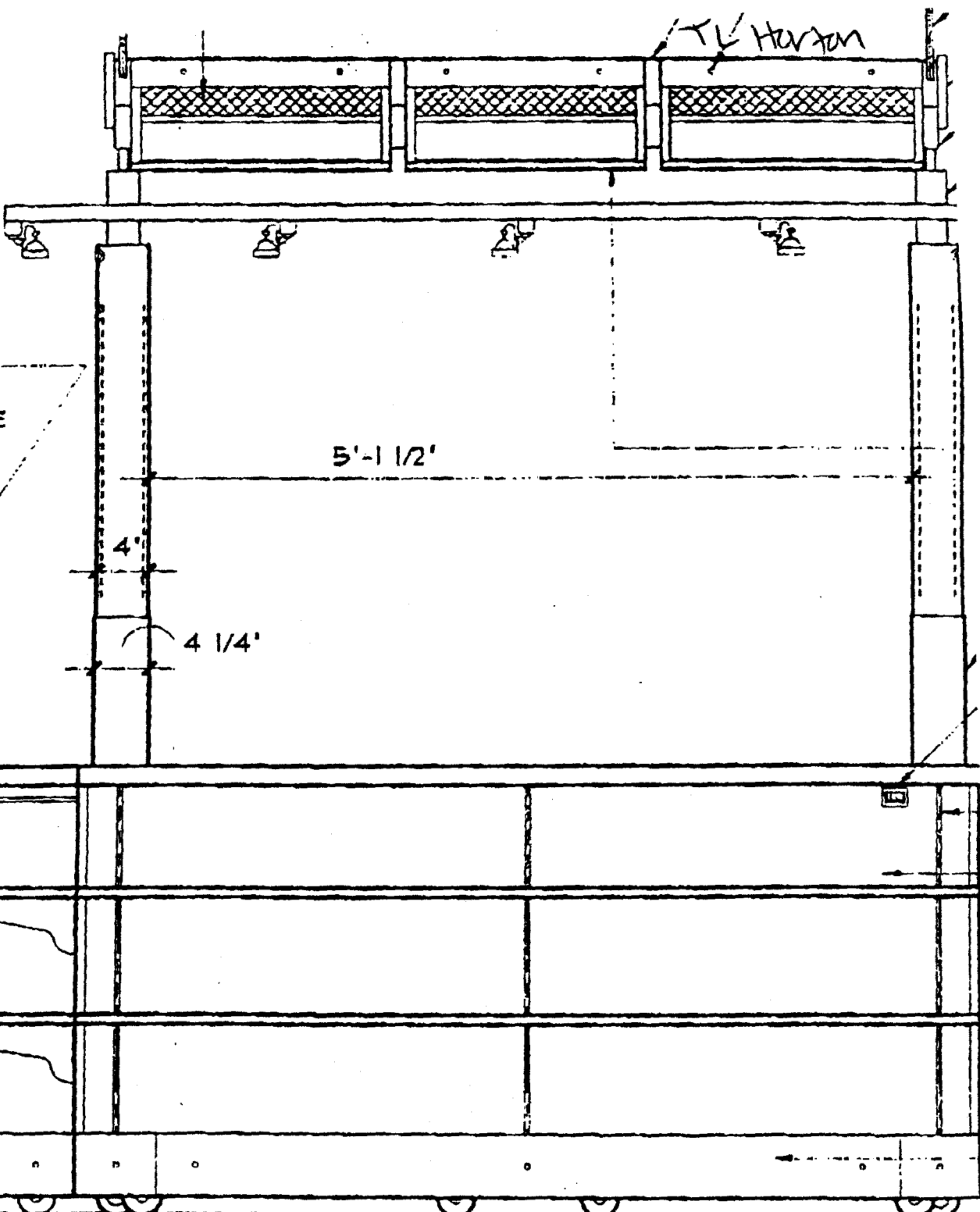


TL Horton

STEEL ANGLE

STEEL TUBING

ASH STAND
ELVES
HARDROCK MAPLE
31-5
C EDGE



5'-1 1/2'

4'

4 1/4'

ELEVATION 1

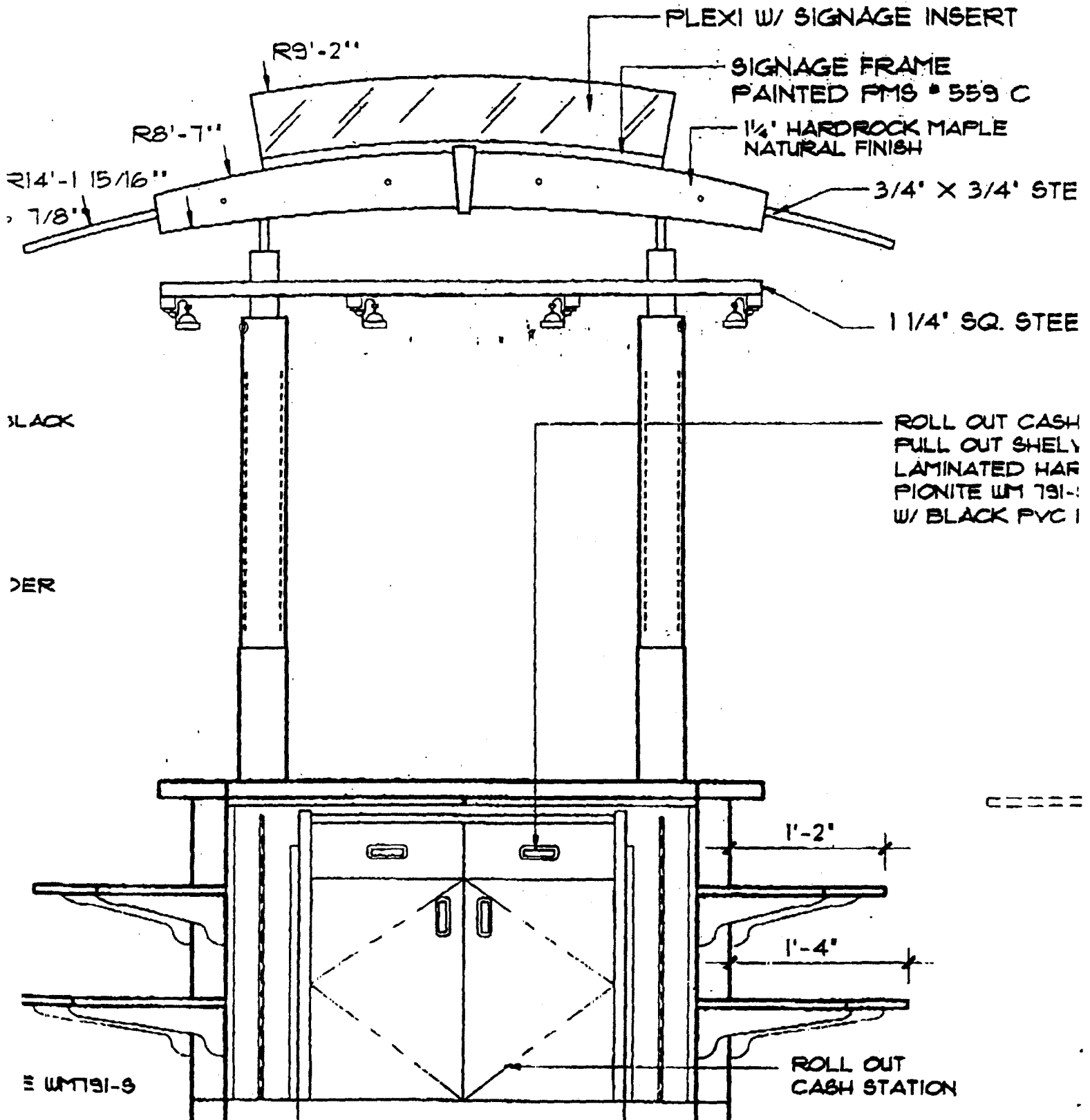
1'-4"

SCALE 1" = 1'-0"

6'-0"



TL Herten

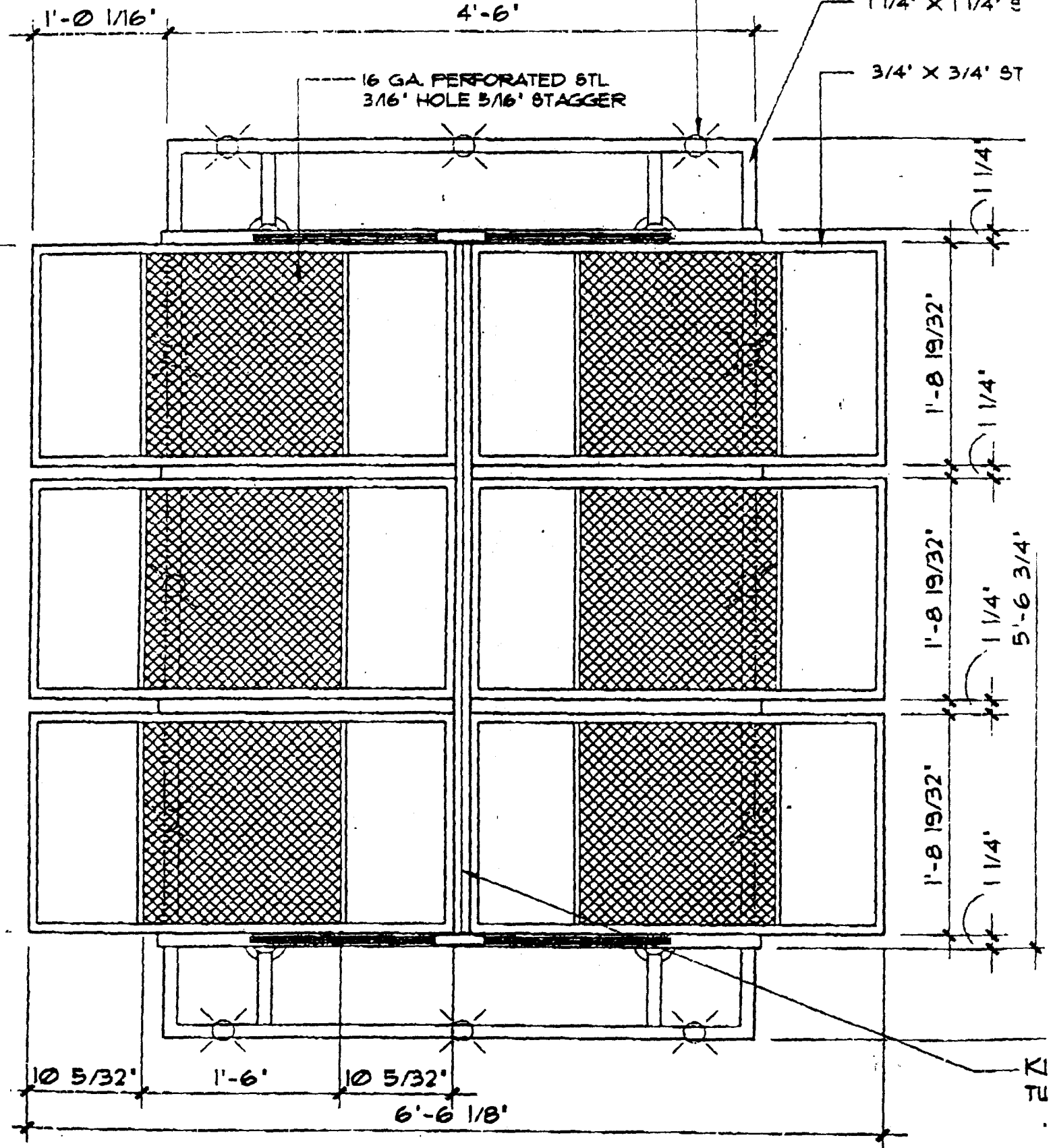


TL Horizon

③ ELEVATION

SCALE 1" = 1'-0"

LOW VOLTAGE LIGHT AND TR



DI AN O CANOBY



11-12 HUYTON

