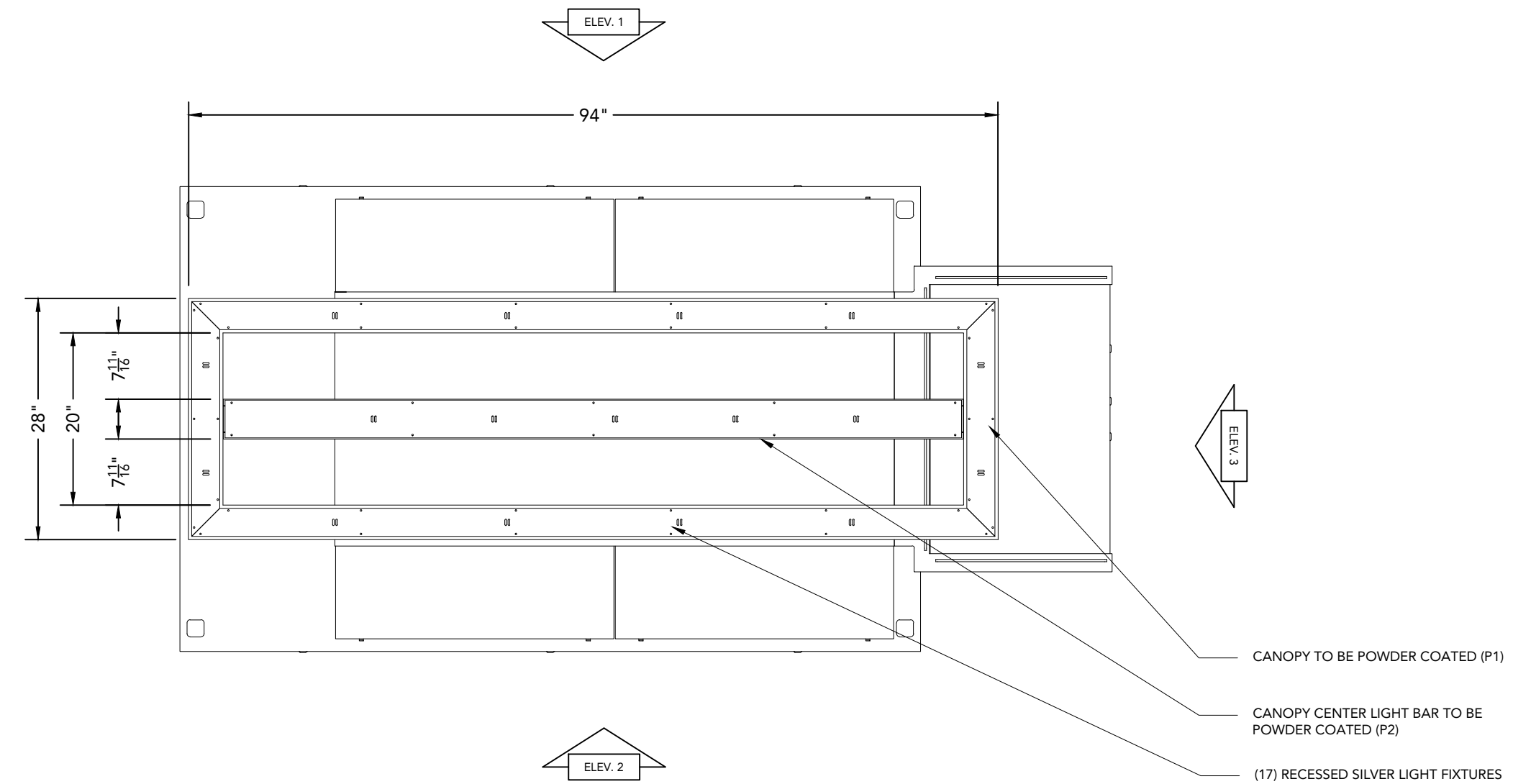
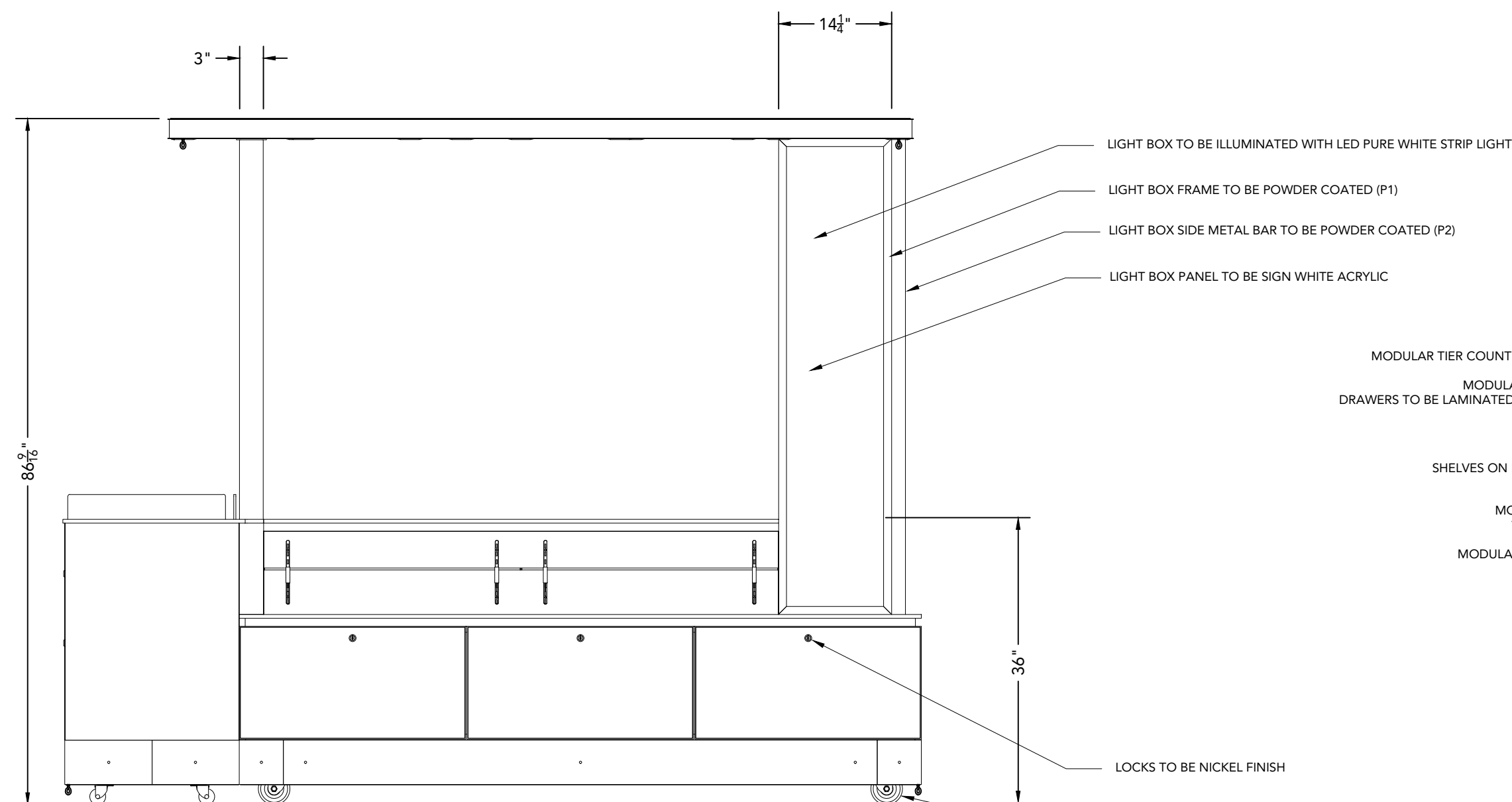


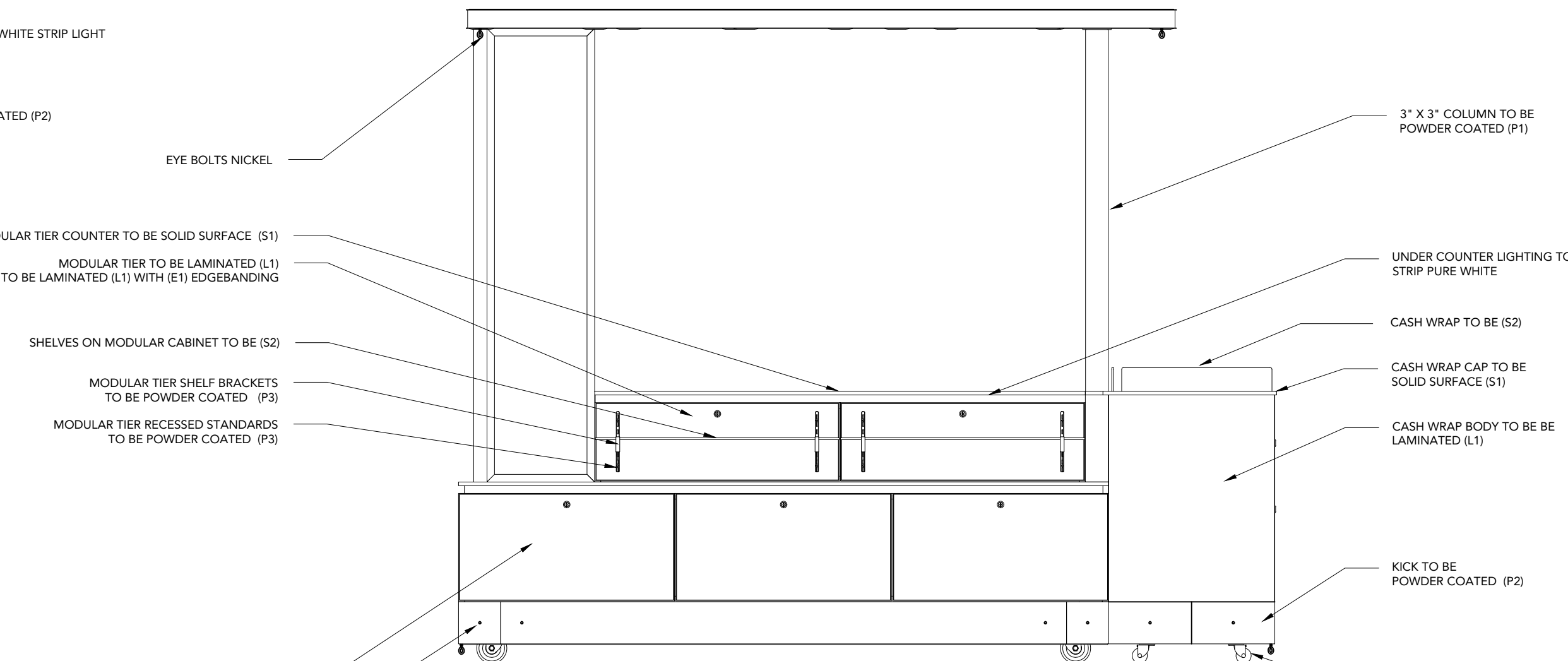
PLAN 1 PLAN @ COUNTERTOP
SCALE: 3/4"=1'-0"



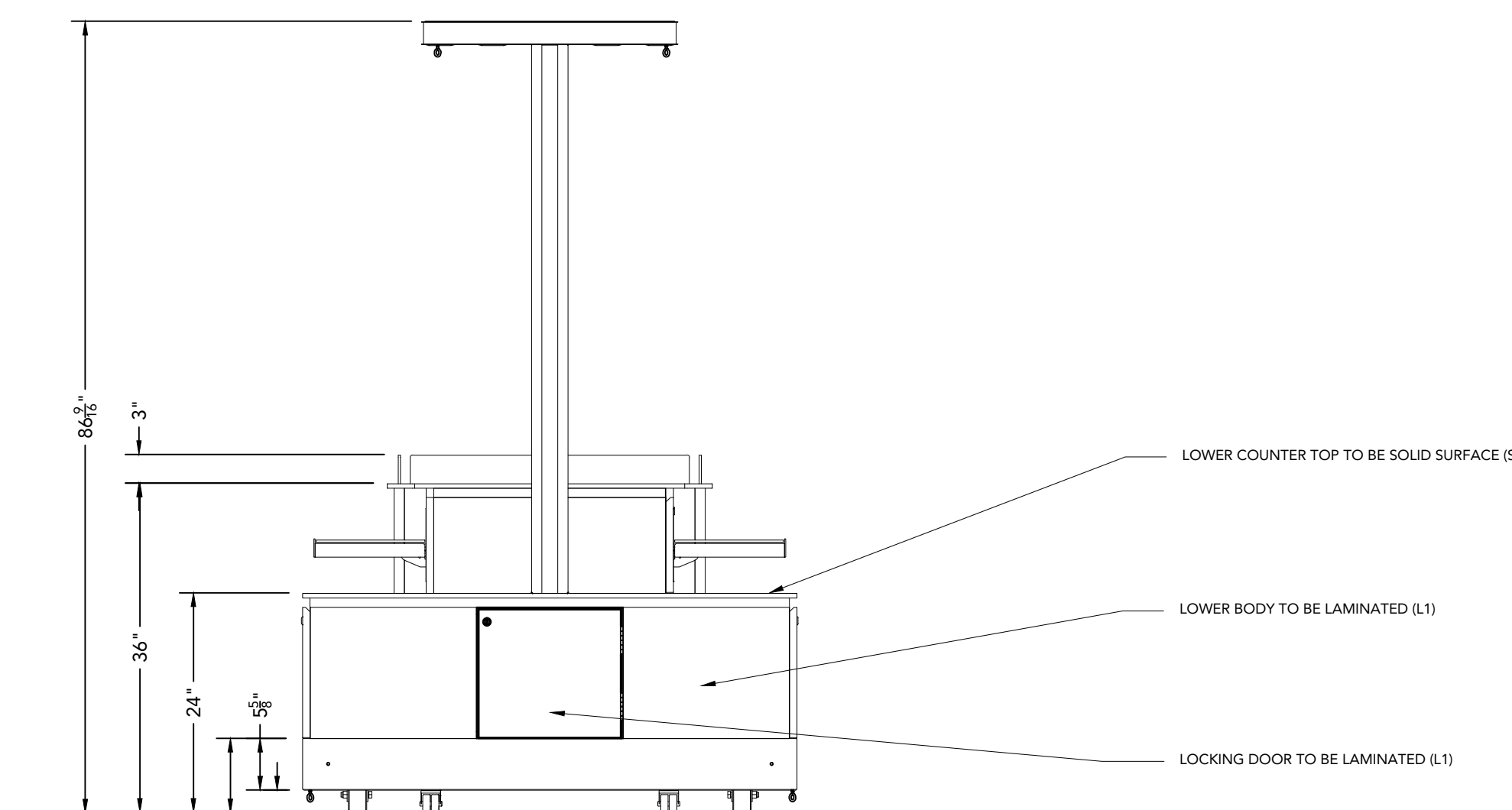
PLAN 2 PLAN @ CANOPY
SCALE: 3/4"=1'-0"



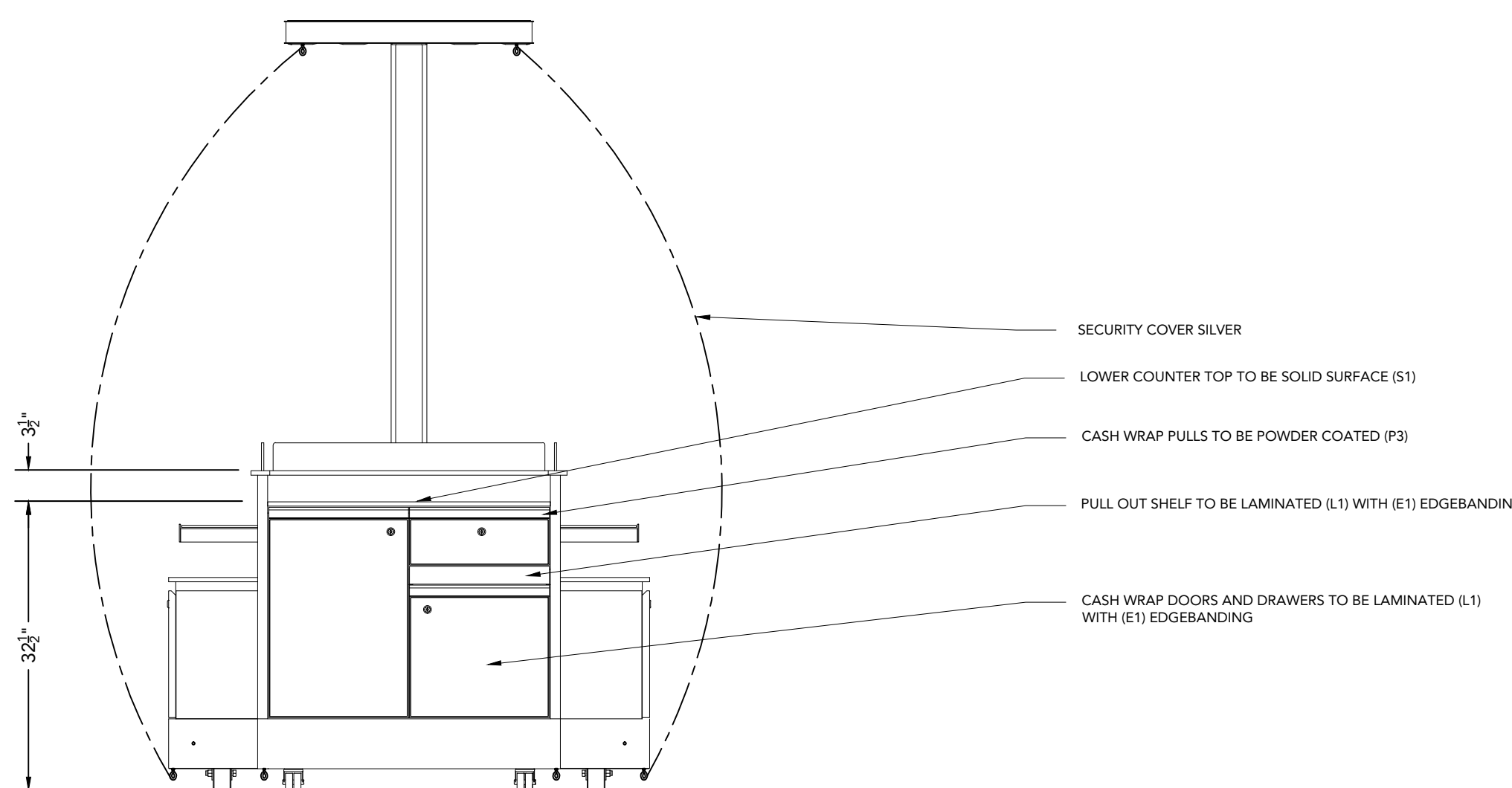
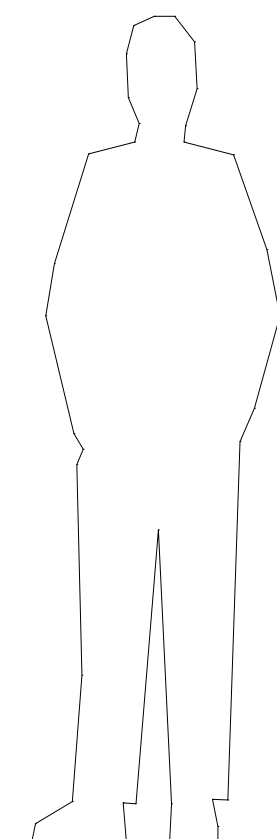
ELEV 1 REAR ELEVATION
SCALE: 3/4"=1'-0"



ELEV 2 FRONT ELEVATION
SCALE: 3/4"=1'-0"



ELEV 4 END ELEVATION
SCALE: 3/4"=1'-0"



ELEV 3 CASH STAND ELEVATION
SCALE: 3/4"=1'-0"

REVISIONS				
ZONE	REV	DESCRIPTION	DATE	EDIT BY
LABEL	PRODUCT	DESCRIPTION		
P1	POWDER COAT	IRON GLIMMER P15 49/80180		
P2	POWDER COAT	IRON GLIMMER P7 49/80190		
P3	POWDER COAT	RAL COPPER BROWN RAL8004		
L1	LAMINATE	WILSONART BILTMORE CHERRY 7924K-07		
E1	EDGE BANDING	REHAU BILTMORE CHEERY 7924 3MM		
S1	SOLID SURFACE	LIVINGSTONE MERIDIAN		
S2	GLASS	1/4" SATEN GLASS		
S3	GLASS	1/4" CLEAR		

FINISH SCHEDULE					
SUB-ASSEMBLY	DESIGNATION	DESCRIPTION	BRAND	MATERIAL	
				COLOR	NUMBER
BASE UNIT	KICK BASE	P2			
	BOLTS	STANDARD			
	BODY - MODULAR TIER	L1			
	BODY - LOWER & RECESS	L1			
	BODY - LOWER DRAWERS	L1			
	BODY - CASH WRAP	L1			
	BODY - CASH WRAP UPPER BAND	L1			
	BODY - CASH WRAP PULL-OUT SHELF	L1			
	COUNTER - MODULAR TIER	S1			
	COUNTER - LOWER	S1			
	COUNTER - CASH WRAP	S1			
	CASH WRAP CAP	S1			
	CASH WRAP GLASS	S2			
	EDGE BANDING - MODULAR TIER	E1			
	EDGE BANDING - CASH WRAP	E1			
	EDGE BANDING - CASH WRAP PULL-OUT SHELF	E1			
	EDGE BANDING - LOWER DRAWERS	E1			
	PULLS - CASH WRAP	P3			
	RECESSED STANDARDS - MODULAR TIER	P3			
	GLASS SHELVES	S3			
	SHELVE BRACKETS	P3			
	LOCKS	NICKEL FINISH			
	GROMMETS ELECTRICAL PLASTIC	BEIGE			
	GROMMETS - MERCHANDISER	S1			
	UNDER COUNTER LIGHTS	4000K PURE WHITE LED RIBBON LIGHT			
COLUMN	3"X3" COLUMN	P1			
	LIGHT BOX PANEL	SIGN WHITE ACRYLIC			
	LIGHTING	4000K PURE WHITE LED RIBBON LIGHT			
	LIGHT BOX FRAME	P1			
CANOPY	LIGHT BOX SIDE METAL BAR	P2			
	CANOPY	P1			
	CENTER LIGHT BAR	P2			
	EYE BOLT	STANDARD			
	RECESSED LIGHTING FIXTURE	SILVER			
RECESSED LIGHTING BULB	(17) LED 7W PURE WHITE LIGHT BULB				

JOB NUMBER: R115.3023
 DATE: 2/4/2015
 CLIENT: MACERICH
 PROJECT: DEPTFORD MALL
 DESIGNER: R.WATKINS
 DETAILER: J.VASQUEZ
 PROJECT MANAGER: D.FOWLER
 QUANTITY: SEE P.O.
 DRAWING FILE: MACERICH-DEPTFORD MALL_RMU

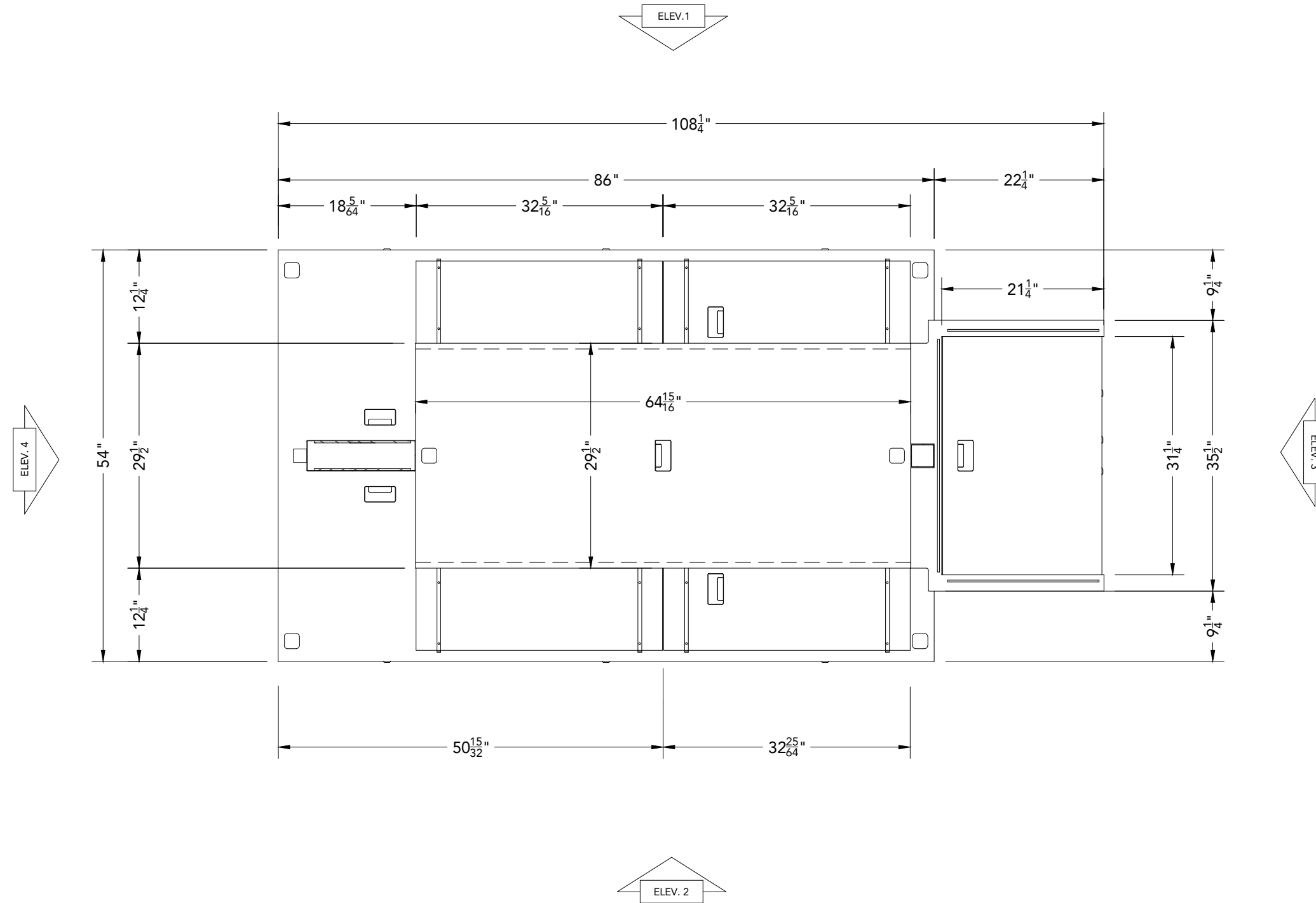
MACERICH
 DEPTFORD MALL
 CORPORATE UNIT

This drawing, and the information contained herein, is the property of STAK Design, INC. It may not be reproduced or copied in whole or in part. Any unauthorized use on any other project may be subject to penalty by law.

STAK DESIGN
 1540 LUNA ROAD
 CARROLLTON, TX 75006
 972.323.0100
 WWW.STAKDESIGN.COM



merchandising diagram



PLAN	PLAN AT COUNTER
1	SCALE: 3/4"=1'-0"

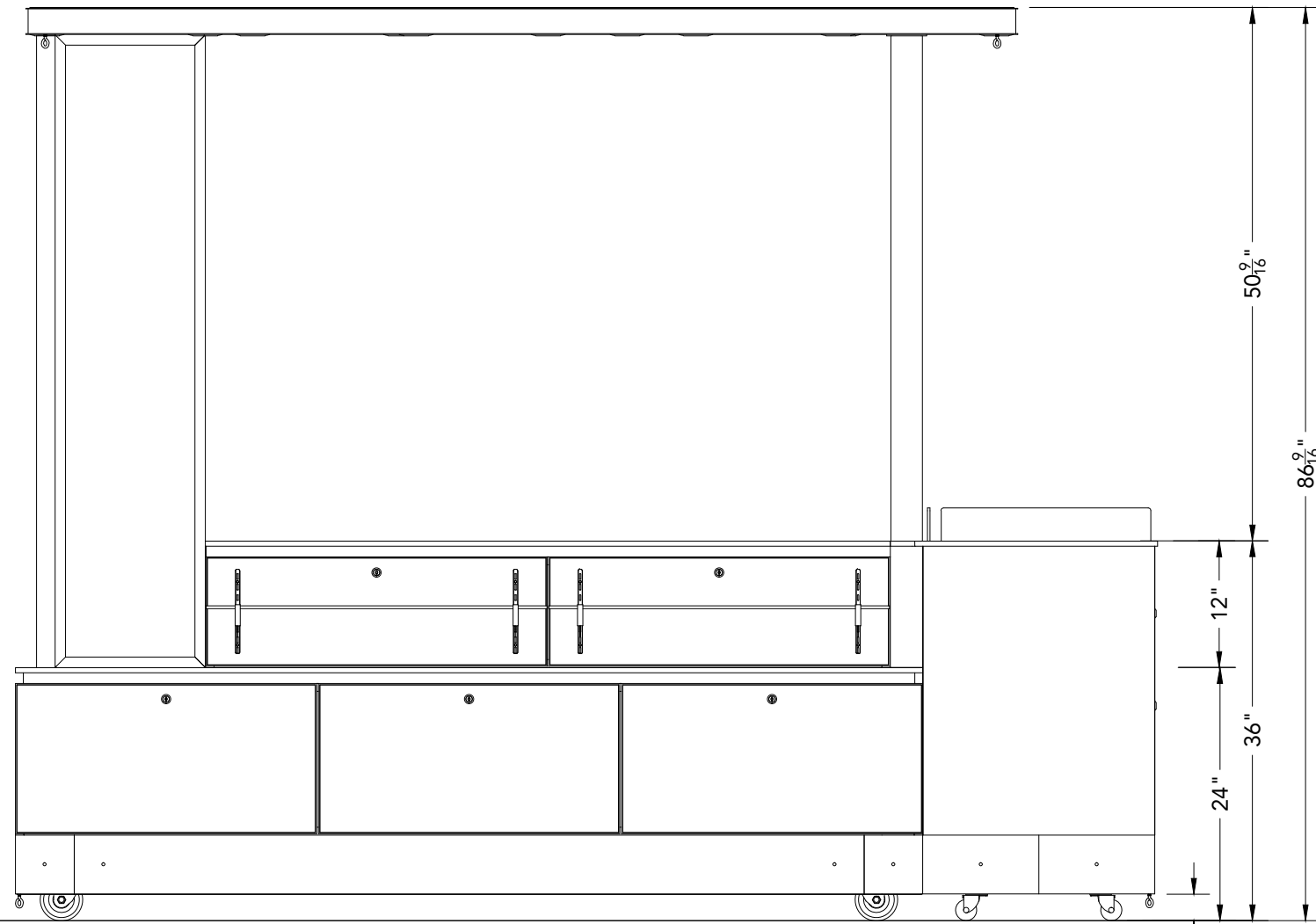
JOB NUMBER:
R115.3023
DATE:
2/4/2015
CLIENT:
MACERICH
PROJECT:
DEPTFORD MALL
DESIGNER:
R.WATKINS
DETAILER:
J.VASQUEZ
PROJECT MANAGER:
D.FOWLER
QUANTITY:
SEE P.O.
DRAWING FILE:
MACERICH-DEPTFORD
MALL_RMU

MACERICH
DEPTFORD MALL
CORPORATE UNIT

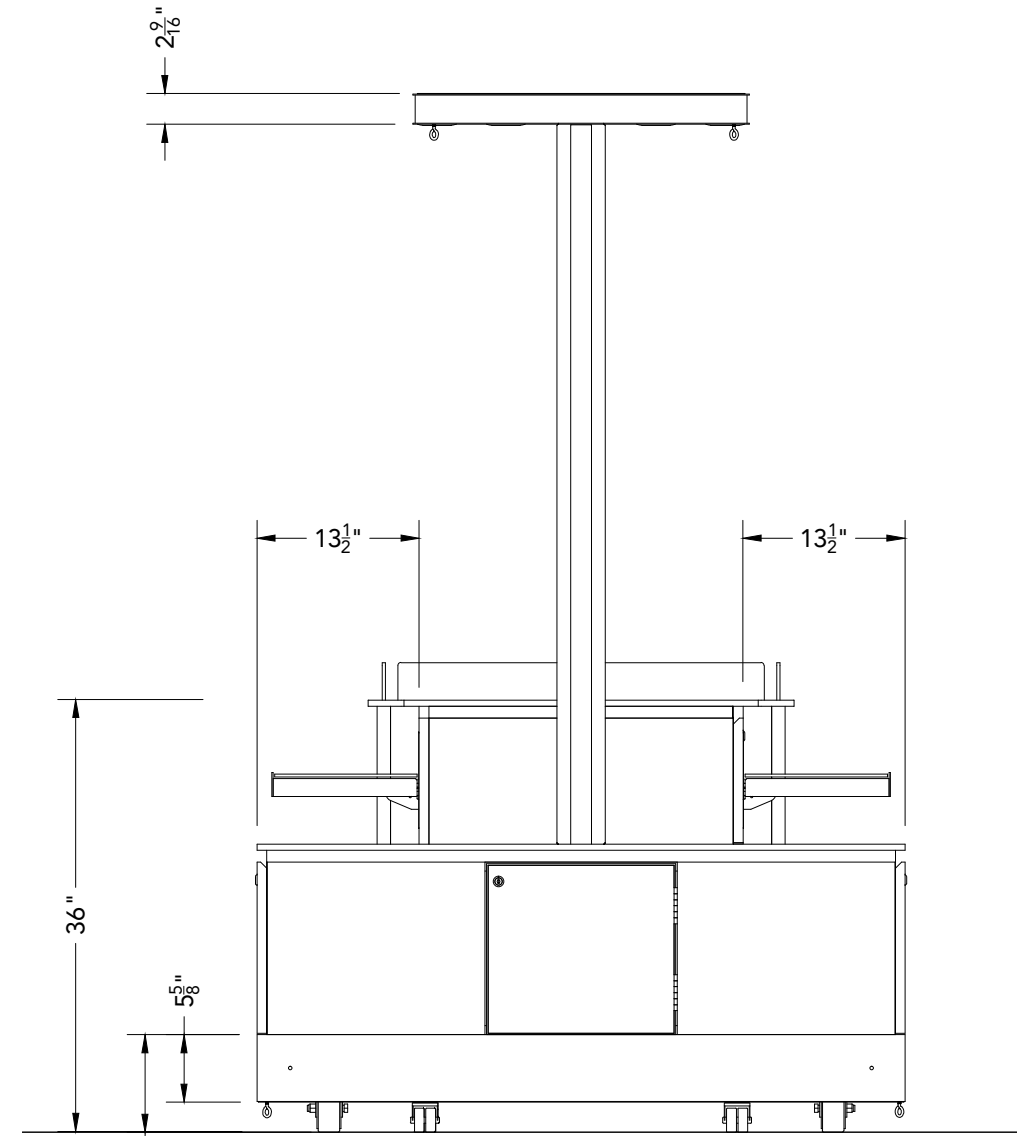
This drawing, and the information contained herein, is the property of STAK Design INC. It may not be reproduced or copied in whole or in part. Any unauthorized use on any other project may be subject to penalty by law.

STAK DESIGN

1540 LUNA ROAD
CARROLLTON, TX 75006
972.323.0100
WWW.STAKDESIGN.COM



ELEV.	ELEVATION-SIDE FRONT
2	SCALE: 3/4"=1'-0"



ELEV.	ELEVATION-STORAGE END
4	SCALE: 3/4"=1'-0"

MACERICH
 DEPTFORD MALL
 CORPORATE UNIT

This drawing, and the information contained herein, is the property of STAK Design INC. It may not be reproduced or copied in whole or in part. Any unauthorized use on any other project may be subject to penalty by law.

STAK DESIGN

1540 LUNA ROAD
 CARROLLTON, TX 75006
 972.323.0100
 WWW.STAKDESIGN.COM



merchandising diagram

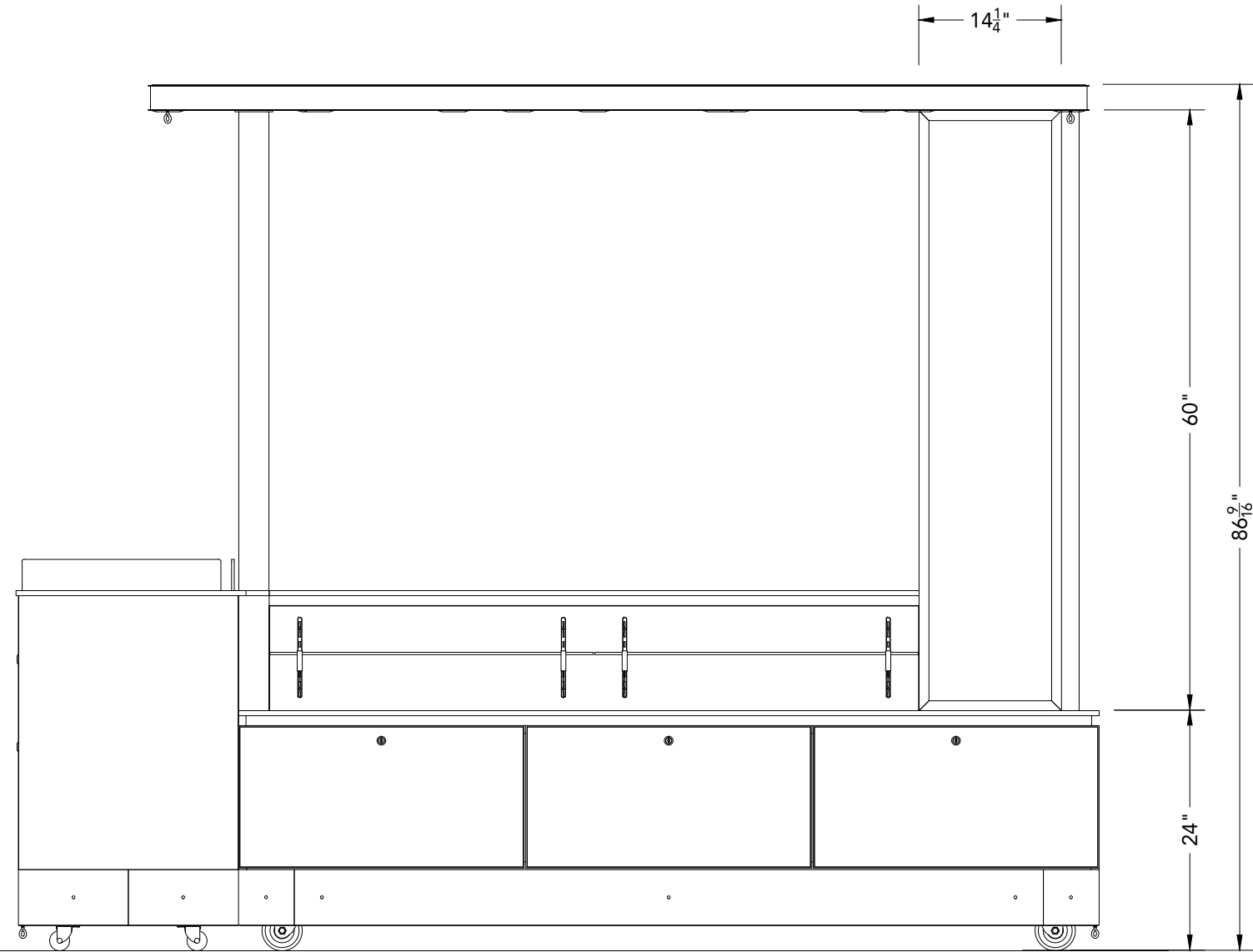
JOB NUMBER: R115.3023
 DATE: 2/4/2015
 CLIENT: MACERICH
 PROJECT: DEPTFORD MALL
 DESIGNER: R.WATKINS
 DETAILER: J.VASQUEZ
 PROJECT MANAGER: D. FOWLER
 QUANTITY: SEE P.O.
 DRAWING FILE: MACERICH-DEPTFORD MALL_RMU

MACERICH
 DEPTFORD MALL
 CORPORATE UNIT

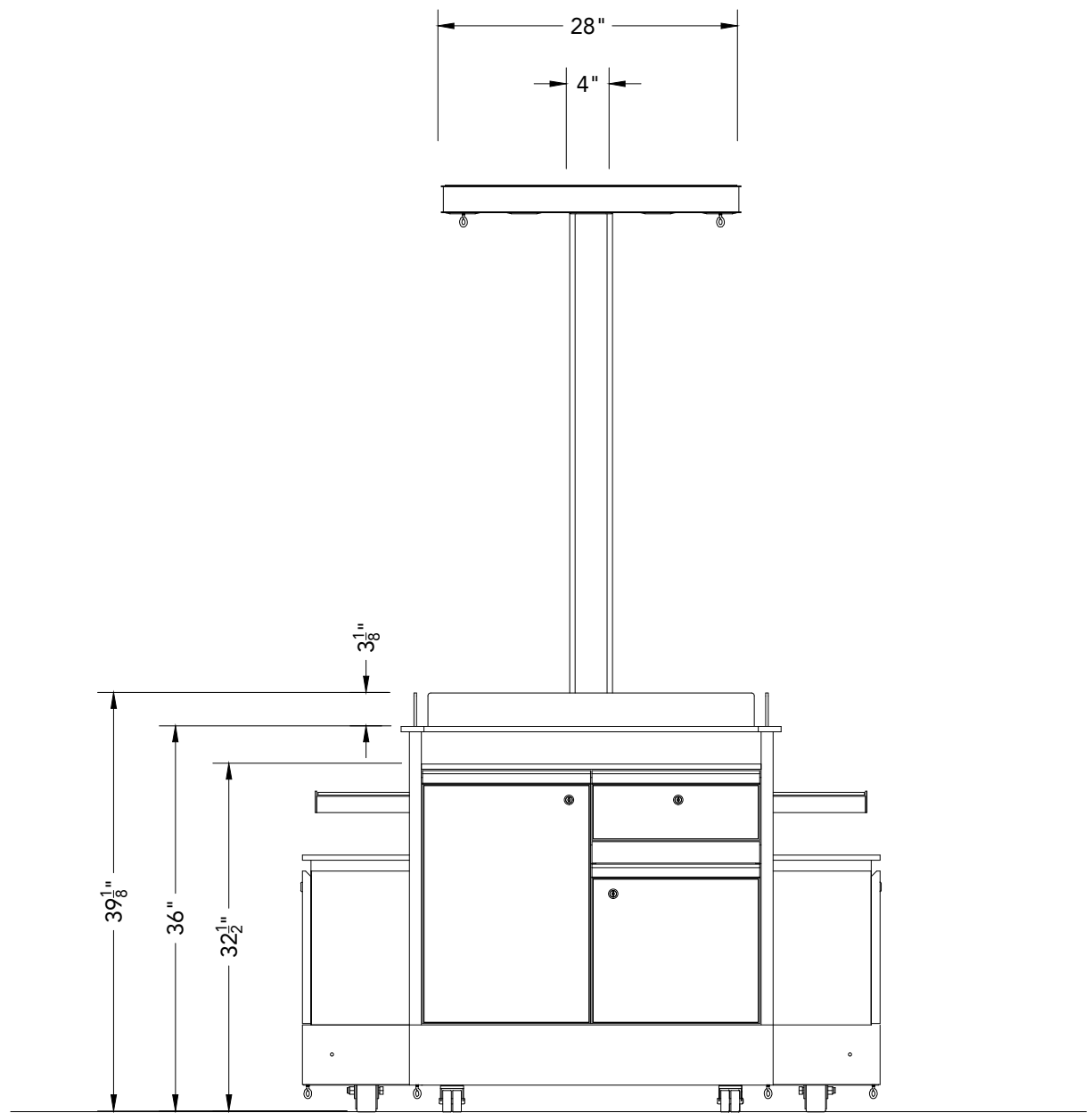
This drawing, and the information contained herein, is the property of STAK Design INC. It may not be reproduced or copied in whole or in part. Any unauthorized use on any other project may be subject to penalty by law.

STAK DESIGN

1540 LUNA ROAD
 CARROLLTON, TX 75006
 972.323.0100
 WWW.STAKDESIGN.COM



ELEV.	ELEVATION-SIDE BACK
1	SCALE: 3/4" = 1'-0"



ELEV.	ELEVATION-CASH STAND
3	SCALE: 3/4" = 1'-0"

 STAK DESIGN®

Macerich

Deptford Mall | Interior RMU
Deptford, NJ 08096

01.29.2015



Approved By: _____
Date: _____

Macerich

Colors may vary from actual samples depending on the equipment on which images are viewed and printed. Please reference the actual sample for a true representation.

Deptford Mall

01.29.2015

RI15.3023

Interior RMU

 **STAK DESIGN**[®]

©2010 STAK Design. All design ideas, arrangements and plans indicated or represented by this drawing are owned by, and the property of, STAK Design, Inc. and were created and developed for use on, and in connection with the specific project. None of such designs, images, arrangements or plans shall be used or disclosed to any person, firm or corporation for any purpose whatsoever without the permission of STAK Design.



Approved By: _____

Date: _____

Macerich

Colors may vary from actual samples depending on the equipment on which images are viewed and printed. Please reference the actual sample for a true representation.

Deptford Mall

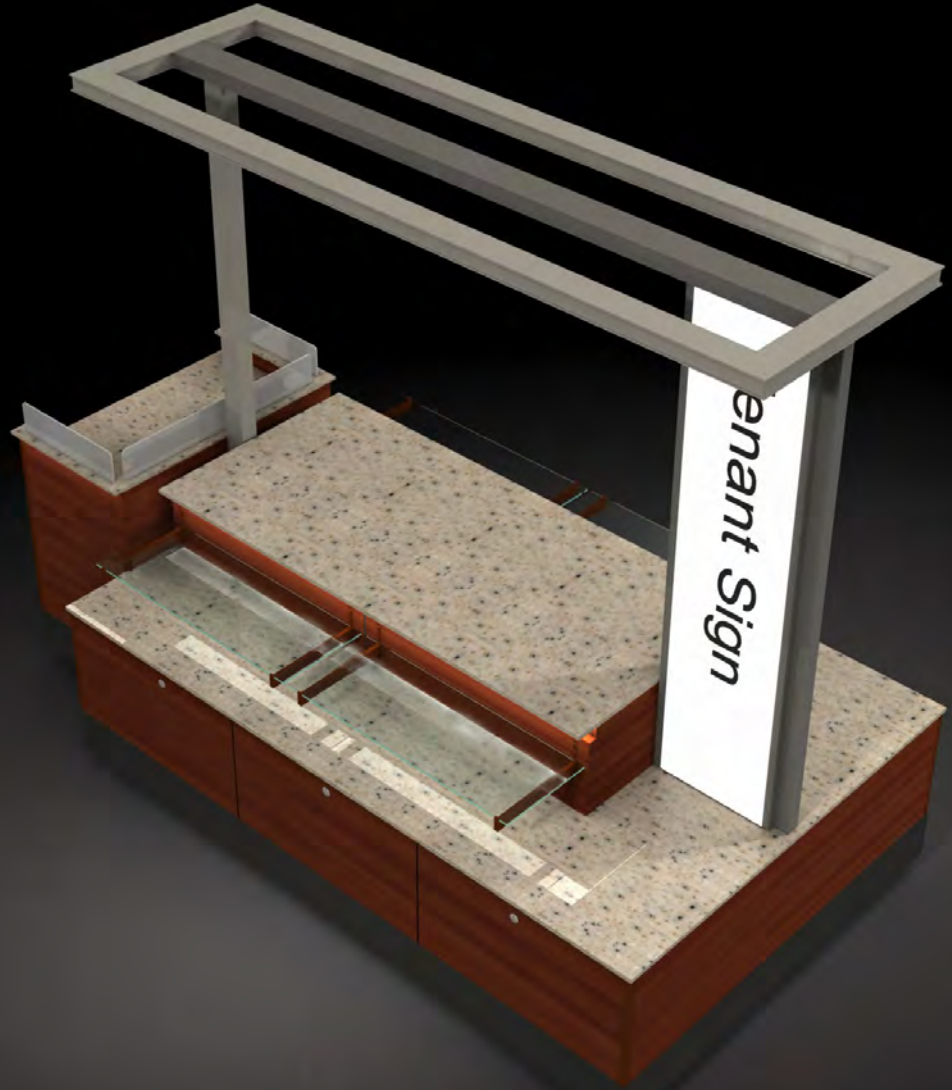
01.29.2015

R15.3023

Interior RMU

 **STAK DESIGN**[®]

©2010 STAK Design. All design ideas, arrangements and plans indicated or represented by this drawing are owned by, and the property of, STAK Design, Inc. and were created and developed for use on, and in connection with the specific project. None of such designs, images, arrangements or plans shall be used or disclosed to any person, firm or corporation for any purpose whatsoever without the permission of STAK Design.



Approved By: _____
Date: _____

Macerich

Colors may vary from actual samples depending on the equipment on which images are viewed and printed. Please reference the actual sample for a true representation.

Deptford Mall

01.29.2015

R15.3023

Interior RMU

 **STAK DESIGN**[®]

©2010 STAK Design. All design ideas, arrangements and plans indicated or represented by this drawing are owned by, and the property of, STAK Design, Inc. and were created and developed for use on, and in connection with the specific project. None of such designs, images, arrangements or plans shall be used or disclosed to any person, firm or corporation for any purpose whatsoever without the permission of STAK Design.



Powder Coat RAL 8004



Laminate-Wilsonart
Biltmore Cherry



Powder Coat
P15 Iron Glimmer



Solid Surface-Meridian
Living Stone



Powder Coat
P7 Iron Glimmer



Edge Banding
Biltmore Cherry



Counter Stool
Stain:
STAK Light
Cherry



Counter Stool
Upholstery:
Gun Metal - US 392



Stool

Approved By: _____

Date: _____

Macerich

Colors may vary from actual samples depending on the equipment on which images are viewed and printed. Please reference the actual sample for a true representation.