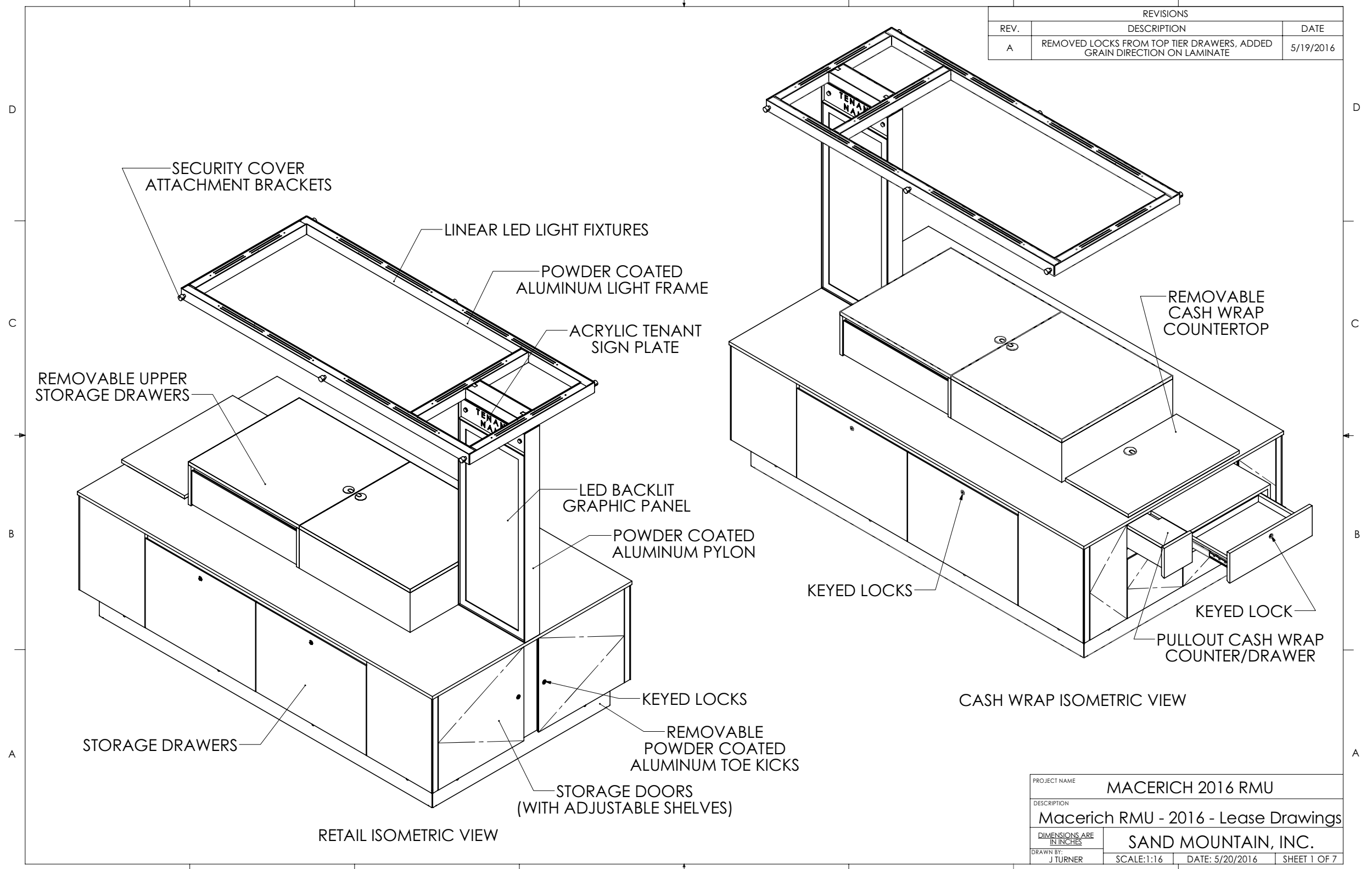


REVISIONS		
REV.	DESCRIPTION	DATE
A	REMOVED LOCKS FROM TOP TIER DRAWERS, ADDED GRAIN DIRECTION ON LAMINATE	5/19/2016

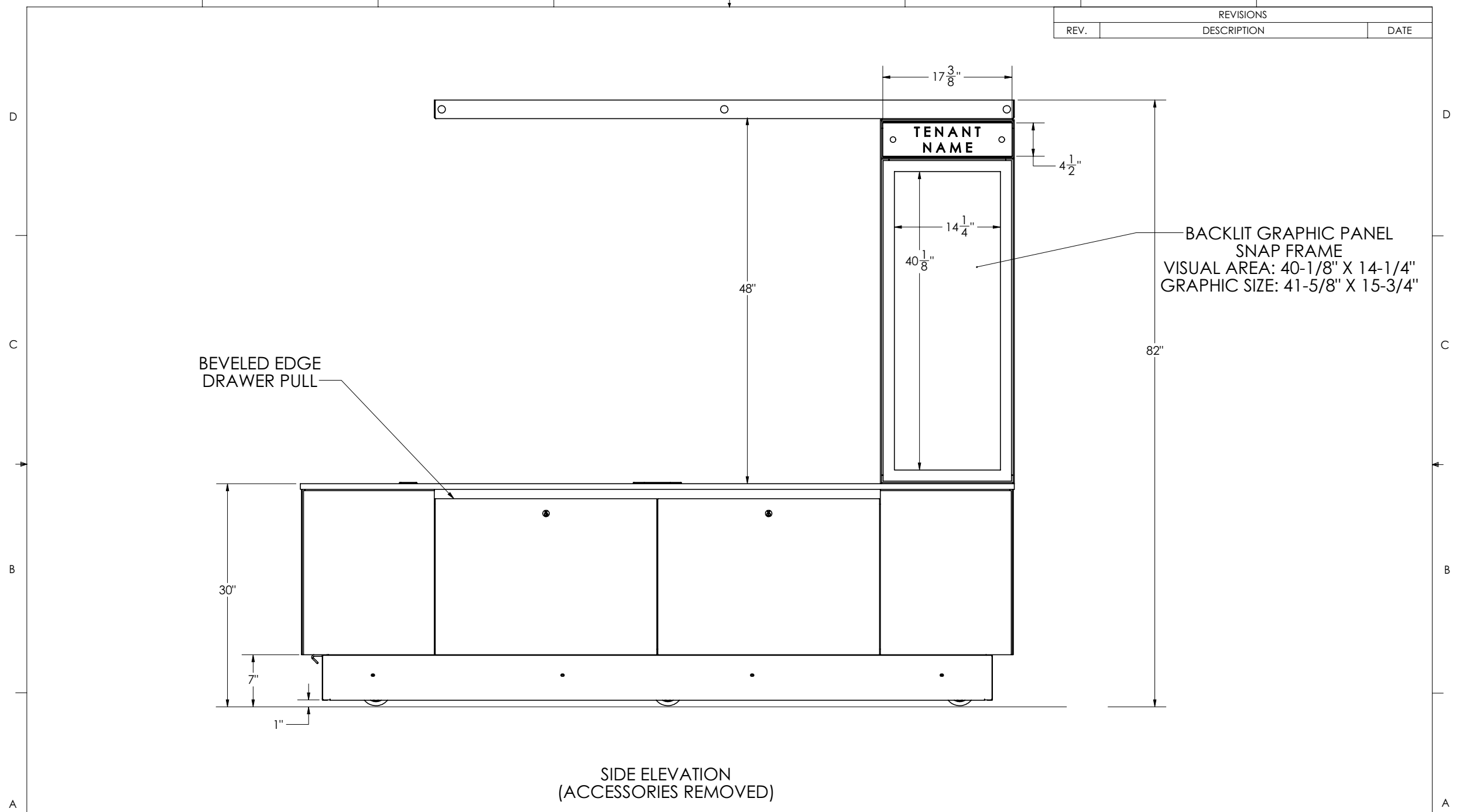


RETAIL ISOMETRIC VIEW

CASH WRAP ISOMETRIC VIEW

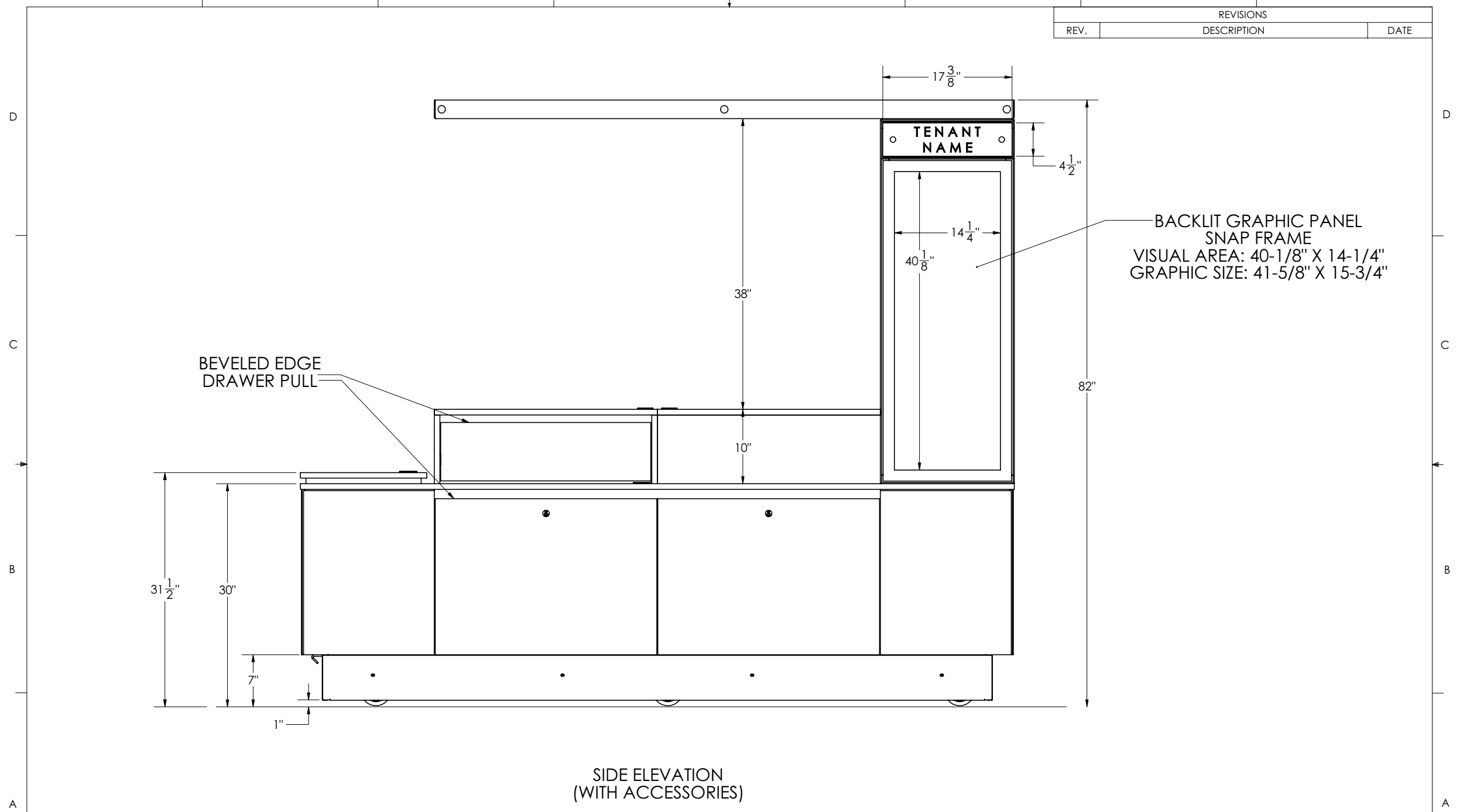
PROJECT NAME	MACERICH 2016 RMU		
DESCRIPTION	Macerich RMU - 2016 - Lease Drawings		
DIMENSIONS ARE IN INCHES	SAND MOUNTAIN, INC.		
DRAWN BY: J TURNER	SCALE: 1:16	DATE: 5/20/2016	SHEET 1 OF 7

REVISIONS		
REV.	DESCRIPTION	DATE



PROJECT NAME	MACERICH 2016 RMU		
DESCRIPTION	Macerich RMU - 2016 - Lease Drawings		
DIMENSIONS ARE IN INCHES	SAND MOUNTAIN, INC.		
DRAWN BY: J TURNER	SCALE: 1:12	DATE: 5/20/2016	SHEET 2 OF 7

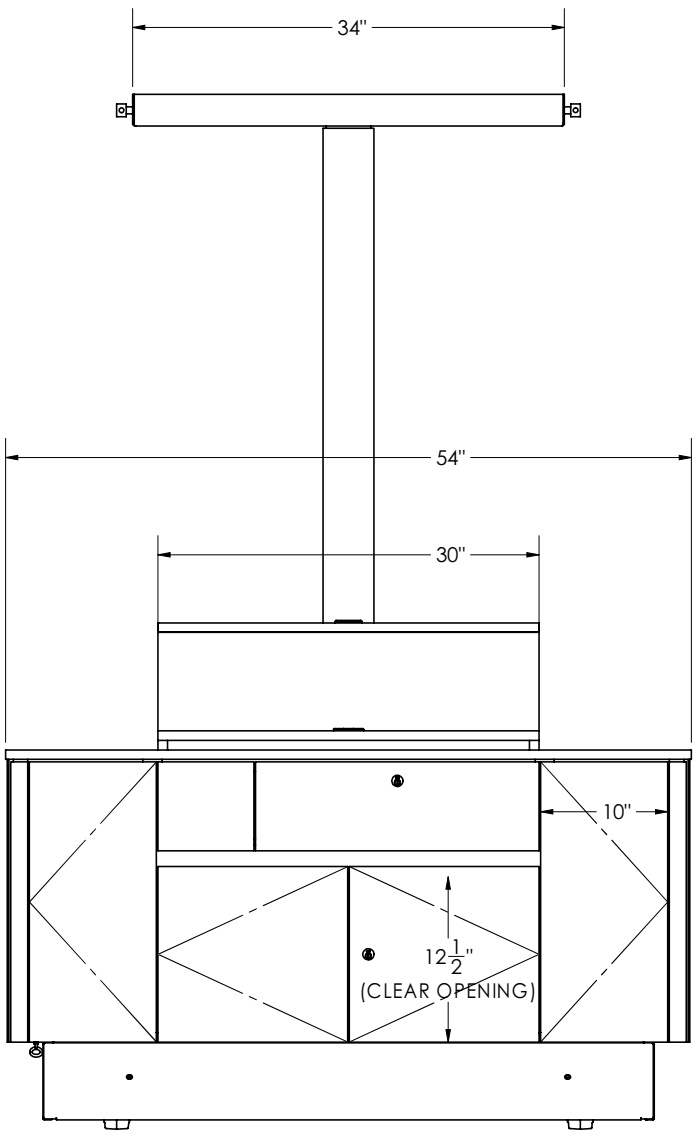
REVISIONS		
REV.	DESCRIPTION	DATE



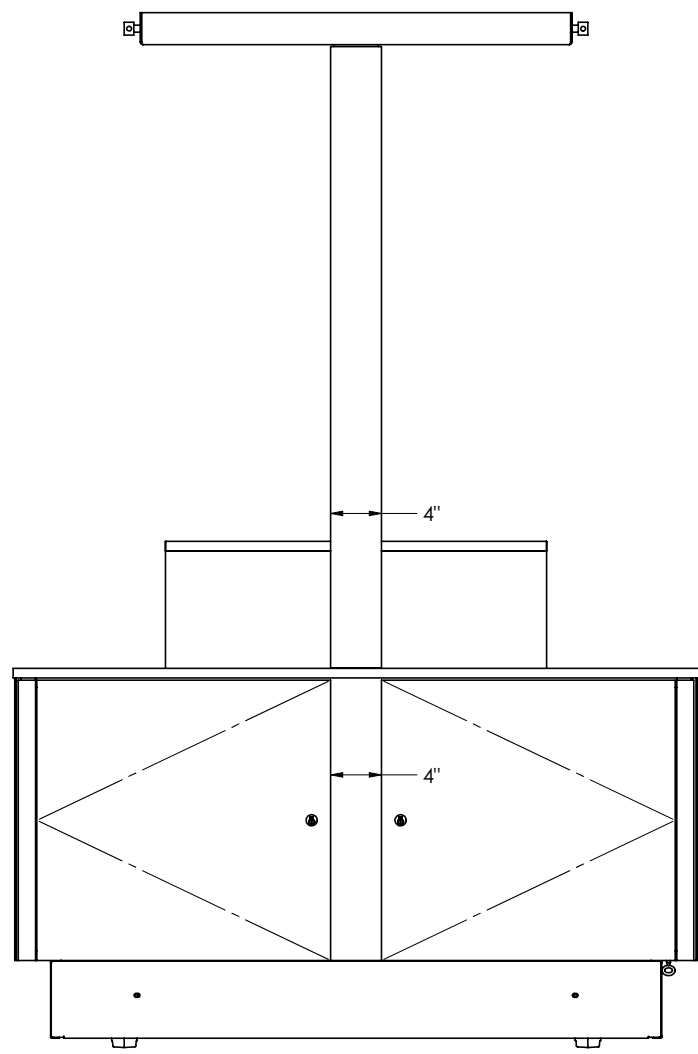
SIDE ELEVATION
(WITH ACCESSORIES)

PROJECT NAME	MACERICH 2016 RMU		
DESCRIPTION	Macerich RMU - 2016 - Lease Drawings		
DIMENSIONS ARE IN INCHES	SAND MOUNTAIN, INC.		
DRAWN BY: J TURNER	SCALE: 1:12	DATE: 5/20/2016	SHEET 3 OF 7

REVISIONS		
REV.	DESCRIPTION	DATE



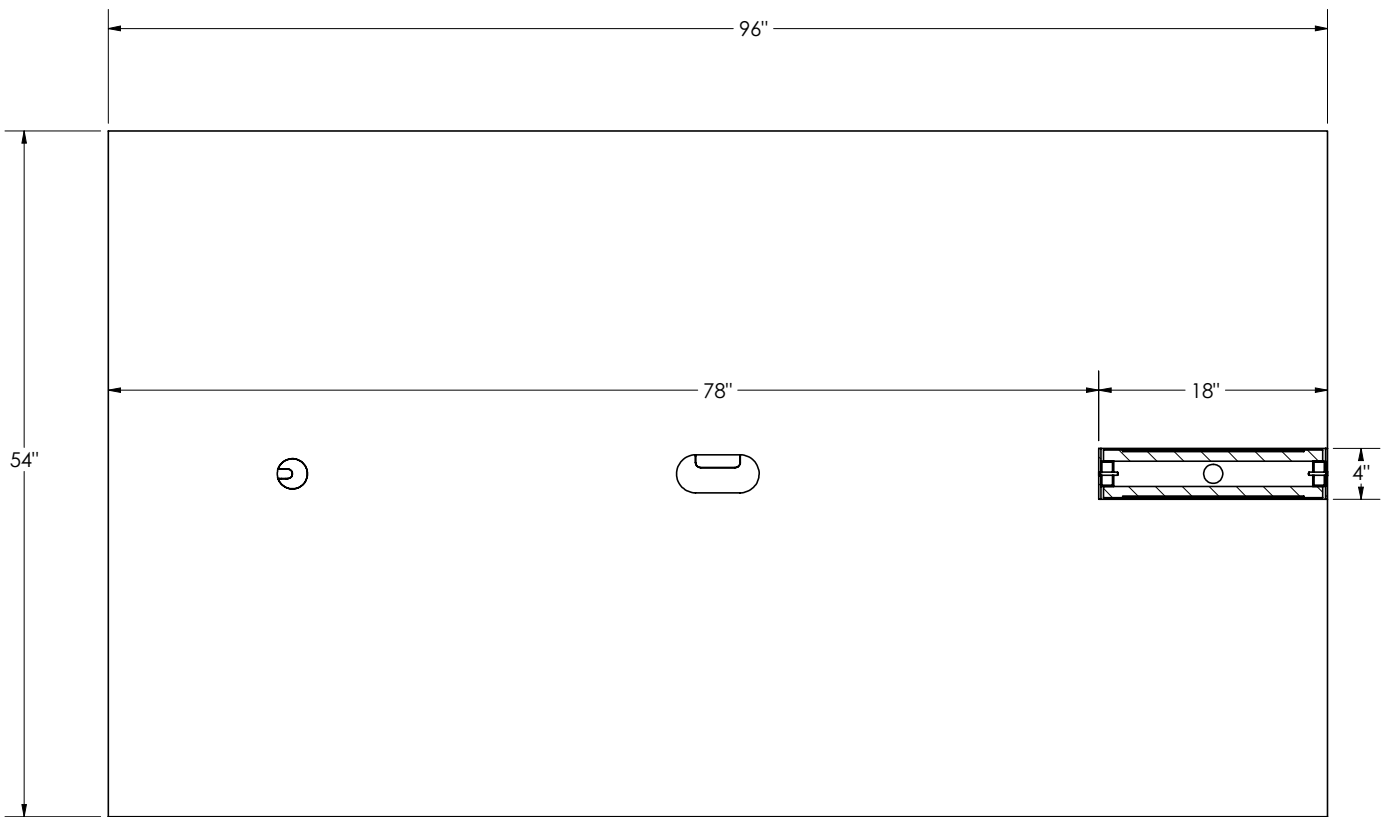
END ELEVATION
CASH WRAP END



END ELEVATION
RETAIL END

PROJECT NAME	MACERICH 2016 RMU		
DESCRIPTION	Macerich RMU - 2016 - Lease Drawings		
DIMENSIONS ARE IN INCHES	SAND MOUNTAIN, INC.		
DRAWN BY: J TURNER	SCALE: 1:12	DATE: 5/20/2016	SHEET 4 OF 7

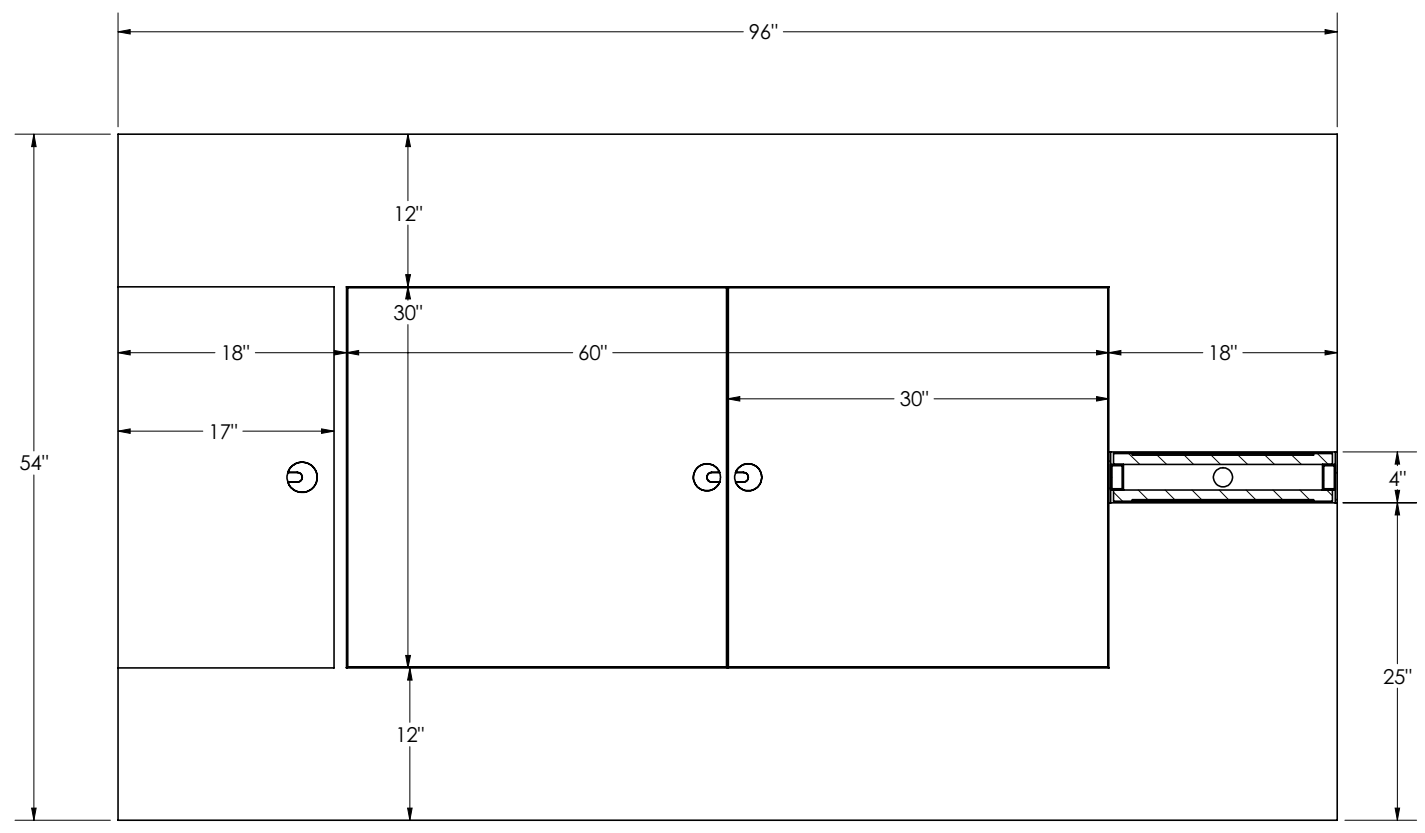
REVISIONS		
REV.	DESCRIPTION	DATE



COUNTER PLAN
(ACCESSORIES REMOVED)

PROJECT NAME	MACERICH 2016 RMU		
DESCRIPTION	Macerich RMU - 2016 - Lease Drawings		
DIMENSIONS ARE IN INCHES	SAND MOUNTAIN, INC.		
DRAWN BY: J TURNER	SCALE: 1:12	DATE: 5/20/2016	SHEET 5 OF 7

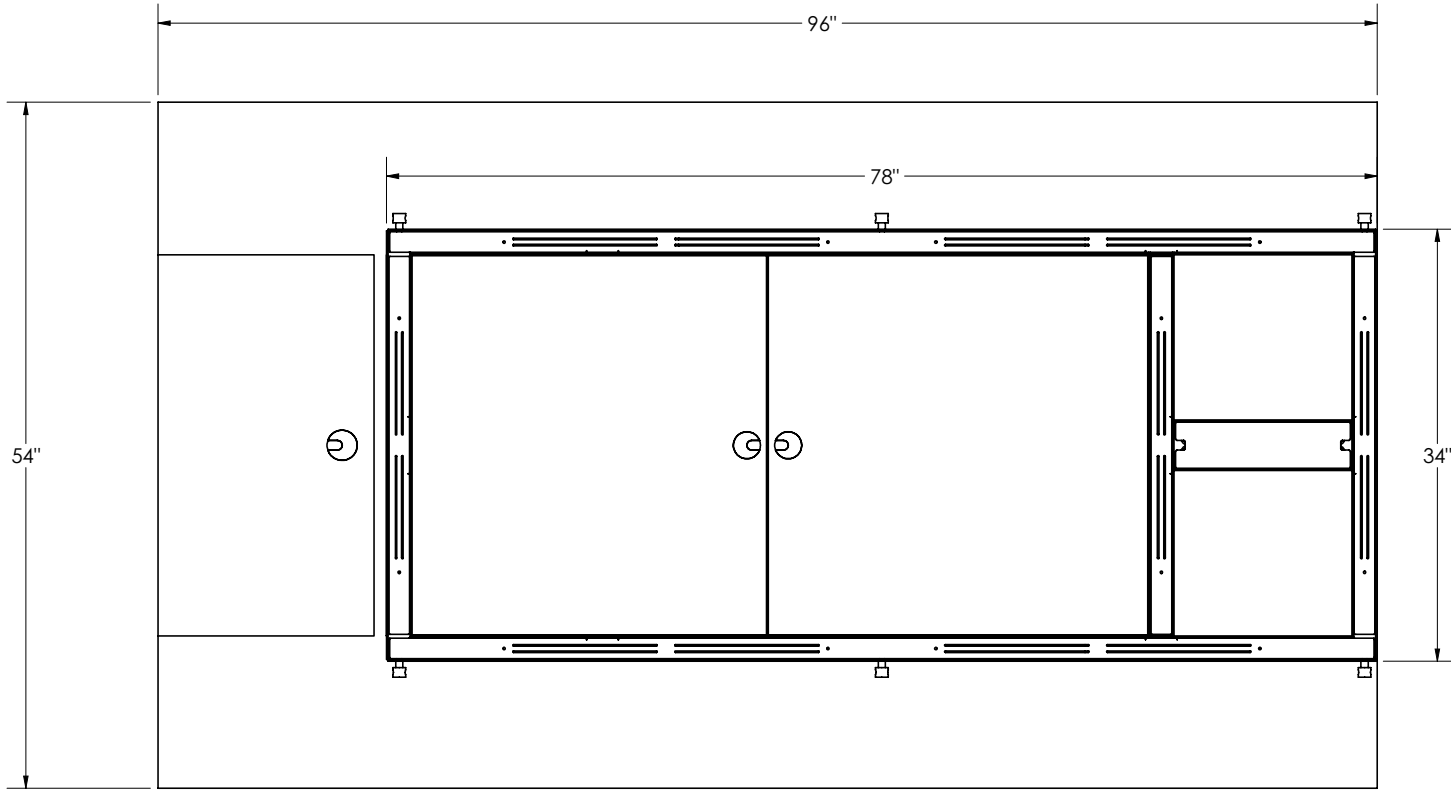
REVISIONS		
REV.	DESCRIPTION	DATE



COUNTER PLAN
(WITH ACCESSORIES)

PROJECT NAME	MACERICH 2016 RMU		
DESCRIPTION	Macerich RMU - 2016 - Lease Drawings		
DIMENSIONS ARE IN INCHES	SAND MOUNTAIN, INC.		
DRAWN BY: J TURNER	SCALE: 1:12	DATE: 5/20/2016	SHEET 6 OF 7

REVISIONS		
REV.	DESCRIPTION	DATE



PLAN VIEW

PROJECT NAME				MACERICH 2016 RMU			
DESCRIPTION				Macerich RMU - 2016 - Lease Drawings			
DIMENSIONS ARE IN INCHES				SAND MOUNTAIN, INC.			
DRAWN BY:		SCALE: 1:12		DATE: 5/20/2016		SHEET 7 OF 7	
J TURNER							

REVISIONS		
REV.	DESCRIPTION	DATE

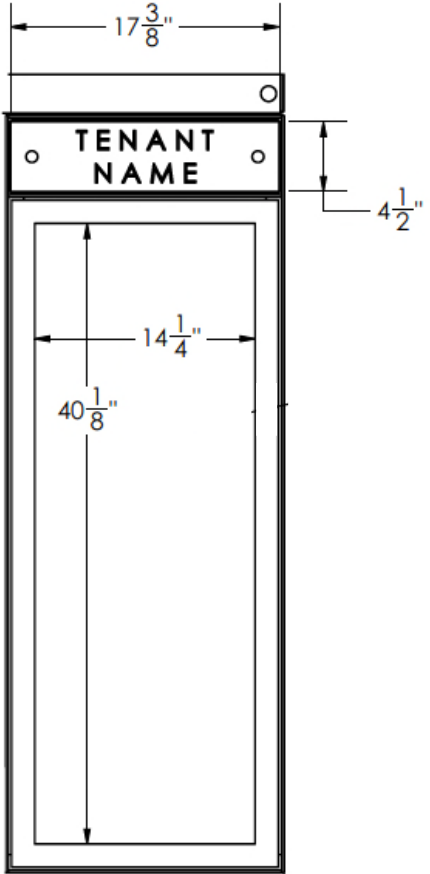
BACKLIT GRAPHIC GUIDLINES:

Tenant must submit ALL graphics for approval
 Image must be a professional printable image with 300bpi or higher
 No wording permitted on the image (unless the image displays the product bottle)
 Graphic must reflect the tenants use

TENANT NAME GUIDLINES:

Tenant name must match the DBA on the Specialty Lease Agreement
 Font: Helvetica
 Material: Vinyl
 Color: Black

BACKLIT GRAPHIC EXAMPLES:



BACKLIT GRAPHIC PANEL
 SNAP FRAME
 VISUAL AREA: 40-1/8" X 14-1/4"
 GRAPHIC SIZE: 41-5/8" X 15-3/4"

PROJECT NAME	MACERICH 2016 RMU		
DESCRIPTION	Macerich RMU - 2016 - Lease Drawings		
DIMENSIONS ARE IN INCHES	SAND MOUNTAIN, INC.		
DRAWN BY: J TURNER	SCALE: 1:12	DATE: 5/20/2016	SHEET 2 OF 7

Macerich 2016-Danbury

RMU Finishes

Powder Coat:

- Tiger Drylac- P3 Iron Glimmer 049/70200, fine texture

Laminate:

- Wilsonart 7966k-12 5th Avenue Elm ****Vertical Grain**** (main cabinet)
- Wilsonart Solid Core D427 Linen (upper tier)

Counter Top:

- Caesarstone 2230 Linen