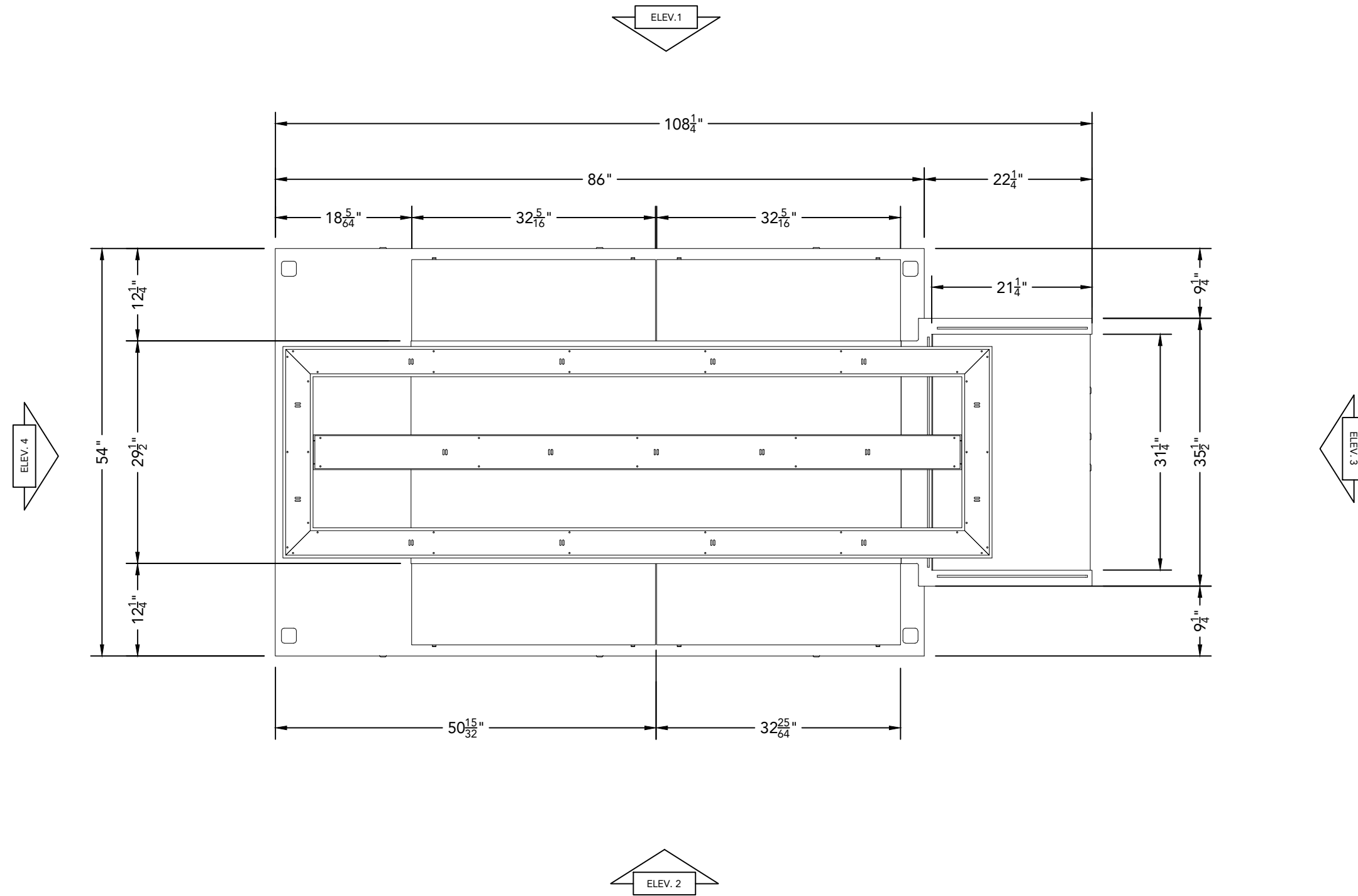


merchandising diagram



PLAN	PLAN AT COUNTER
1	SCALE: 3/4" = 1'-0"

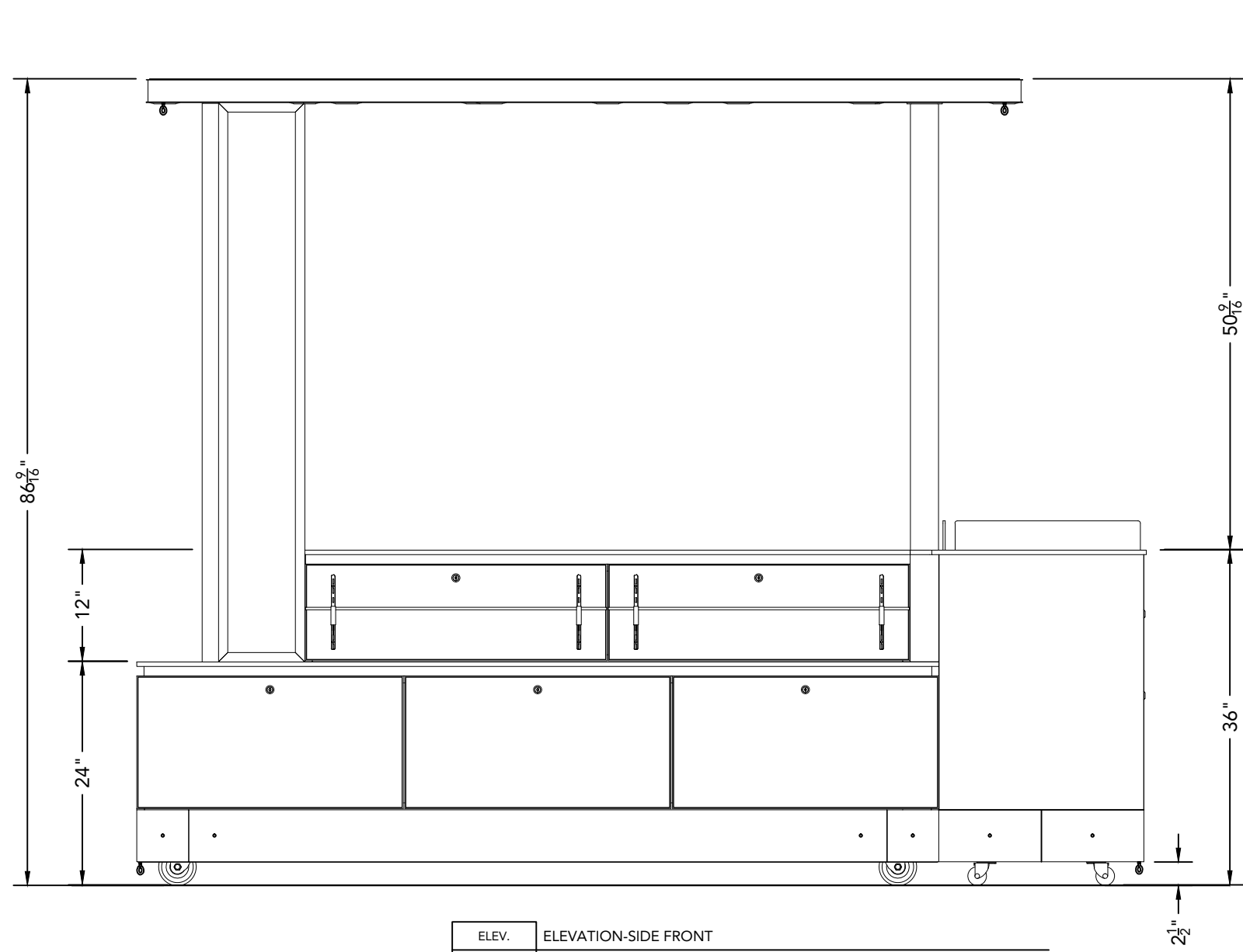
JOB NUMBER: R14.3006  
 DATE: 5.7.2014  
 CLIENT: MACERICH  
 PROJECT: ARROWHEAD TOWNE CENTER  
 DESIGNER: Dan Clark  
 DETAILER: J.VASQUEZ  
 PROJECT MANAGER: L.PATZ  
 QUANTITY: 24  
 DRAWING FILE: MACERICH-ARROWHEAD TOWNE CENTER\_RMU

MACERICH  
 ARROWHEAD TOWNE CENTER  
 CORPORATE UNIT

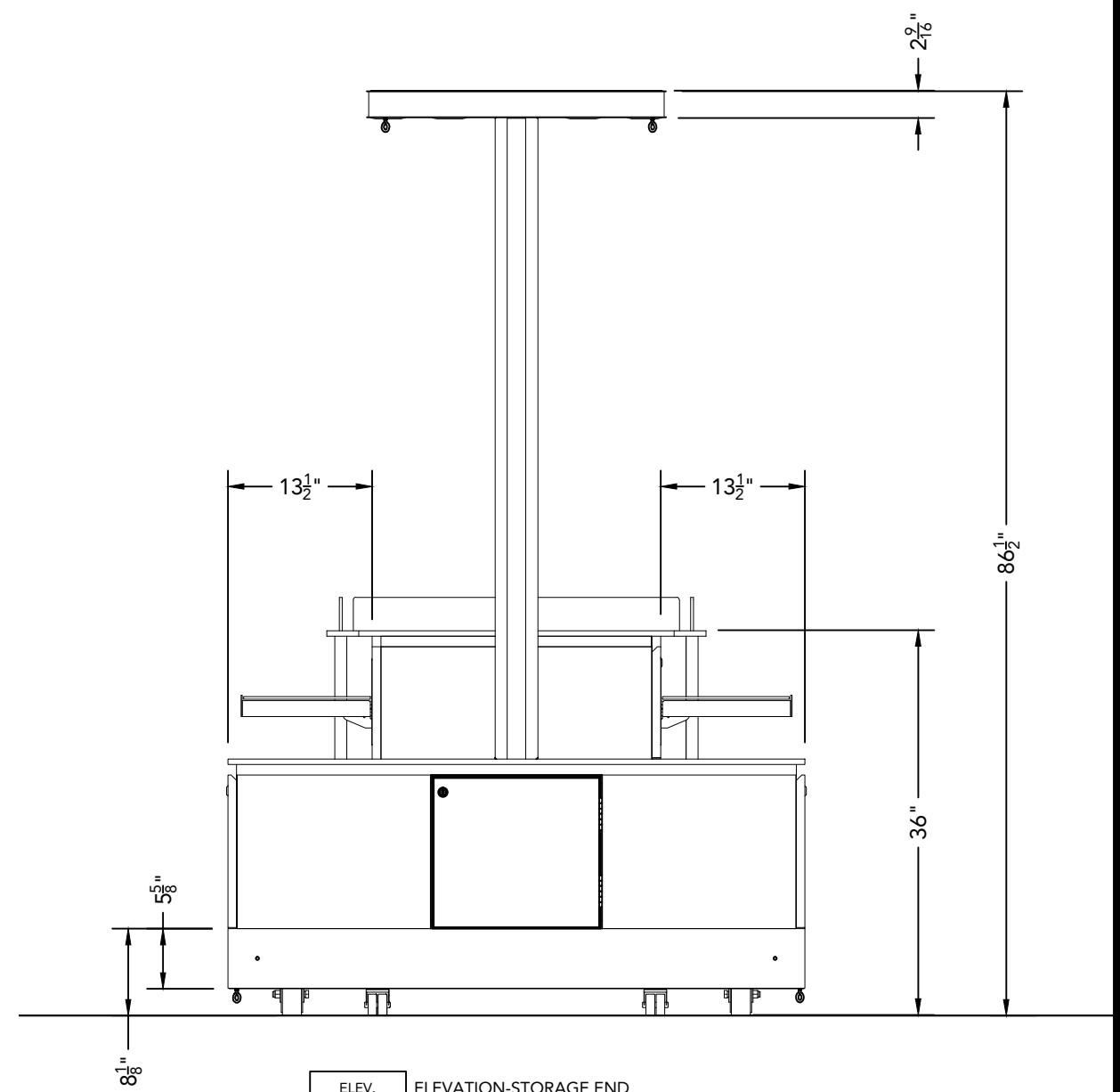
This drawing, and the information contained herein, is the property of STAK Design INC. It may not be reproduced or copied in whole or in part. Any unauthorized use on any other project may be subject to penalty by law.

**STAK DESIGN**

1540 LUNA ROAD  
 CARROLLTON, TX 75006  
 972.323.0100  
 WWW.STAKDESIGN.COM



ELEV.	ELEVATION-SIDE FRONT
2	SCALE: 3/4"=1'-0"



ELEV.	ELEVATION-STORAGE END
4	SCALE: 3/4"=1'-0"

MACERICH  
 ARROWHEAD TOWNE CENTER  
 CORPORATE UNIT

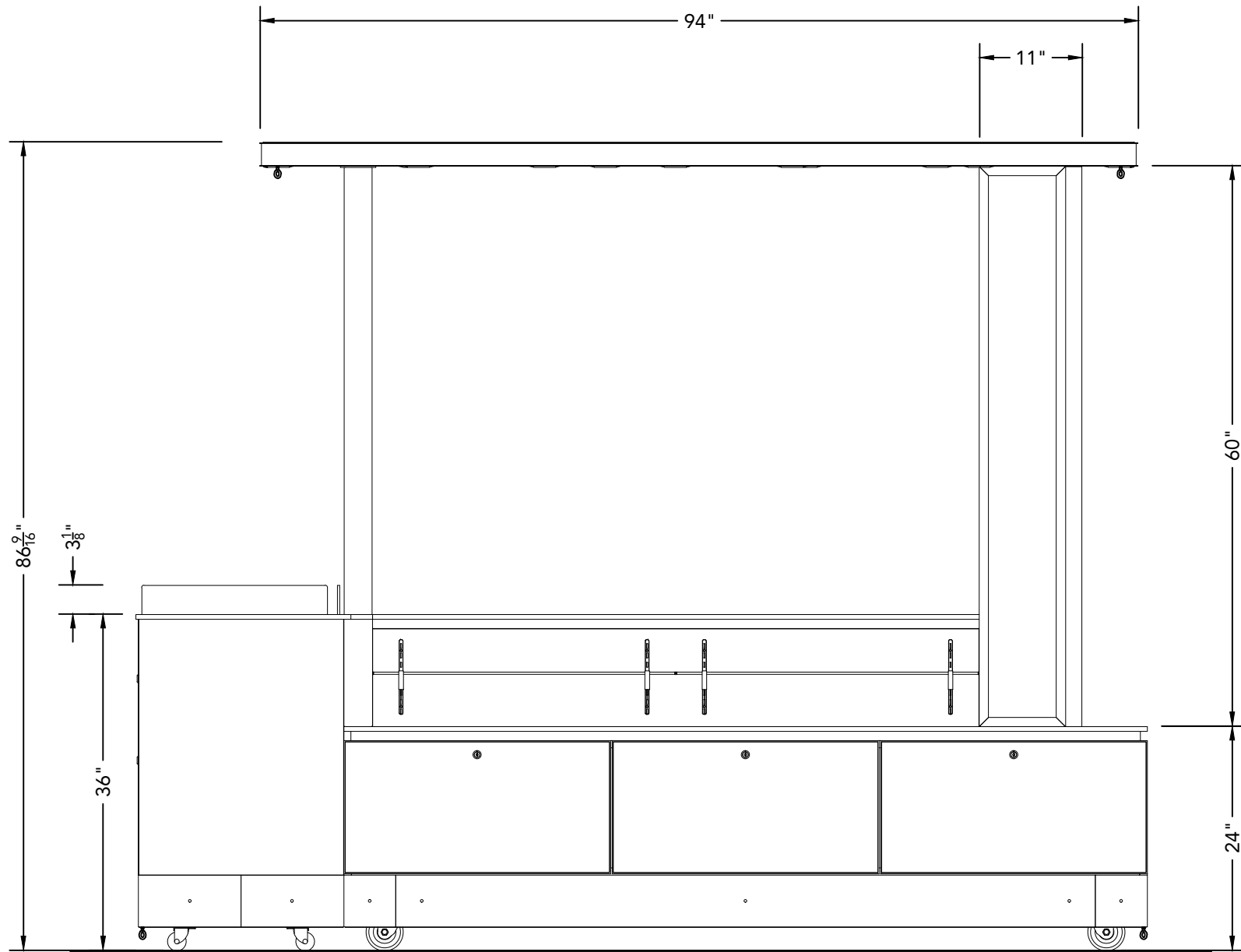
This drawing, and the information contained herein, is the property of STAK Design INC. It may not be reproduced or copied in whole or in part. Any unauthorized use on any other project may be subject to penalty by law.



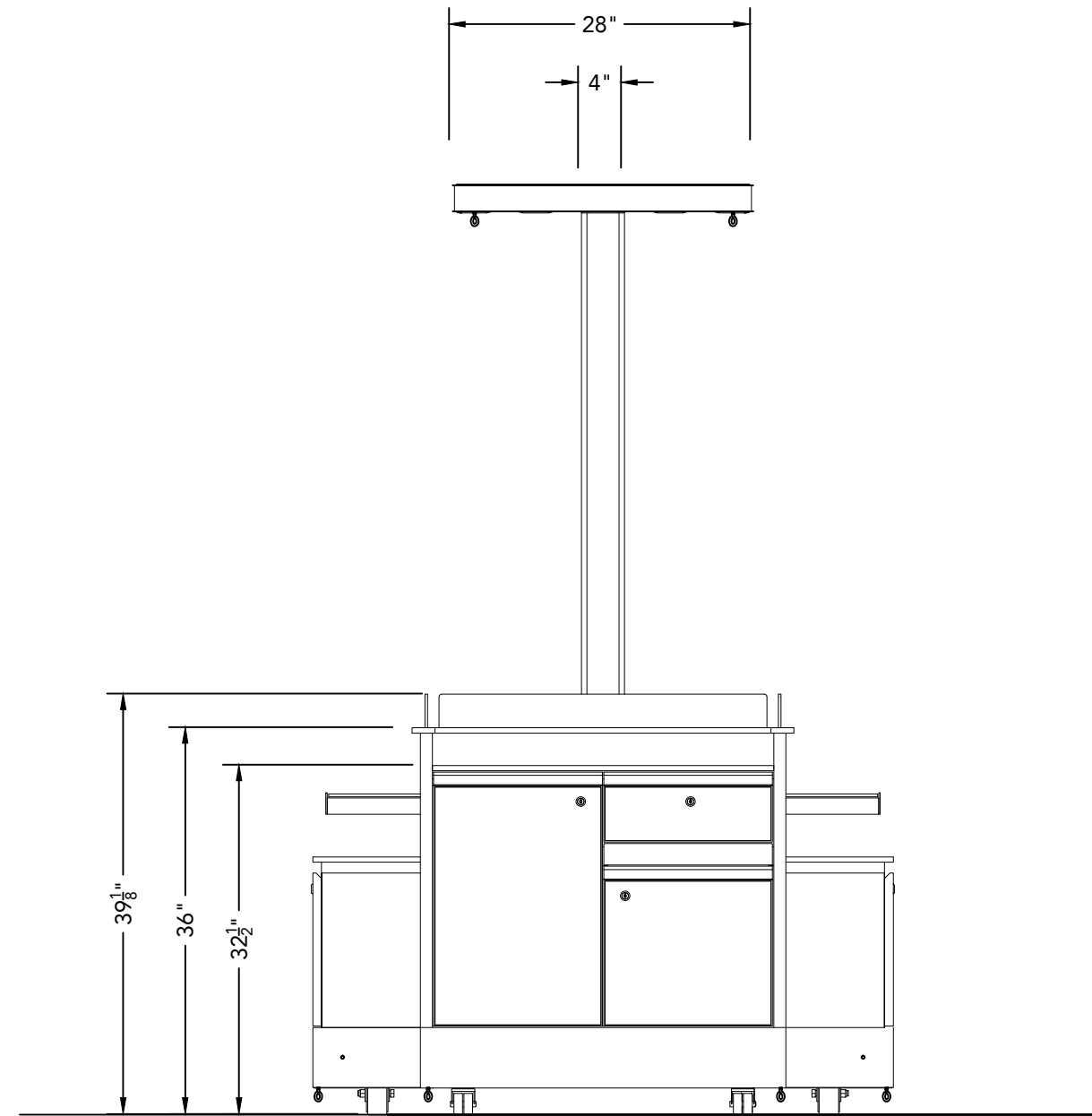
1540 LUNA ROAD  
 CARROLLTON, TX 75006  
 972.323.0100  
 WWW.STAKDESIGN.COM



merchandising diagram



ELEV.	ELEVATION-SIDE BACK
1	SCALE: 3/4" = 1'-0"



ELEV.	ELEVATION-CASH STAND
3	SCALE: 3/4" = 1'-0"

JOB NUMBER: R114.3006  
 DATE: 5.7.2014  
 CLIENT: MACERICH  
 PROJECT: ARROWHEAD TOWNE CENTER  
 DESIGNER: Dan Clark  
 DETAILER: J.VASQUEZ  
 PROJECT MANAGER: L.PATZ  
 QUANTITY: 24  
 DRAWING FILE: MACERICH-ARROWHEAD TOWN CENTER\_RMU

MACERICH  
 ARROWHEAD TOWNE CENTER  
 CORPORATE UNIT

This drawing, and the information contained herein, is the property of STAK Design INC. It may not be reproduced or copied in whole or in part. Any unauthorized use on any other project may be subject to penalty by law.

STAK DESIGN

1540 LUNA ROAD  
 CARROLLTON, TX 75006  
 972.323.0100  
 WWW.STAKDESIGN.COM

